

# Application of MARKAL model to optimisation of electricity generation structure in Poland in the long-term time horizon

## Part I – concept of the model

### Author

Marcin Jaskólski

### Keywords

MARKAL, linear programming, energy system modelling

### Abstract

In this paper, which inaugurates a series of papers on this subject, a concept is proposed of a power system development model with regard to the technological structure of electricity generation in Poland, in the long-term time perspective – until 2060. The model is based on the mathematical structure of the MARKAL optimization package. The paper presents a brief description of the tool used in the model research. In addition, the optimization criterion is described and the structure of the Reference Energy System is presented.

## 1. Introduction

In this paper, which inaugurates a series of papers on this subject, a concept is proposed of a power system development model that covers the structure of electricity and heat generation in Poland. This includes the commercial electricity generation, i.e. system power plants, cogeneration plants, and heating plants, complemented by generation from distributed sources, such as independent power plants and renewable energy sources. Development of the heat balance and the structure of its production is due to the need to take into account cogeneration plants, in the model of the energy system for Poland.

The tool used in the model research was a MARKAL (MARKet ALlocation) optimization package for programming energy system development models, with particular consideration of the generation structure, based on the energy balance [7, 8, 9]. This package was modified by the author and adapted to conduct analyses aimed at consideration of mechanisms to promote renewable energy sources and highly efficient cogeneration. The methodology of modelling these mechanisms was the subject of a dissertation [4], and was also published in papers [5, 6]. The model also includes the CO<sub>2</sub> emission reduction mechanism in place in the EU, i.e. EU ETS – European Union Emission Trading Scheme, and domestic system of SO<sub>2</sub> and NO<sub>x</sub> emissions reduction.

In its standard version the MARKAL is a linear programming model based on minimizing the net present value of the cost of energy supply to the end user. Decision variables include, among others: the installed capacity and annual output from processing technologies of various forms of energy. The operating principle is the following: the model's user provides the current and

forecasted demand for final or useful energy, and the optimization procedure selects the least-cost way to supply the energy to the recipient, subject to the constraints assumed for technical, economic, and environmental impacts of the energy system's operation. Any capital expenditure proposed in the model is considered optimal throughout the entire considered time horizon, and not in the current time period. Values selected in the model's standard version include the installed capacity and outputs from generation sources of the given technology, while neither the installed capacity of the generation units included in the sources are calculated, nor their numbers determined. A schematic diagram of the structure of the input data and results obtained using the MARKAL model is shown in fig. 1. The optimization criteria applied to the MARKAL model are described in chapter 2.

The model's time horizon is divided into five-year periods. The obtained assumptions and modelling results are balanced on an annual basis, but at the same time they are representative for the entire five-year period. The base period, i.e. the first period of the model analysis, covers the years 2005–2009. In the MARKAL model this period is marked with its first year (2005). It is a time interval, all of which relates to the past and for which historical data is given. The planning time horizon was set until 2060.

The energy system is meant as a network of the interconnections of energy resources, in various forms, with end users through a set of energy technologies. In the described model the structure of connections of flows of various energy carriers with the corresponding technologies is called a Reference Energy System (RES). The Reference Energy System is described in chapter 3.

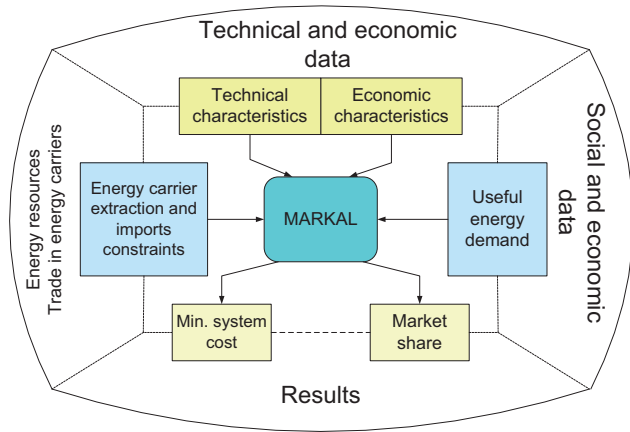


Fig. 1. Schematic diagram of the structure of the model built using MARKAL package. Developed based on [7]

The model's discount rate is set for the entire system at 10%. The retail price index, according to which economic indicators in the model are recalculated for 2009, is 2.5% per annum and is constant throughout the time horizon. The EUR to PLN exchange rate applied is: 1 EUR = 4.00 PLN.

The following units are adopted in the model: energy unit = 1 TJ; power unit = 1 MW (electric power) or 1 MJ/s (thermal power) capacity unit = 1 TJ/a, monetary unit = 10<sup>3</sup> EUR (2009); emission unit = 1 t. Such a set of units allows obtaining the costs and expenses indices denominated in commonly used units, such as EUR (2009)/kW or EUR (2009)/GJ.

## 2. Optimisation criterion

This chapter presents the optimisation criterion used in the MARKAL model. It is the minimum of the discounted sum of the net present value of the annual costs generated by the energy system in all years of the time horizon [8]:

$$Z = \sum_{t=1}^T \left[ (1+d)^{M(1-t)} \cdot K_t^i \cdot \sum_{i=1}^{i=M} (1+d)^{-i} \right] = m \quad (1)$$

where:

- Z – total energy system cost discounted back to the base year [monetary unit]
- t – index of the period of time, for which data is entered
- T – number of periods in the time horizon [-]
- i – index of individual years in the time period t
- M – number of years in one time period t [a]
- $K_t^i$  – annual cost generated by the energy system in the time period t [(monetary unit)/a]
- d – overall discount rate for the whole energy system [1/a].

The stream of the annual cost generated by the energy system is represented by the following relation:

$$K_r^t = \sum_{p=1}^P \left[ K_{rr}^{t,p} + K_{es}^{t,p} + K_{mr}^{t,p} + \sum_{e=1}^E K_{dost}^{t,p,e} \right] + \sum_{s \in eksp} K_{tow}^{t,s} - \sum_{s \in eksp} K_{tow}^{t,s} + \sum_{v=1}^V K_{srod}^{t,v} \quad (2)$$

where:

- p – technology index
- e – energy carrier index
- s – energy supply option index (*imp* – purchase from outside the relevant area – import, *eksp* – sale outside the relevant area – export, *min* – extraction of non-renewable fuels, *rnw* – acquisition of primary energy from renewable sources)
- v – emitted pollution type index
- $K_{rr}^{t,p}$  – annualized capital cost in the time period t, related to capital expenditures incurred in the relevant time horizon for the energy facilities operating by the technology p
- $K_{es}^{t,p}$  – fixed annual operation and maintenance costs associated with the capacity installed in the energy facilities operating by the technology p, in the time period t
- $K_{mr}^{t,p}$  – annual variable operation and maintenance (excluding fuel) costs of the energy facilities operating by the technology p, in the time period t
- $K_{dost}^{t,p,e}$  – annual cost of the fuel or energy supply e to the energy facilities operating by the technology p, in the time period t
- $K_{tow}^{t,s}$  – annual costs of the purchase or sale of the commodity/carrier (or primary energy acquisition) offered in the delivery option s, in the time period t
- $K_{srod}^{t,v}$  – annual costs of the environmental fee due for the pollution emission v, in the time period t.

A more detailed description of the stream of annual costs is the following:

$$K_r^t = \sum_{p=1}^P \left[ k_a^{p,t} \cdot r^{t,p} \cdot \Delta P^{t,p} + k_{es}^{p,t} \cdot P^{t,p} + k_{mr}^{p,t} \cdot \sum_{w=1}^W E^{t,p,w} + \sum_{e=1}^E \sum_{w=1}^W (k_{dost}^{p,e,t} \cdot q^{p,e,t} \cdot E^{t,p,w}) \right] + \sum_{s \in eksp} (c_{pe}^{s,t} \cdot Q^{t,s}) - \sum_{s \in eksp} (c_{pe}^{s,t} \cdot Q^{t,s}) + \sum_{v=1}^V (k_{srod}^{t,v} \cdot G^{t,v}) \quad (3)$$

$$\Delta P^{t,p} \geq 0, P^{t,p} \geq 0, E^{t,p,w} \geq 0, Q^{t,s} \geq 0, G^{t,v} \geq 0$$

$$r^{t,p} = \frac{d^p \cdot (1+d)^{\lambda^p}}{(1+d^p)^{\lambda^p} - 1} \quad (4)$$

where:

- $k_a^{p,t}$  – capital expenditure per unit of capacity installed in the generation facilities operating by the technology p, in the time period t [(monetary unit)/(power unit)]
- $r^{t,p}$  – capital recovery factor for the facilities operating by the technology p and built in the time period t [1/a]
- $\Delta P^{t,p}$  – (decision variable) increment of capacity installed in all the generation facilities operating by the technology p, in the time period t – it is assumed that capital expenditures are incurred once in the first year of the time period t, and the new installed capacity is available throughout the period t and the following periods until the end of the service life specific to the facilities operating by the technology p [power unit]

- $k_{es}^{p,t}$  – specific fixed operation and maintenance costs in the generation facilities operating by the technology  $p$ , in the time period  $t$  [(monetary unit)/(power unit) a]  
 $P^{p,t}$  – (decision variable) total capacity installed in all the energy facilities operating by the technology  $p$ , in the time period  $t$  [power unit]  
 $k_{mr}^{p,t}$  – specific variable operation and maintenance costs in the generation facilities operating by the technology  $p$ , in each year of the time period  $t$  [(monetary unit)/(energy unit)]  
 $w$  – time interval index as per year divided into seasons and daily zones  
 $E^{p,t,w}$  – (decision variable) energy output from the facilities operating by the technology  $p$ , in the time interval  $w$  in each year of the time period  $t$  [(energy unit)/a]  
 $k_{dost}^{p,e,t}$  – delivery cost per unit of energy in the input fuel  $e$  to the generation facilities operating by the technology  $p$ , in the time period  $t$  [(monetary unit) / (energy unit)]  
 $q_{dost}^{p,e,t}$  – specific energy consumption in the input fuel  $e$  in the generation facilities operating by the technology  $p$ , in the time period  $t$  [(monetary unit) / (energy unit)]  
 $c_{pe}^{z,s,t}$  – acquisition or sale price per unit of the energy (commodity)  $z$  under the delivery option  $s$ , in the time period  $t$  [(monetary unit) / (energy unit)]  
 $Q^{z,s,t}$  – (decision variable) annual amount of energy (commodity) acquired or sold under the delivery options in each year of the time period  $t$  [(energy unit)/a]  
 $k_{srod}^{v,t}$  – specific cost of the pollution emission  $v$  in each year of the time period  $t$  – represents the cost of environmental fee and the cost of acquiring emission allowances [(monetary unit)/(weight unit)]  
 $G^{z,v,t}$  – (decision variable) amount of the pollution emissions  $v$  or its equivalent (amount of required emission allowances) in each year of the time period  $t$  [(weight unit)/a]  
 $d^p$  – discount rate for the technology  $p$   
 $\lambda^p$  – technical lifetime of machinery and equipment in the energy facilities operating by the technology  $p$ .

The objective function and decision variables reach values from a solutions area limited by linear relations, concerning, among other constraints, the balance of energy carriers and commodities, and the balance of powers of energy facilities. The actual structure of the mathematical model is far more complicated. A wider discussion on it can be found in documentation [8]. Worth noting is the possibility to create own equations based on variables available in the standard version of the model and the coefficients determined by the user (so called ADRATIO). Good knowledge of the source code also allows creating own equations on the basis of self-created variables and parameters.

### 3. Reference Energy System (RES)

The Reference Energy System (RES) is a kind of "skeleton" of the model, by appropriate technologies and energy flows combining its resources with the final needs. RES is developed by the model's

user and depends on the user's creativity. Constraints to the model's design are due to the rules adopted by the MARKAL tool's developers. They mainly refer to distribution of all technologies available in the MARKAL model into three groups: 1) processes; 2) conversion technologies; 3) demand devices. Technologies, in the MARKAL programme "processes (PRC)", are referred as to energy conversion, with the exception of the changes with electricity and/or heat as their output carrier. For electricity and/or heat generation "conversion technologies (CON)" are responsible, which include power plants, heating plants and cogeneration plants. "Demand devices (DMD)" convert energy carriers (fuel, electricity, heat) to useful energy (such as heat for heating premises, heat for domestic hot water, cold for air conditioning, etc.) to meet demand for energy services. An example of the technology referred to as "process" can be a crude oil refinery process, while the "demand device" may be exemplified by an individual gas boiler, electric heating system, or lighting technology. Fig. 2 presents a schematic diagram of the Reference Energy System in the MARKAL programme.

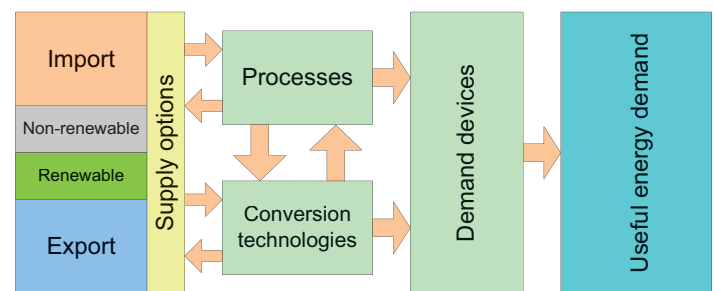


Fig. 2. Schematic diagram of Reference Energy System (RES) in MARKAL programme. Developed based on [7]

In the present approach, as opposed to dissertation [4], for the sake of the model's structural simplicity, no balance levels corresponding to power distribution and transmission grid are distinguished. For the same reason there are no separate balancing levels for heat from district, industrial, and local sources, but instead one level is proposed for all groups of producers. Modelling of the power system and heating systems in the form of balancing levels ("busbars") is due to the MARKAL tool's limitations. More detailed analysis of the transmission and distribution infrastructure development requires the use of a different type of modelling tools that take into account the structure's complexity. In the Reference Energy System (RES) concept-based models the power grid infrastructure is presented in a very simplified way. In the MARKAL model using the standard approach the power system can be expressed by a single busbar. Assigned to such a busbar are the specific variable operation and maintenance costs and specific capital expenditures referred to the capacities installed in new generation technologies, proposed by the optimization procedure. The model user also determines the electricity transmission and distribution efficiency.

The grid infrastructure data was developed on the basis of information contained in studies [4, 10]. The ERESERV parameter was determined on the basis of the peak power demand in 2009 [1] and on the basis of the average power demand in the winter-day period.

It is assumed that each new capex project brings with it the need for investment in the grid infrastructure. With regard to centralized facilities (CEN) capital expenditures for the transmission and distribution grid are taken into account, and the associated operating costs, while for decentralized power plants (DCN), defined as sources connected to the distribution grid, only the distribution system – related expenditures and costs are considered.

Indices were determined for the capital expenditures and operating costs assigned to power grids. The capital expenditure indices for the transmission grid were estimated on the basis of the expenditure incurred for construction of 100 km of 400 kV single circuit transmission line. The data was taken from [10].

The distribution grid was described on the basis of the assumptions proposed in [11]. That study specifies the total capital expenditure for a distribution grid per 1 GW of new capacity installed in power plants, which was used to calculate the unit capital expenditure for the distribution grid in the case of the construction of new power plants.

In this model the electricity transmission and distribution efficiency is determined on the basis of ARE SA data [2] on electricity losses in the power system.

The distribution of electricity demand due to the season of the year was based on monthly energy balances in ARE SA's statistics of the Polish power sector [2]. The daily distribution is based on data from the PSE Operator SA website [1], where power system load statistics are published. This allowed including the power system's loads varied during days and at nights in the model. Based on the data, the percentage distribution of electricity demand (NDM\_FR) was compiled for each time interval (ZY), specified by the time of the year (Z) and time of day (Y). Due to the lack of detailed data, the same distribution of electricity demand was assumed in all sectors of the economy (DM).

The yearly distribution of energy demand is necessary because of the seasonal and daily load variation. It allows for modelling of simplified characteristics of the demand for power in the power or heating system. Owing to this approach, the average power demand in the season's "day" and "night" is obtained. These characteristics, however, are not sufficient to represent the year's peak load, which is needed to determine the maximum capacity required in the system. For this purpose, the model selects the time interval with the highest average power demand (typically winter-day) and with respect to the interval it selects the peak demand, based on the model user-specified coefficients. The most important of these are: reserve index (ERESERV) and share rates of power plants, or rather of groups of power plants with common characteristics (technological options), in covering the peak demand for power.

A year was divided by allocating full months of a season duration to each model season. Winter covers the months of January

– March, spring and autumn (intermediate season) April – June and October – December, while the summer covers July – September. Times of day (day and night) were chosen so as to be equal in all seasons. Day covers the hours from 8.00 am to 7.59 pm, and night - the hours from 8.00 pm to 7.59 am.

In the RES model for Poland (MARKAL – PL) the electricity and/or heat generation technologies were used that belong to the CON (conversion technologies) group. It includes power plants ELE (ELEctric plants), cogeneration plants CPD (CouPleD production plants) and heating plants HPL (Heating PLants). The names consist of three letters. The power plant and cogeneration plant names begin with letter E, while the heating plant names with letter H. The technologies representing existing power plants and CHP were given names consisting of letters E and two digits, for example E11, E64, E81. New power plants, i.e. the technologies representing power plants with common characteristics, were given names consisting of a letter, digit, and another letter, for example E1A, E3A, etc.

Coal and lignite – fired power plants were named E11, E12, E1A, etc. (the second character is digit 1). Nuclear power plants: E2A, E2B, E2C. Renewable energy sources, excluding commercial hydroelectric power plants and renewable fuel - fired cogeneration plants were assigned digit 3, for example E31, E33, E3A. Digit 4 is reserved for natural gas power plants (e.g. E4A). Digit 5 corresponds to commercial hydro power plants, including pumping plants (e.g. E53, E55). Digit 6, as the second character, appears in the names of all commercial and independent power plants, for example, E64, E6A, etc. Digit 8 was assigned to existing industrial cogeneration plants, e.g. E81, E82, etc.

Because of the large number of CON technologies, for the purposes of RES presentation in fig. 3 they have been grouped by common characteristics, such as E10 – coal-fired commercial power plants, E20 – nuclear power plants, E60 – commercial cogeneration plants, etc. The breakdown of existing power plants by energy technologies is mainly determined by the availability of relevant detailed data. Thus, commercial and independent power plants (technologies E64 - E68) were grouped by their installed capacities, according to the methodology adopted in the Polish Power Sector Statistics [2].

ENT (ENergy Types) index contains energy carriers and other commodities that can be traded, and are derived from energy technologies. Therefore, property rights to energy origin certificates were specified. Given the level of detail of fuel consumption data available from Agencja Rynku Energii SA (The Energy Market Agency) sources [2, 3], aggregated energy carriers were used, such as biomass and biogas (BBG), and liquid fuels (LQD). In turn, for local and individual heat sources the aggregated energy carrier (PAX) was used, representing fuels for this type of facilities. Due to the adopted assumption that in the basic model version the demand will refer to final, and not useful, energy; the demand devices (DMD) do not represent any physically existing devices; they are called dummy technologies. Thus, for the demand for electricity and heat in each sector of the economy, the minimum number of (P) demand devices was suggested, so that  $P = 1$ .

The energy supply options (SRCENCP) include extraction and import of fuels, and acquisition of renewable fuels and municipal waste.

A diagram of the Reference Energy System (RES) for the developed MARKAL – PL model in its basic version is shown in fig. 3.

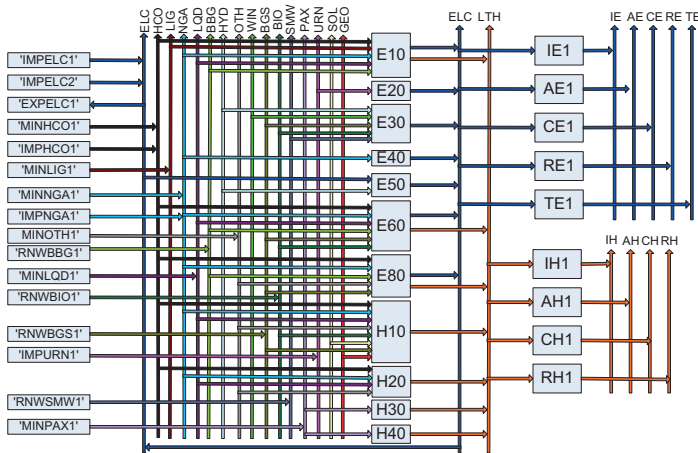


Fig. 3. Diagram of Reference Energy System (RES) for MARKAL – PL model's basic version (own study)

#### DM – Demand categories (DeMand)

- IH – heat demand – industry
- AH – heat demand – agriculture
- CH – heat demand – services commercial
- RH – heat demand – residential sector
- IE – electricity – industry
- AE – electricity – agriculture
- TE – electricity – transport
- CE – electricity – services commercial
- RE – electricity – residential sector

#### ENT – Energy carriers (ENergy Types)

- ELC – electricity
- LTH – low temperature heat
- HCO – hard coal
- LIG – lignite
- NGA – natural gas
- OTH – other fuels
- BIO – biomass
- BGS – biogas
- BBG – biomass & biogas
- HYD – hydro power
- WIN – wind
- LQD – liquid fuels for power plant and cogeneration plants
- PAX – fuels for local heat sources
- URN – uranium for nuclear power plants
- SOL – solar
- GEO – geothermal
- SMW – solid municipal waste

#### CON – Energy conversion technologies (CONversion technologies)

##### E10 – commercial/public thermal power plants – hard coal (HC) and lignite (BC)

- E11 – hard coal fired commercial thermal power plants
- E12 – lignite fired commercial thermal power plants
- E1A – hard coal fired commercial thermal power plants – new (2010–2025)

- E1B – lignite fired commercial thermal power plants – new (2010–2025)

- E1D – IGCC CCS – HC

- E1E – PF CCS – HC

##### E20 – Nuclear power plants

- E2A – nuclear plants with PWR reactors (2025–2030)

- E2B – NPP Gen IV – GTMHR (19% U235 enrichment)

- E2C – NPP Gen IV – PBR Pebble bed reactor (9% U235 enrichment)

##### E30 – independent power plants – renewable energy sources (RES)

- E31 – flow hydro plants – independent

- E33 – wind turbines

- E34 – biogas power plants

- E35 – biomass power plants

- E3A – wind farms – new (2010–2025)

- E3B – wind turbines – offshore

- E3C – PV photovoltaic panels

- E3D – power plants with energy crop gasification (biomass)

- E3E – GTCC Gas Turbine Combined Cycle plants with biomass gasification

- E3F – GTCC Gas Turbine Combined Cycle plants with biomass gasification and CO<sub>2</sub> sequestration (after 2030)

- E3G – power plants with energy crop gasification (biomass) – newer

- E3H – biogas engine

- E3J – municipal waste fired system with steam turbine

##### E40 – Natural gas fired power plants (GZ)

- E4A – intervention gas sources (2015–2025)

- E4B – natural gas fired commercial heat power plants – new (2010–2025)

- E4C – GTCC gas/steam plants with CCS

- E4E – natural gas fired fuel cells

- E50 – commercial hydro and pumped storage plants

- E52 – other hydro plants (natural inflow)

- E53 – pumped storage plants

- E55 – hydro plant with pump element

##### E60 – commercial and independent cogeneration plants

- E64 – commercial cogeneration plants – EC1

- E65 – commercial cogeneration plants – EC2

- E66 – commercial cogeneration plants – EC3

- E67 – commercial cogeneration plants – EC4

- E68 – independent cogeneration plants – ECN

- E6A – hard coal fired commercial cogeneration plants – new (2010–2025)

- E6B – natural gas fired commercial cogeneration plants – new (2010–2025)

- E6C – biomass fired commercial cogeneration plants – new (2010–2025)

- E6D – biogas fired cogeneration plant (new)
- E6E – fuel cell cogeneration plant (natural gas)
- E6F – CHP gas microturbine (< 120 kW)
- E80 – industrial cogeneration plants**
- E81 – hard coal fired industrial cogeneration plants
- E82 – gas fired industrial cogeneration plants
- E83 – biomass and gas fired industrial cogeneration plants
- E84 – other fuel fired industrial cogeneration plants
- H10 – commercial heat plants**
- H10 – commercial heat plants (existing)
- H1A – natural gas fired heat plant
- H1B – geothermal heat plant
- H1C – solar heat plant
- H1D – biomass fired heat plant
- H20 – non-commercial heat plants**
- H20 – commercial heat plants (existing)
- H30 – local heat sources**
- H31 – industry
- H32 – services
- H33 – households
- H34 – agriculture
- H40 – individual heat sources (heat balance complement)
- H40 – individual – for heat balance complement
- SRCENCP – Energy acquisition options (SouRce Energy Carrier Price level)**
- IMPELC1 – electricity import
- IMPELC2 – electricity import
- EXPELC1 – electricity export
- MINHCO1 – hard coal extraction
- IMPHCO1 – hard coal import
- MINLIG1 – lignite extraction
- MINNGA1 – natural gas extraction
- IMPNGA1 – natural gas import
- MINOTH1 – acquisition - other fuels
- RNWBIO1 – biomass acquisition
- RNWBGS1 – biogas acquisition
- RNWBGG1 – acquisition – biomass and biogas
- MINLQD1 – liquid fuel acquisition
- MINPAX1 – other fuel acquisition
- IMPURN1 – uranium import
- RNWSMW1 – solid municipal waste acquisition

## 4. Summary

The next part of the series of papers will present a set of assumptions adopted in the MARKAL model for Poland. Also presented will be electricity and heat demand forecasts, and forecast of power unit outages in existing power plants and cogeneration plants, as well as an annual listing of technical and economic indicators of the energy technologies included in the model database.

## REFERENCES

1. Zapotrzebowanie mocy w KSE, PSE Operator SA, Konstancin-Jeziorna 2012, <http://www.pse-operator.pl/index.php?dzid=77>.
2. Statystyka Elektroenergetyki Polskiej (2001–2009), Agencja Rynku Energii (ARE) SA, Warsaw 2002–2010.
3. Statystyka Ciepłownictwa Polskiego (2007–2009), Agencja Rynku Energii (ARE) SA, Warsaw 2008–2010.
4. Jaskólski M., Modelowanie rozwoju regionalnych systemów energetycznych ze szczególnym uwzględnieniem bioenergii, doctoral dissertation, Gdańsk University of Technology, Gdańsk 2006.
5. Jaskólski M., Bućko P., Modelowanie rozwoju systemów energetycznych z uwzględnieniem mechanizmów promowania odnawialnych źródeł energii, *Archiwum Energetyki* 2007, Vol. XXXVII, special issue: XII Międzynarodowa Konferencja Naukowa "Aktualne problemy w elektroenergetyce APE '07", Polish Academy of Sciences, The Committee on Power Engineering Problems, Gdańsk 2007.
6. Jaskólski M., Bućko P., Odzworowanie mechanizmów promowania odnawialnych źródeł energii w modelach rozwoju systemów energetycznych, *Rynek Energii*, April 2007, Issue 2(69), pp. 41–47, Kaprint, Lublin 2007.
7. Fishbone L.G. et al. User's Guide for MARKAL (BNL/KFA Version 2.0). IEA, Upton, Long Island, New York and KFA, Jülich, Germany, 1983.
8. Loulou R., Goldstein G., Noble K., Documentation for the MARKAL Family of Models, Energy Technology Systems Analysis Programme, October 2004.
9. Seebregts A.J., Goldstein G.A., Smekens K., Energy/Environmental Modeling with the MARKAL Family of Models, International Resources Group, Washington 2000.
10. Kamrat W., Metody oceny efektywności inwestowania w elektroenergetyce, Gdańsk University of Technology Publishers, Gdańsk 2004.
11. Waltrowski T., Babraj P., Polityka inwestycyjna spółek dystrybucyjnych a bezpieczeństwo dostaw energii, *Wokół Energetyki*, December 2004.

### Marcin Jaskólski

Gdańsk University of Technology

e-mail: mjask@ely.pg.gda.pl

Works at the Power Engineering Department of Gdańsk University of Technology. His scientific interests, besides integrated modelling of power system development, include the use of renewable energy resources and nuclear power generation.

This is a supporting translation of the original text published in this issue of "Acta Energetica" on pages 15–20. When referring to the article please refer to the original text.

PL

# Zastosowanie modelu MAKRAL do optymalizacji struktury wytwarzania energii elektrycznej w Polsce w długoterminowym horyzoncie czasowym. Część I – koncepcja modelu

## Autor

Marcin Jaskólski

## Słowa kluczowe

MARKAL, programowanie liniowe, modelowanie systemów energetycznych

## Streszczenie

Artykuł rozpoczynający cykl artykułów o tej tematyce, prezentuje koncepcję modelu rozwoju systemu energetycznego w zakresie struktury technologicznej wytwarzania energii elektrycznej w Polsce, w horyzoncie długoterminowym – do roku 2060. Model ten oparty jest na strukturze matematycznej pakietu optymalizacyjnego MARKAL. Przedstawiono krótką charakterystykę narzędzia zastosowanego w badaniach modelowych. Ponadto opisano kryterium optymalizacji i zaprezentowano strukturę Energetycznego Systemu Odniesienia (ang. *Reference Energy System*).

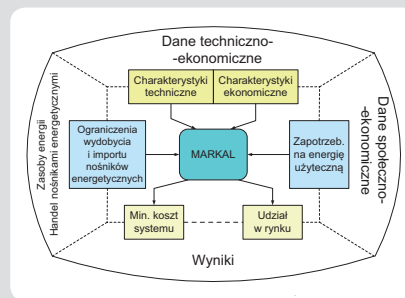
## 1. Wprowadzenie

W niniejszym artykule przedstawiono koncepcję modelu rozwoju systemów energetycznych, obejmującego strukturę wytwarzania energii elektrycznej i ciepła w Polsce. Uwzględniono w nim produkcję ze źródeł energetyki zawodowej, tj. elektrowni systemowych, elektrociepłowni, przedsiębiorstw ciepłowniczych oraz uzupełniono o wytwarzanie energii ze źródeł generacji rozproszonej, tj. elektrowni niezależnych, odnawialnych źródeł energii. Opracowanie bilansu ciepła oraz struktury jego wytwarzania wynika z konieczności uwzględnienia źródeł wytwarzających ciepło i energię elektryczną w skojarzeniu, w modelu systemu energetycznego dla Polski.

Narzędziem wykorzystanym w badaniach modelowych był pakiet optymalizacyjny MARKAL (MARKet ALlocation) do programowania modeli rozwoju systemów energetycznych, ze szczególnym uwzględnieniem struktury wytwórczej, na podstawie bilansu energii [7, 8, 9]. Pakiet ten został zmodyfikowany przez autora i przystosowany do prowadzenia analiz mających na celu uwzględnienie mechanizmów promowania źródeł odnawialnych i wysokosprawnej kogeneracji. Metodyka modelowania tych mechanizmów była przedmiotem rozprawy [4], a także została opublikowana w pracach [5, 6]. W modelu uwzględniono również mechanizm ograniczania emisji CO<sub>2</sub>, obowiązujący w UE, tzn. EU ETS – European Union Emission Trading Scheme oraz krajowe systemy ograniczania emisji SO<sub>2</sub> i NO<sub>x</sub>.

W swojej standardowej wersji model MARKAL pozwala na rozwiązywanie problemów programowania liniowego opartych na minimalizacji zaktualizowanej wartości netto kosztów dostawy energii do odbiorcy końcowego. Zmiennymi decyzyjnymi są m.in.: wielkość mocy zainstalowanej i wielkość rocznej produkcji w technologiach przetwarzania różnych form energii. Zasada działania jest następująca: użytkownik modelu podaje aktualne i prognozowane zapotrzebowanie na energię

finalną lub użyteczną, a procedura optymalizacyjna wybiera najtańszy sposób dostawy energii do odbiorcy, przy spełnieniu założonych ograniczeń, dotyczących aspektów technicznych, ekonomicznych i środowiskowych pracy systemu energetycznego. Wszelkie proponowane w modelu inwestycje są uważane za optymalne w całym rozpatrywanym horyzoncie czasowym, a nie w bieżącym okresie czasu. W standardowej wersji modelu dobierane wielkości dotyczą mocy zainstalowanej i produkcji energii w źródłach wytwórczych danej technologii, natomiast nie są obliczane wielkości jednostek wytwórczych wchodzących w skład źródeł ani nie jest określana ich liczba. Schemat ideowy struktury danych wejściowych i rezultatów uzyskiwanych za pomocą modelu MARKAL przedstawiono na rys. 1. Kryterium optymalizacji, zastosowane w modelu MARKAL, opisano w rozdziale 2.



Rys. 1. Schemat ideowy struktury modelu budowanego za pomocą pakietu MARKAL. Opracowano na podstawie [7]

Horyzont czasowy modelu podzielono na okresy pięcioletnie. Uzyskane założenia i wyniki modelowania są bilansowane w ujęciu rocznym, ale jednocześnie są reprezentatywne dla całego pięcioletniego okresu. Okresem bazowym, tzn. pierwszym okresem analizy modelowej, są lata 2005–2009. W modelu MARKAL okres

ten oznaczony jest pierwszym rokiem jego trwania (2005). Jest to przedział czasu, który w całości odnosi się do przeszłości i dla którego podane zostały historyczne dane. Horyzont czasowy planowania został wyznaczony do 2060 roku.

System energetyczny jest rozumiany jako sieć wzajemnych powiązań zasobów energii w różnych postaciach z odbiorcami końcowymi poprzez zestaw technologii energetycznych. W opisywanym modelu struktura powiązań przepływów poszczególnych nośników energii z odpowiadającymi im technologiami nazywa się Energetycznym Systemem Odniesienia (ESO lub RES, ang. *Reference Energy System*). Energetyczny system odniesienia opisano w rozdziale 3. Stopa dyskonta w modelu została ustalona dla całego systemu na poziomie 10%. Wskaźnik wzrostu cen detalicznych, wg którego wskaźniki ekonomiczne w modelu przeliczane są na rok 2009, wynosi 2,5% rocznie i jest stały w całym horyzoncie czasowym. Zastosowany kurs euro do złotychki jest następujący: 1 EUR = 4,00 PLN.

Przyjęto następujące jednostki w modelu: jednostka energii = 1 TJ; jednostka mocy = 1 MW (moc elektryczna) lub 1 MJ/s (moc cieplna); jednostka zdolności produkcyjnej = 1 TJ/a; jednostka monetarna = 10<sup>3</sup> EUR (2009); jednostka emisji = 1 t. Przyjęcie takiego zestawu pozwala na uzyskanie wskaźników kosztów i nakładów wyrażonych w powszechnie stosowanych jednostkach, np. EUR (2009)/kW lub EUR (2009)/GJ.

## 2. Kryterium Optymalizacji

W niniejszym rozdziale przedstawiono kryterium optymalizacji zastosowane w modelu MARKAL. Jest nim minimalizacja zdyskontowanej sumy zaktualizowanej wartości strumienia kosztów rocznych, generowanych przez system energetyczny we wszystkich latach horyzontu czasowego [8]:

$$Z = \sum_{t=1}^T \left[ (1+d)^{M(1-t)} \cdot K'_t \cdot \sum_{i=1}^{i=M} (1+d)^{-i} \right] = m \quad (1)$$

gdzie:

- Z – całkowity zdyskontowany do roku bazowego koszt systemu energetycznego [jednostka monetarna]
- t – indeks okresu czasu, dla którego wprowadzane są dane
- T – liczba okresów w horyzoncie czasowym [-]
- i – indeks pojedynczych lat w okresie czasowym t
- M – liczba lat w jednym okresie czasowym t [a]
- $K_r^t$  – koszty roczne generowane przez system energetyczny w okresie czasu t [(jednostka monetarna)/a];
- d – ogólna stopa dyskonta dla całego systemu energetycznego [1/a].

Strumień kosztów rocznych generowanych przez system energetyczny przedstawiony jest za pomocą następującej zależności:

$$K_r^t = \sum_{p=1}^P \left[ K_{rr}^{t,p} + K_{es}^{t,p} + K_{mr}^{t,p} + \sum_{e=1}^E K_{dost}^{t,p,e} \right] + \sum_{s \in \text{eksp}} K_{tow}^{t,s} - \sum_{s \in \text{eksp}} K_{tow}^{t,s} + \sum_{v=1}^V K_{srod}^{t,v} \quad (2)$$

gdzie:

- p – indeks technologii
- e – indeks nośnika energii
- s – indeks opcji pozyskania lub dostawy energii (imp – zakup sposobu rozpatrywanego obszaru – import, eksp – sprzedaż poza rozpatrywany obszar – eksport, min – wydobycie paliw nieodnawialnych, rmw – pozyskanie energii pierwotnej ze źródeł odnawialnych)
- v – indeks typu emitowanego zanieczyszczenia
- $K_{rr}^{t,p}$  – uśrednione roczne koszty obsługi kapitału w okresie czasu t, związane z nakładami inwestycyjnymi ponoszonymi w rozpatrywanym horyzoncie czasowym na obiekty energetyczne pracujące wg technologii p
- $K_{es}^{t,p}$  – roczne koszty eksploatacyjne stałe, związane z zainstalowaną mocą w obiektach energetycznych pracujących wg technologii p, w okresie czasu t
- $K_{mr}^{t,p}$  – roczne koszty materiałów ruchomych obiektów energetycznych pracujących wg technologii p, w okresie czasu t
- $K_{dost}^{t,p,e}$  – roczne koszty dostawy paliwa lub energii e do obiektów energetycznych pracujących wg technologii p, w okresie czasu t
- $K_{tow}^{t,s}$  – roczne koszty zakupu lub sprzedaży towaru/nośnika (albo pozyskania energii pierwotnej) oferowanego w opcji dostawy s, w okresie czasu t
- $K_{srod}^{t,v}$  – roczne koszty użytkowania środowiska na skutek emisji zanieczyszczenia v, w okresie czasu t.

Bardziej szczegółowy opis strumienia kosztów rocznych przedstawia się następująco:

$$K_r^t = \sum_{p=1}^P \left[ k_n^{p,d} \cdot r^{t,p} \cdot \Delta P^{t,p} + K_{es}^{p,d} \cdot P^{t,p} + K_{mr}^{p,d} \cdot \sum_{w=1}^W E^{t,p,w} + \sum_{e=1}^E \sum_{w=1}^W \left( k_{dost}^{p,e,d} \cdot q^{p,e,d} \cdot E^{t,p,w} \right) \right] + \sum_{s \in \text{eksp}} \left( c_{pe}^{s,d} \cdot Q^{t,s} \right) - \sum_{s \in \text{eksp}} \left( c_{pe}^{s,d} \cdot Q^{t,s} \right) + \sum_{v=1}^V \left( k_{srod}^{v,d} \cdot G^{t,v} \right) \quad (3)$$

$$\Delta P^{t,p} \geq 0, P^{t,p} \geq 0, E^{t,p,w} \geq 0, Q^{t,s} \geq 0, G^{t,v} \geq 0$$

$$r^{t,p} = \frac{d^p \cdot (1+d^p)^{\lambda^p}}{(1+d^p)^{\lambda^p} - 1} \quad (4)$$

gdzie:

- $k_n^{p,d}$  – nakłady inwestycyjne na jednostkę mocy zainstalowanej w obiektach wytwórczych pracujących wg technologii p, w okresie czasu t [(jednostka monetarna)/(jednostka mocy)]
- $r^{t,p}$  – rata kapitałowa dla obiektów pracujących wg technologii p i zbudowanych w okresie czasu t [1/a]
- $\Delta P^{t,p}$  – (zmienna decyzyjna) przyrost mocy produkcyjnej zainstalowanej we wszystkich obiektach wytwórczych pracujących wg technologii p, w okresie czasu t – zakłada się, że nakłady inwestycyjne ponoszone są jednorazowo w pierwszym roku okresu t, a zainstalowana nowa moc jest dostępna przez cały okres t i okresy następne do momentu zakończenia okresu użytkowania charakterystycznego dla obiektów pracujących wg technologii p [jednostka mocy]
- $k_{es}^{p,d}$  – jednostkowe roczne koszty eksploatacyjne stałe w obiektach wytwórczych pracujących wg technologii p, w każdym roku okresu czasu t [(jednostka monetarna)/(jednostka mocy)·a]
- $P^{t,p}$  – (zmienna decyzyjna) całkowita moc zainstalowana we wszystkich obiektach wytwórczych pracujących wg technologii p, w okresie czasu t [jednostka mocy]
- $k_{mr}^{p,d}$  – jednostkowe roczne koszty materiałów ruchomych w obiektach wytwórczych pracujących wg technologii p, w każdym roku okresu czasu t [(jednostka monetarna)/(jednostka energii)]
- w – indeks przedziału czasowego wg podziału roku na pory roku i strefy dobowe
- $E^{t,p,w}$  – (zmienna decyzyjna) ilość wyprodukowanej energii przez obiekty pracujące wg technologii p, w przedziale czasowym w każdego roku okresu czasu t [(jednostka energii)/a]
- $k_{dost}^{p,e,d}$  – koszt dostawy jednostki energii w paliwie wsadowym e do obiektów wytwórczych pracujących wg technologii p, w okresie czasu t [(jednostka monetarna)/(jednostka energii)]
- $q_{dost}^{p,e,d}$  – jednostkowe zużycie energii w paliwie wsadowym e w obiektach

wytwórczych pracujących wg technologii p, w okresie czasu t [(jednostka energii)/(jednostka energii)]

- $c_{pe}^{s,d}$  – cena pozyskania lub sprzedaży jednostki energii (towaru) z opcji dostawy s, w okresie czasu t [(jednostka monetarna)/(jednostka energii)]
- $Q^{t,s}$  – (zmienna decyzyjna) roczna ilość energii (towaru) pozyskiwanej lub sprzedawanej w ramach opcji dostawy s w każdym roku okresu czasu t [(jednostka energii)/a]
- $k_{srod}^{v,d}$  – jednostkowy koszt emisji zanieczyszczenia v w każdym roku okresu czasu t – reprezentuje koszty użytkowania środowiska oraz koszty pozyskania uprawnień do emisji [(jednostka monetarna)/(jednostka masy)]
- $G^{t,v}$  – (zmienna decyzyjna) ilość emisji zanieczyszczenia v lub jej równoważnika (ilość wymaganych uprawnień do emisji) w każdym roku w okresie czasu t [(jednostka masy)/a]
- $d^p$  – stopa dyskonta dla technologii p
- $\lambda^p$  – okres eksploatacji maszyn i urządzeń w obiektach energetycznych pracujących wg technologii p.

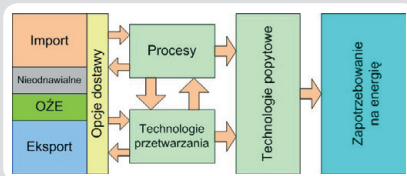
Funkcja celu i zmienne decyzyjne osiągają wartości z obszaru rozwiązań ograniczonego liniowymi zależnościami, dotyczącymi m.in. bilansu nośników energii i towarów oraz bilansu mocy obiektów energetycznych. Rzeczywista struktura matematyczna modelu jest znacznie bardziej skomplikowana. Szersze jej omówienie znajduje się w dokumentacji [8]. Na uwagę zasługuje fakt możliwości tworzenia własnych równań na podstawie zmiennych dostępnych w standardowej wersji modelu i współczynników określanych przez użytkownika (tzw. ADRATIO). Dobra znajomość kodu źródłowego pozwala również na tworzenie własnych równań na bazie utworzonych przez siebie zmiennych i parametrów.

### 3. Energetyczny System Odniesienia (RES)

Energetyczny System Odniesienia (ang. RES) to swoisty „szkielet” modelu, łączący odpowiednimi technologiami i przepływami energii jej zasoby z zapotrzebowaniem finalnym. RES jest opracowywany przez użytkownika modelu i zależy od jego inwencji twórczej. Ograniczenia w jego budowaniu wynikają z zasad przyjętych przez twórców narzędzia MARKAL. Dotyczą one m.in. podziału wszystkich dostępnych w modelu MARKAL technologii na trzy grupy: 1) procesy (processes); 2) technologie przetwarzania (conversion technologies); 3) „technologie popytowe” (demand devices). Technologie nazywane w programie MARKAL „procesami (PRC)” odpowiadają za przetwarzanie energii z wyłączeniem przemian, których nośnikiem wyjściowym jest energia elektryczna lub ciepło. Za produkcję tych dwóch ostatnich odpowiedzialne są „technologie przetwarzania (CON)”, wśród których rozróżnia się



elektrownie, ciepłowne i elektrociepłowne. „Technologie popytowe (DMD)” przetwarzają nośniki energii (paliwa, energia elektryczna, ciepło) na energię użyteczną (np. ciepło do ogrzewania pomieszczeń, ciepło do przygotowania ciepłej wody użytkowej, chłód sieciowy do klimatyzacji pomieszczeń itp.), aby pokryć zapotrzebowanie na usługi energetyczne. Przykładem technologii określanej mianem „procesu” może być rafinacja ropy naftowej, natomiast „technologii popytowej” – indywidualny kocioł gazowy, instalacja ogrzewania elektrycznego albo



Rys. 2. Schemat ideowy Energetycznego Systemu Odniesienia (ESO) w MARKAL. Opracowano na podstawie [7]

technologia oświetleniowa. Na rys. 2 zaprezentowano schemat ideowy Energetycznego Systemu Odniesienia w programie MARKAL.

W rozważanym podejściu, inaczej niż w rozprawie [4], nie wyróżniono poziomów bilansowych, odpowiadających sieci rozdzielczej i przesyłowej elektroenergetycznej, dążąc do prostej struktury modelu. Z tego samego powodu nie wyodrębniono poziomów bilansowych ciepła ze źródeł zawodowych, niezawodowych lub lokalnych, lecz zaproponowano jeden wspólny dla wszystkich grup wytwórców.

Zastosowanie metody modelowania systemu elektroenergetycznego i systemów ciepłowniczych w postaci poziomów bilansowych („zbiorczych szyn”) wynika z ograniczeń narzędzia MARKAL. Do bardziej szczegółowej analizy rozwoju infrastruktury przesyłowej i rozdzielczej wymagane jest zastosowanie innego typu narzędzi modelowych, które uwzględniają złożoność tej struktury.

W modelach bazujących na koncepcji Energetycznego Systemu Odniesienia (RES) elektroenergetyczna infrastruktura sieciowa jest przedstawiana w bardzo uproszczony sposób. W modelu MARKAL, z zastosowaniem standardowego podejścia, system elektroenergetyczny może być wyrażony za pomocą pojedynczej zbiorczej szyny. Przypisane są jej jednostkowe zmienne koszty eksploatacyjne i jednostkowe nakłady inwestycyjne, odniesione do mocy zainstalowanej w nowych technologiach wytwórczych, proponowanych przez procedurę optymalizacyjną. Użytkownik modelu określa również sprawność przesyłania i dystrybucji energii elektrycznej.

Dane dotyczące infrastruktury sieciowej opracowano na podstawie informacji zawartych w pracach [4, 10]. Wskaźnik ERESERV określono na podstawie szczytowego zapotrzebowania na moc w 2009 roku [1] oraz na podstawie średniego zapotrzebowania na moc w okresie zima-dzień (*winter-day*). Zakłada się, że każda nowa inwestycja niesie za sobą konieczność inwestowania

w infrastrukturę sieciową. W przypadku obiektów scentralizowanych (CEN) uwzględnia się nakłady na sieć przesyłową i dystrybucyjną oraz związane z nimi koszty eksploatacyjne, zaś dla elektrowni zdecentralizowanych (DCN), definiowanych jako źródła przyłączone do sieci rozdzielczej, brane są pod uwagę tylko nakłady i koszty związane z systemem dystrybucyjnym. Określono wskaźniki nakładów inwestycyjnych i kosztów eksploatacyjnych przypisanych sieciom elektroenergetycznym. Wskaźniki nakładowe dla sieci przesyłowej zostały oszacowane na podstawie wydatków poniesionych na inwestycję w 100 km linii przesyłowej jednotorowej 400 kV. Dane zaczerpnięto z [10].

Sieć rozdzielczą (dystrybucyjną) opisano na podstawie założonych zaproponowanych w [11]. Opracowanie podaje łączne nakłady na sieć dystrybucyjną na 1 GW nowej mocy zainstalowanych w elektrowniach, co wykorzystano do obliczeń jednostkowych nakładów na inwestycję w sieć dystrybucyjną w przypadku budowy nowych elektrowni.

W omawianym modelu określono sprawności przesyłu i dystrybucji energii elektrycznej na podstawie danych ARE SA [2] o stratach energii elektrycznej w systemie elektroenergetycznym.

Rozkładu zapotrzebowania na energię elektryczną ze względu na pory roku dokonano na podstawie bilansów miesięcznych energii w statystykach elektroenergetyki polskiej ARE SA [2]. Rozkład dobowy opracowano na podstawie danych z serwisu internetowego PSE-Operator SA [1], gdzie opublikowano charakterystyki obciążenia systemu elektroenergetycznego. Pozwoliło to na uwzględnienie w modelu zróżnicowanego obciążenia systemu elektroenergetycznego w ciągu dnia i w nocy. Na podstawie tych danych opracowano rozkład procentowy zapotrzebowania na energię elektryczną (NDM\_FR) dla każdego przedziału czasowego (ZY), określonego porą roku (Z) i porą doby (Y). Z uwagi na brak szczegółowych danych, przyjęto ten sam rozkład zapotrzebowania na energię elektryczną we wszystkich sektorach gospodarki (DM).

Rozkład zapotrzebowania na energię w roku jest konieczny ze względu na sezonową i dobową zmienność obciążenia. Pozwala on na modelowanie uproszczonej charakterystyki zapotrzebowania na moc w systemie elektroenergetycznym lub ciepłowniczym. Dzięki takiemu podejściu otrzymuje się średnie zapotrzebowanie na moc w danym sezonie w porze doby „dzień” i „noc”. Taka charakterystyka jednak nie wystarcza do zobrazowania najwyższego obciążenia w roku, a jest ono potrzebne do określenia mocy osiągalnej wymaganej w systemie. W tym celu model wybiera przedział czasowy o najwyższym średnim zapotrzebowaniu na moc (zwykle zima-dzień) i względem niego dobiera szczytowe zapotrzebowanie, bazując na podanych przez użytkownika modelu współczynnikach. Najistotniejszymi z nich są: współczynnik rezerwy (ERESERV) oraz współczynniki udziału mocy danej elektrowni, a raczej grupy elektrowni o wspólnych cechach (opcji technologicznej), w pokrywaniu szczytowego zapotrzebowania na moc.

Podziału roku dokonano, przydzielając pełne miesiące trwania pór roku do poszczególnych sezonów modelowych. Zima obejmuje miesiące styczeń – marzec, wiosna i jesień (pora przejściowa) kwiecień – czerwiec i październik – grudzień, natomiast lato miesiące: lipiec – wrzesień. Pory dnia (dzień i noc) dobrano tak, aby we wszystkich sezonach były sobie równe. Dzień obejmuje godziny od 8.00 do 19.59, a noc – godziny od 20.00 do 7.59.

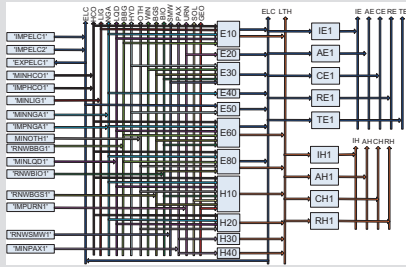
W ESO (RES) modelu dla Polski (MARKAL-PL) wykorzystano technologie wytwarzania energii elektrycznej i/lub ciepła należące do grupy CON (*CONVersion technologies*). Obejmuje ona elektrownie ELE (*ELectric plants*), elektrociepłowne CPD (*CouPled production plants*) i ciepłowne HPL (*Heating PLants*). Nazwy składają się z trzech liter. Nazwy elektrowni (el.) i elektrociepłowni (ec, EC) zaczynają się od litery E, zaś nazwy ciepłowni od litery H. Technologiom reprezentującym elektrownie i EC istniejące nadano nazwy składające się z litery E i dwóch cyfr, np. E11, E64, E81. Nowym elektrowniom, tzn. technologiom reprezentującym elektrownie o wspólnych cechach charakterystycznych, nadano nazwy składające się z litery, cyfry i litery, np. E1A, E3A, itp.

Elektrowniom opartym na węglu kamiennym i brunatnym nadano nazwy E11, E12, E1A itp. (drugi znak to cyfra 1). Elektrowniom jądrowym: E2A, E2B, E2C. Odnawialnym źródłom energii, z wyłączeniem elektrowni wodnych zawodowych oraz elektrociepłowni na paliwa odnawialne, przypisano cyfrę 3, np. E31, E33, E3A. Cyfra 4 zarezerwowana jest dla elektrowni na gaz ziemny (np. E4A). Cyfra 5 odpowiada elektrowniom wodnym zawodowym, obejmującym elektrownie pompowe (np. E53, E55). Cyfra 6, jako drugi znak, występuje w nazwie wszystkich elektrociepłowni zawodowych i niezależnych, np. E64, E6A, itp. Cyfrę 8 przeznaczono elektrociepłowniom przemysłowym istniejącym, np. E81, E82, itp.

Z powodu dużej liczby technologii CON, do celów przedstawienia ESO (RES) na rys. 3, pogrupowano je wg wspólnych cech charakterystycznych, np. E10 – elektrownie zawodowe na węgiel, E20 – elektrownie jądrowe, E60 – elektrociepłowne zawodowe, itp. Podział istniejących elektrowni na technologie energetyczne wynika głównie z dostępności szczegółowych danych na ich temat. Stąd elektrociepłowne zawodowe i niezależne (technologie E64 – E68) pogrupowano wg mocy zainstalowanej, zgodnie z metodyką przyjętą w Statystyce Elektroenergetyki Polskiej [2].

Indeks ENT (ENergy Types) zawiera nośniki energii i inne towary, które mogą być przedmiotem handlu, a pochodzą z technologii energetycznych. Dlatego wyszczególniono prawa majątkowe do świadectw pochodzenia energii. Z uwagi na poziom uszczegółowienia danych o zużyciu paliwa, dostępnych w źródłach Agencji Rynku Energii SA [2, 3], zastosowano zagregowane nośniki energetyczne, tj. biomasę i biogaz (BBG), paliwa ciekłe (LQD). Z kolei dla lokalnych i indywidualnych źródeł ciepła zastosowano zagregowany nośnik energetyczny (PAX), reprezentujący paliwa dla tego typu obiektów.

Z powodu przyjętego założenia, że w podstawowej wersji modelu zapotrzebowanie będzie dotyczyć energii finalnej, a nie użytecznej, technologie popytowe (DMD) nie reprezentują żadnych fizycznie istniejących urządzeń, są to tzw. *dummy technologies*. Stąd dla zapotrzebowania na energię elektryczną i ciepło w każdym z sektorów gospodarki zaproponowano minimalną liczbę (P) technologii popytowych, taką, że  $P = 1$ . Opcje pozyskania energii (SRCENC) obejmują wydobycie i import paliw oraz pozyskanie paliw odnawialnych i odpadów komunalnych.



Rys. 3. Schemat Energetycznego Systemu Odniesienia (RES) dla podstawowej wersji modelu MARKAL-PL (opracowanie własne)

Schemat Energetycznego Systemu Odniesienia (ESO, RES) dla opracowanego modelu MARKAL-PL w wersji podstawowej przedstawiono na rys. 3.

**DM – Kategorie Zapotrzebowania (DeMand)**

- IH – zapotrzebowanie na ciepło – przemysł
- AH – zapotrzebowanie na ciepło – rolnictwo
- CH – zapotrzebowanie na ciepło – usługi
- RH – zapotrzebowanie na ciepło – sektor mieszkaniowy
- IE – energia elektryczna – przemysł
- AE – energia elektryczna – rolnictwo
- TE – energia elektryczna – transport
- CE – energia elektryczna – usługi
- RE – energia elektryczna – sektor mieszkaniowy

**ENT – Nośniki energii (ENergy Types)**

- ELC – energia elektryczna
- LTH – ciepło niskotemperaturowe
- HCO – węgiel kamienny
- LIG – węgiel brunatny
- NGA – gaz ziemny
- OTH – inne paliwa
- BIO – biomasa
- BGS – biogaz
- BBG – biomasa i biogaz
- HYD – energia spadku wody
- WIN – energia wiatru
- LQD – paliwa ciekłe dla elektrowni i EC
- PAX – paliwa dla lokalnych źródeł ciepła
- URN – uran dla EJ
- SOL – energia słońca
- GEO – energia geotermalna
- SMW – odpady komunalne stale
- CON – Technologie przetwarzania energii (CONversion technologies)

- E10 – el. ciepłe zawodowe – węgiel kamienny (WK) i brunatny (WB)

- E11 – el. ciepłe zawodowe na WK
- E12 – el. ciepłe zawodowe na WB
- E1A – el. ciepłe zawodowe na WK – nowe (2010–2025)
- E1B – el. ciepłe zawodowe na WB – nowe (2010–2025)
- E1D – IGCC CCS – WK
- E1E – PF CCS – WK
- E20 – el. jądrowe
- E2A – el. jądrowe nowe z reaktorami PWR (2025–2030)
- E2B – EJ Gen IV – GTMHR (wzbogacenie U235 19%)
- E2C – EJ Gen IV – PBR *Pebble bed reactor* (wzbogacenie U235 9%)
- E30 – el. niezależne – odnawialne źródła energii (OZE)
- E31 – el. wodne przepływowe – niezależne
- E33 – el. wiatrowe
- E34 – el. biogazowe
- E35 – el. na biomasę
- E3A – farmy wiatrowe – nowe (2010–2025)
- E3B – el. wiatrowe – offshore
- E3C – panele fotowoltaiczne PV
- E3D – el. ze zgazowaniem upraw energetycznych (biomasa)
- E3E – układ gazowo-parowy GTCC ze zgazowaniem biomasy
- E3F – układ gazowo-parowy CCGT ze zgazowaniem biomasy z sekwestracją CO<sub>2</sub> (po 2030 roku)
- E3G – el. ze zgazowaniem upraw energetycznych (biomasa) – nowsza
- E3H – silnik gazowy na biogaz
- E3J – układ z turbiną parową opalany odpadami komunalnymi
- E40 – el. wykorzystujące gaz ziemny (GZ)
- E4A – źródła gazowe interwencyjne (2015–2025)
- E4B – el. ciepłe zawodowe na GZ – nowe (2010–2025)
- E4C – układ gazowo-parowy GTCC z CCS
- E4E – ogniwa paliwowe na gaz ziemny
- E50 – el. wodne i szczytowo-pompowe zawodowe
- E52 – el. wodne zawodowe pozostałe (z dopływem naturalnego)
- E53 – el. szczytowo-pompowe
- E55 – el. z członem pompowym
- E60 – ec zawodowe i niezależne
- E64 – elektrociepłownie zawodowe – EC1
- E65 – elektrociepłownie zawodowe – EC2
- E66 – elektrociepłownie zawodowe – EC3
- E67 – elektrociepłownie zawodowe – EC4
- E68 – elektrociepłownie niezależne – ECN
- E6A – ec zawodowe na WK – nowe (2010–2025)
- E6B – ec zawodowe na GZ – nowe (2010–2025)
- E6C – ec zawodowe na BIO – nowe (2010–2025)
- E6D – EC biogaz (nowa)
- E6E – EC ogniwa paliwowe (gaz ziemny)
- E6F – CHP mikro-turbina gazowa (<120 kW)
- E80 – ec przemysłowe
- E81 – ec przemysłowe na WK
- E82 – ec przemysłowe na GAZ
- E83 – ec przemysłowe na biomasę i biogaz
- E84 – ec przemysłowe na inne paliwa
- H10 – ciepłownie zawodowe
- H10 – ciepłownie zawodowe (istniejące)

- H1A – ciepłownia na gaz ziemny
- H1B – ciepłownia geotermalna
- H1C – ciepłownia na kolektory słoneczne
- H1D – ciepłownia na biomasę
- H20 – ciepłownie niezawodowe
- H20 – ciepłownie niezawodowe (istniejące)
- H30 – lokalne źródła ciepła
- H31 – przemysł
- H32 – usługi
- H33 – gospodarstwa domowe
- H34 – rolnictwo
- H40 – indywidualne źródła ciepła (dopełnienie bilansu ciepła)
- H40 – indywidualne – dla dopełnienia bilansu ciepła

**SRCENC – Opcje pozyskania energii (SouRCe ENergy Carrier Price level)**

- IMPELC1 – import energii elektrycznej
- IMPELC2 – import energii elektrycznej
- EXPELC1 – eksport energii elektrycznej
- MINHCO1 – wydobycie węgla kamiennego
- IMPHCO1 – import węgla kamiennego
- MINLIG1 – wydobycie węgla brunatnego
- MINNGA1 – wydobycie gazu ziemnego
- IMPNGA1 – import gazu ziemnego
- MINOTH1 – pozyskanie – inne paliwa
- RNWBIO1 – pozyskanie biomasy
- RNWBGS1 – pozyskanie biogazu
- RNWBGG1 – pozyskanie – biomasa i biogaz
- MINLQD1 – pozyskanie paliw ciekłych
- MINPAX1 – pozyskanie innych paliw
- IMPURN1 – import uranu
- RNWSMW1 – pozyskanie odpadów komunalnych stały

**4. Podsumowanie**

W kolejnej części cyklu artykułów zaprezentowany zostanie zbiór założeń przyjętych w modelu MARKAL dla Polski. Przedstawione zostaną również prognozy zapotrzebowania na energię elektryczną i ciepło oraz prognoza wyłączenia bloków energetycznych w istniejących elektrowniach i elektrociepłowniach, a także sporządzone zostanie zestawienie zawierające wskaźniki techniczno-ekonomiczne technologii energetycznych uwzględnionych w bazie danych modelu.

**Bibliografia**

1. Zapotrzebowanie mocy w KSE, PSE Operator SA, Konstancin-Jeziorna 2012, <http://www.pse-operator.pl/index.php?dzid=77>.
2. Statystyka Elektroenergetyki Polskiej (2001–2009), Agencja Rynku Energii (ARE) SA, Warszawa 2002–2010
3. Statystyka Ciepłownictwa Polskiego (2007–2009), Agencja Rynku Energii (ARE) SA, Warszawa 2008–2010.
4. Jaskólski M., Modelowanie rozwoju regionalnych systemów energetycznych ze szczególnym uwzględnieniem bioenergii, rozprawa doktorska, Politechnika Gdańska, Gdańsk 2006.
5. Jaskólski M., Bućko P., Modelowanie rozwoju systemów energetycznych z uwzględnieniem mechanizmów promowania odnawialnych źródeł energii, *Archiwum Energetyki* 2007, tom XXXVII,

- numer specjalny: XII Międzynarodowa Konferencja Naukowa „Aktualne problemy w elektroenergetyce APE '07”, Polska Akademia Nauk, Komitet Problemów Energetyki, Gdańsk 2007.
6. Jaskólski M., Bućko P., Odwzorowanie mechanizmów promowania odnawialnych źródeł energii w modelach rozwoju systemów energetycznych, *Rynek Energii*, kwiecień 2007, nr 2(69), s. 41–47, Kaprint, Lublin 2007.
  7. Fishbone L.G. i in., User's Guide For MARKAL (BNL/KFA Version 2.0)”. IEA, Upton, Long Island, New York and KFA, Jülich, Germany, 1983.
  8. Loulou R., Goldstein G., Noble K., Documentation for the MARKAL Family of Models, Energy Technology Systems Analysis Programme, October 2004.
  9. Seebregts A.J., Goldstein G.A., Smekens K., Energy/Environmental Modeling with the MARKAL Family of Models, International Resources Group, Washington 2000.
  10. Kamrat W., Metody oceny efektywności inwestowania w elektroenergetyce, Wydawnictwo Politechniki Gdańskiej, Gdańsk 2004.
  11. Waltrowski T., Babraj P., Polityka inwestycyjna spółek dystrybucyjnych a bezpieczeństwo dostaw energii, *Wokół Energetyki*, grudzień 2004.

---

**Marcin Jaskólski**

dr inż.

Politechnika Gdańska

e-mail: mjask@ely.pg.gda.pl

Pracuje w Katedrze Elektroenergetyki Politechniki Gdańskiej. Obszar jego zainteresowań, oprócz zintegrowanego modelowania rozwoju systemów energetycznych, obejmuje wykorzystanie odnawialnych zasobów energii i energetykę jądrową.