

STABILITY OF SOFTLY SWITCHED MULTIREGIONAL DYNAMIC OUTPUT CONTROLLERS WITH A STATIC ANTIWINDUP FILTER: A DISCRETE-TIME CASE

TOMASZ ZUBOWICZ *, MIETEK A. BRDYS^{*,**}

* Department of Control System Engineering
Gdańsk University of Technology, ul. Narutowicza 11/12, 80-233 Gdańsk, Poland
e-mail: tomasz.zubowicz@gmail.com, m.brdys@eia.pg.gda.pl

** School of Electronic, Electrical and Computer Engineering
College of Engineering and Physical Sciences
University of Birmingham, Birmingham B15 2TT, UK
e-mail: m.brdys@bham.ac.uk

This paper addresses the problem of model-based global stability analysis of discrete-time Takagi–Sugeno multiregional dynamic output controllers with static antiwindup filters. The presented analyses are reduced to the problem of a feasibility study of the Linear Matrix Inequalities (LMIs), derived based on Lyapunov stability theory. Two sets of LMIs are considered candidate derived from the classical common quadratic Lyapunov function, which may in some cases be too conservative, and a fuzzy Lyapunov function candidate, which has been proven to significantly reduce the conservatism level, although at the cost of increasing the number of LMIs. Two numerical examples illustrate the main result.

Keywords: Lyapunov, stability analysis, fuzzy control, antiwindup.

1. Introduction

In the literature, a majority of techniques utilized to analyse the stability of Takagi–Sugeno (TS) fuzzy control systems include Lyapunov theory, Linear Matrix Inequalities (LMIs) and bilinear matrix inequalities. In some of these approaches, invariant set theory has been also incorporated.

Stability analysis of the TS system was presented by Tanaka and Sugeno (1992) while the relaxed stability conditions for the continuous-time case by Tanaka *et al.* (1998). The design and stability of fuzzy logic multiregional output controllers (discrete-time case) were presented by Domański *et al.* (1999) and further developed by Tatjewski (2007). The latter introduced fuzzy Lyapunov functions into the analysis.

Stability analysis involving extended Lyapunov theory and systematic design of TS fuzzy control systems for the continuous-time case were considered by Xiu and Ren (2005). There were some trials to incorporate information about the shape of the membership functions of the TS system.

A fuzzy Lyapunov function approach to design and analysis of continuous-time domain TS fuzzy control systems was addressed by Rhee and Won (2006).

The state of the art in design and analysis of model-based fuzzy control systems was presented by Feng (2006). A stable indirect adaptive controller utilising TS system was developed by Qi and Brdys (2008) for tracking control of uncertain nonlinear discrete-time systems. The controller parameter adaptation was extended by Qi and Brdys (2009) to cover also the adaptation of the TS plant model structure.

This work aims at the problem of model-based stability analysis of TS type fuzzy control systems which utilize the dynamic output controllers with static antiwindup filters through the feasibility study of LMIs. These conditions are derived based on Lyapunov stability theory. In the presented analyses it is assumed that the control process can be represented by a TS fuzzy model with an arbitrary small modelling error. This is based on the well known universal approximation theorem (see Yaochu, 2002). Two approaches are regarded: where the LMIs are derived based on a Common Quadratic

Lyapunov Function (CQLF) candidate and that based on a Fuzzy Lyapunov Function (FLF) due to certain conservatism reduction (see Feng, 2006; Tatjewski, 2007).

The main contribution of the paper is introduction of tools for global stability verification of the TS fuzzy output feedback controller with regional controllers that (regionally) may be regarded as PI controllers with static antiwindup filtration. The problem of the global stability verification is posed as a feasibility study of a set of LMIs. Two distinct sets of LMIs are introduced. The first is based on the CQLF and the second is derived from the FLF. Technically, a formal description of the PI with a static antiwindup filter was acquired from Gomes da Silva and Tarbouriech (2006). Throughout the technical analysis of the problem it occurred that the results obtained extended the above mentioned work to a much wider class of problem.

The multiregional approach undertaken in this paper allowed designing a globally stable nonlinear controller which utilised all the advantages of the PI controller. Although controller robustness with respect to uncertainty is not directly tackled it is achieved due to well-known robustness of regional PI controllers. Therefore, the paper offers not only a fresh approach to a nonlinear control design but also significantly extends the results obtained by Gomes da Silva and Tarbouriech (2006). Similarly as in their work, applying the sector condition by Khalil (1996) is a key technical step in deriving the LMI stability conditions. As nonlinear plant modelling is carried out within a fuzzy Takagi–Sugeno framework, the fuzzy Lyapunov function can be applied, which leads to less conservative LMI conditions.

The work by Gomes da Silva and Tarbouriech (2006) has been continued towards linear systems with time varying parameters which are measurement accessible (Castelan *et al.*, 2006; 2010; Gomes da Silva *et al.*, 2008; Klug *et al.*, 2011). Therefore, the issue of robustness has not been addressed. In the works of Castelan *et al.* (2010) and Klug *et al.* (2011), a linear compensator with time-varying parameters and an antiwindup filter have been obtained by applying Lyapunov contractive set theory and ellipsoidal approximation of the largest region of attraction of desired equilibrium in the LMI format.

This paper is organized as follows. Problem statement is described in Section 2. Section 3 addresses the main results by introducing derived theorems. Section 4 presents two numerical examples. Section 5 concludes the paper. To increase the legibility of the work, two appendices, containing the proofs of derived theorems are added.

2. Problem statement

Consider a nonlinear process given by

$$\dot{\mathbf{x}} = f(\mathbf{x}(t), \bar{\mathbf{u}}(t)), \quad (1)$$

where $\mathbf{x}(t)$ is a state vector, $\bar{\mathbf{u}}(t)$ is the controlled input and the function f is known.

Assume that, based on the universal approximation theorem plant dynamics (1) can be represented with an arbitrary small modelling error by a TS fuzzy model. In this case a discrete-time fuzzy approximation had been chosen. The corresponding inference rule set describing the system dynamics is as follows:

$$R^i : \text{If } z_1(k) \text{ is } MF_1^i \text{ and } \dots \text{ and } z_v \text{ is } MF_v^i \text{ then} \\ \mathbf{x}^i(k+1) = \mathbf{A}^i \mathbf{x}(k) + \mathbf{B}^i \bar{\mathbf{u}}(k) + \mathbf{a}^i; \quad (2)$$

where $\mathbf{x}(k) \in \mathbb{R}^n$, $\bar{\mathbf{u}}(k) \in \mathbb{R}^{nu}$ are state and input vectors respectively, $\mathbf{A}^i \in \mathbb{R}^{n \times n}$, $\mathbf{B}^i \in \mathbb{R}^{n \times nu}$, $\mathbf{a}^i \in \mathbb{R}^{n \times 1}$ are system matrices; $z_s(k)$ are the measurable variables of the system, i.e., state variables; MF_s^i are the fuzzy sets, $i = \overline{1, p}$ is the region indicator, p denotes the number of regions, $s = \overline{1, v}$ is the fuzzy set indicator, v denotes the number of fuzzy sets, \mathbb{R} represents the set of real numbers.

The model (2) can equivalently be described by

$$\mathbf{x}(k+1) = \sum_{i=1}^p h^i(\mathbf{z}(k)) [\mathbf{A}^i \mathbf{x}(k) + \mathbf{B}^i \bar{\mathbf{u}}(k) + \mathbf{a}^i], \quad (3)$$

where the firing strength of the i -th rule $h^i(\mathbf{z}(k))$ is defined as

$$h^i(\mathbf{z}(k)) = \prod_{s=1}^v w_s^i(z_s(k)) / \sum_{i=1}^p \prod_{s=1}^v w_s^i(z_s(k)), \quad (4)$$

where $w_s^i(z_s(k))$ is the weight resulting from MF_s^i , and the system output is given by

$$\mathbf{y}(k) = \sum_{i=1}^p h^i(\mathbf{z}(k)) \mathbf{C}^i \mathbf{x}(k), \quad (5)$$

where the matrices and vectors are defined as follows: $\mathbf{y}(k) \in \mathbb{R}^{no}$ is the process output and \mathbf{C}^i is the output matrix of appropriate dimensions. The control input might be subjected to the actuator saturation, thus

$$\bar{\mathbf{u}}(k) = g(\text{sat}(\mathbf{u}(k)) + \mathbf{b}), \quad (6)$$

where the saturation function is defined as $\text{sat}(\cdot) = \text{sign}(\cdot) \min\{1, |\cdot|\}$, $\mathbf{u}(k)$ is the unconstrained controller output, g is the output scaling factor, \mathbf{b} is the saturation function offset. Also, due to the definition of the saturation function and (6), it may be regarded as a decentralised function of the form $\text{sat}(\cdot) = [\text{sat}_1(\cdot) \dots \text{sat}_{no}(\cdot)]^T$.

The controller chosen to stabilize the output of the plant (1), represented by (2) or equivalently (3), on a desired value is a multiregional PI type compensator based on TS fuzzy reasoning (Domański *et al.*, 1999; Tatjewski,

2007; Han *et al.*, 2008; Zubowicz *et al.*, 2010) and is given by the following inference rule set:

$$R^i : \text{If } z_1(k) \text{ is } MF_1^i \text{ and } \dots \text{ and } z_v \text{ is } MF_v^i \text{ then} \begin{cases} \mathbf{u}^i(k) = \mathbf{x}_c^i(k) - \mathbf{D}_c^i \mathbf{y}(k) + \mathbf{D}_c^i \mathbf{r}(k), \\ \mathbf{x}_c^i(k+1) = \mathbf{x}_c^i(k) - \mathbf{B}_c^i \mathbf{y}(k) + \mathbf{B}_c^i \mathbf{r}(k) \\ \quad + \mathbf{E}_c^i (\text{sat}(\mathbf{u}(k)) - \mathbf{u}(k)) + \mathbf{E}_c^i \mathbf{b}, \end{cases} \quad (7)$$

where $\mathbf{x}_c^i(k) \in \mathbf{R}^{nc}$ and $\mathbf{u}^i(k)$ are the state and control signals generated by the i -th TS regional controller, respectively, $\mathbf{r}(k)$ is the reference trajectory input which is assumed to be piece-wise constant, \mathbf{B}_c^i , \mathbf{E}_c^i , \mathbf{D}_c^i are controller matrices defined as

$$\begin{aligned} \mathbf{B}_c^i &= [K_I^i / c_{mx}], \\ \mathbf{D}_c^i &= [K_P^i / c_{mx}], \\ \mathbf{E}_c^i &= [K_I^i K_{AW}^i], \end{aligned} \quad (8)$$

where K_P^i , K_I^i , K_{AW}^i are the proportional, integral and antiwindup gains, respectively, c_{mx} is the controller input scaling factor.

The resulting controller representation is as follows:

$$\begin{aligned} \mathbf{u}(k) &= \sum_{i=1}^p h^i [\mathbf{x}_c(k) - \mathbf{D}_c^i \mathbf{y}(k) + \mathbf{D}_c^i \mathbf{r}(k)], \quad (9) \\ \mathbf{x}_c(k+1) &= \sum_{i=1}^p h^i [\mathbf{x}_c(k) - \mathbf{B}_c^i \mathbf{y}(k) + \mathbf{B}_c^i \mathbf{r}(k)] \\ &\quad \times \sum_{i=1}^p h^i [\mathbf{E}_c^i (\text{sat}(\mathbf{u}(k)) - \mathbf{u}(k)) + \mathbf{E}_c^i \mathbf{b}], \end{aligned} \quad (10)$$

where $h^i \triangleq h^i(\mathbf{z}(k))$; the definitions of $\mathbf{x}_c(k)$ and $\mathbf{u}(k)$ result from a TS reasoning scheme, that is, $\mathbf{x}_c(k) \triangleq \sum_{i=1}^p h^i \mathbf{x}_c^i(k)$ and $\mathbf{u}(k) \triangleq \sum_{i=1}^p h^i \mathbf{u}^i(k)$.

3. Model-based stability analysis of the closed loop control system

In this section the main result of the paper is presented. Based on Lyapunov stability theory, sufficient conditions for stability of the Closed Loop (CL) system are presented in the form of a feasibility study of derived LMIs. The two presented approaches utilize the CQLF and the FLF as candidate functions respectively.

3.1. Closed loop system description. Extending the state vector as $\xi(k) = [\mathbf{x}^T(k) \quad \mathbf{x}_c^T(k)]^T$, where $\xi(k) \in \mathbf{R}^{n+nu}$, and utilizing (3), (5), (6), (9) and (10)

yields the CL system representation,

$$\begin{aligned} \xi(k+1) &= \sum_{i=1}^p \sum_{j=1}^p h^i h^j [\mathbf{A}_{CL}^{ij} \xi(k) + \mathbf{B}_{r1}^{ij} \mathbf{r}(k)] \\ &\quad - \sum_{i=1}^p \sum_{j=1}^p h^i h^j \left[\mathbf{B}_{\Psi}^{ij} \Psi \left(\sum_{i=1}^p h^j [\mathbf{K}^j \xi(k) + \mathbf{B}_{r2}^j \mathbf{r}(k)] \right) \right] \\ &\quad - \sum_{i=1}^p \sum_{j=1}^p h^i h^j [\mathbf{B}_a^{ij}], \end{aligned} \quad (11)$$

where $\Psi(\cdot)$ is a nonlinear vector function, resulting from antiwindup filtration, defined as $\Psi(\cdot) = \text{sat}(\cdot) - (\cdot)$; \mathbf{A}_{CL}^{ij} , \mathbf{B}_{r1}^{ij} , \mathbf{B}_{Ψ}^{ij} , \mathbf{K}^j , \mathbf{B}_{r2}^j , \mathbf{B}_a^{ij} are the CL system matrices defined as follows:

$$\begin{aligned} \mathbf{A}_{CL}^{ij} &= \begin{bmatrix} \mathbf{A}^i - g \mathbf{B}^i \mathbf{D}_c^j \mathbf{C}^i & g \mathbf{B}^i \\ -\mathbf{B}_c^j \mathbf{C}^i & \mathbf{I}^{no \times nu} \end{bmatrix}, \\ \mathbf{B}_{\Psi}^{ij} &= \begin{bmatrix} g \mathbf{B}^i \\ -\mathbf{E}_c^j \end{bmatrix}, \\ \mathbf{B}_{r1}^{ij} &= \begin{bmatrix} g \mathbf{B}^i \mathbf{D}_c^j \mathbf{C}^i \\ \mathbf{B}_c^j \mathbf{C}^i \end{bmatrix}, \\ \mathbf{K}^j &= [-\mathbf{D}_c^j \mathbf{C}^i \quad \mathbf{I}^{1 \times 1}], \\ \mathbf{B}_{r2}^j &= [\mathbf{D}_c^j \mathbf{C}^i], \\ \mathbf{B}_a^{ij} &= \begin{bmatrix} \mathbf{b}^i \\ \mathbf{E}_c^j \mathbf{b}^i \end{bmatrix}, \end{aligned} \quad (12)$$

while the change in indexation results from

$$\sum_{i=1}^p h^i \sum_{j=1}^p h^j = \sum_{i=1}^p \sum_{j=1}^p h^i h^j.$$

A considerable simplification can be made by rewriting (11) as

$$\begin{aligned} \xi(k+1) &= \sum_{l=1}^K h^l [\mathbf{A}_{CL}^l \xi(k) + \mathbf{B}_{r1}^l \mathbf{r}(k)] \\ &\quad - \sum_{l=1}^K h^l \left[\mathbf{B}_{\Psi}^l \Psi \left(\sum_{l=1}^K h^l [\mathbf{K}^l \xi(k) + \mathbf{B}_{r2}^l \mathbf{r}(k)] \right) \right] \\ &\quad - \sum_{l=1}^K h^l [\mathbf{B}_a^l], \end{aligned} \quad (13)$$

where $l = \overline{1, K}$ and $K = \sum_{k=1}^p k$.

For the purpose of stability validation only the internal dynamics of the extended state vector are important, so in further analysis an autonomous system given by

$$\xi(k+1) = \sum_{l=1}^K h^l [\mathbf{A}_{CL}^l \xi(k) - \mathbf{B}_{\Psi}^l \Psi(\xi(k))], \quad (14)$$

is considered where $\Psi(\xi(k)) \equiv \Psi\left(\sum_{l=1}^K h^l [\mathbf{K}^l \xi(k)]\right)$ is introduced to simplify the notation.

3.2. CQLF based stability analysis. Sufficient conditions for global stability of the system (14) are given in Theorem 1. The presented approach is an extension of that by Gomes da Silva and Tarbouriech (2006); see Section 1.

Theorem 1. *The system (14) is globally stable if the following set of LMIs (15) is satisfied:*

$$\begin{bmatrix} \mathbf{X} & -\mathbf{X}(\mathbf{K}^l)^T & -\mathbf{X}(\mathbf{A}_{CL}^l)^T \\ \mathbf{K}^l \mathbf{X} & 2\mathbf{Y} & \mathbf{Y}(\mathbf{B}_{\Psi}^l)^T \\ \mathbf{A}_{CL}^l \mathbf{X} & \mathbf{B}_{\Psi}^l \mathbf{Y} & \mathbf{X} \end{bmatrix} > 0, \quad (15)$$

with a diagonal matrix $\mathbf{Y} > 0$, $\mathbf{Y} \in \mathbb{R}^{nu \times nu}$, and a matrix $\mathbf{X} = \mathbf{X}^T > 0$, $\mathbf{X} \in \mathbb{R}^{(n+nu) \times (n+nu)}$. Here $l = \overline{1, K}$ and $K = \sum_{l=1}^p k$.

Finding a feasible solution to the LMI system (15) guarantees that the CQLF is strictly decreasing along the trajectory of the system, thus implying the asymptotic stability. A complete proof is given in Appendix A.

3.3. FLF based stability analysis. Sufficient and less conservative conditions for global stability of the system (14) are given in the following result.

Theorem 2. *Consider positive-definite matrices $\mathbf{X}^{\rho} = (\mathbf{X}^{\rho})^T$, $\mathbf{X}^l = (\mathbf{X}^l)^T$ and $\mathbf{X}^l, \mathbf{X}^{\rho} \in \mathbb{R}^{(n+nu) \times (n+nu)}$; and diagonal positive-definite matrix \mathbf{Y} , $\mathbf{Y} \in \mathbb{R}^{nu \times nu}$. The CL system is globally stable if the LMI*

$$\begin{bmatrix} \mathbf{X}^l & -\mathbf{X}^l(\mathbf{K}^l)^T & -\mathbf{X}^l(\mathbf{A}_{CL}^l)^T \\ \mathbf{K}^l \mathbf{X}^l & 2\mathbf{Y} & \mathbf{Y}(\mathbf{B}_{\Psi}^l)^T \\ \mathbf{A}_{CL}^l \mathbf{X}^l & \mathbf{B}_{\Psi}^l \mathbf{Y} & \mathbf{X}^{\rho} \end{bmatrix} > 0, \quad (16)$$

is satisfied, where $\rho, l = \overline{1, K}$ and $K = \sum_{k=1}^p k$.

For the proof, see Appendix B.

Remark 1. Note that, by choosing fuzzy Lyapunov function matrices \mathbf{P}^l , where $l = \overline{1, K}$, according to

$$\mathbf{P}^1 = \mathbf{P}^2 = \dots = \mathbf{P}^K = \mathbf{P}^*, \quad (17)$$

the following holds:

$$\mathbf{P}(\mathbf{z}(k)) = \sum_{l=1}^K h^l \mathbf{P}^l = \mathbf{P}^* \sum_{l=1}^K h^l = \mathbf{P}^*. \quad (18)$$

Hence the fuzzy Lyapunov function defined by (A4) becomes the Lyapunov function defined by (A1) with $\mathbf{P} = \mathbf{P}^*$. In other words, any solutions of the LMI (15) can be used to design the solution of the LMI

(16). This simply means that by applying Theorem 2 certain conservatism reduction can be obtained. This reduction has been achieved by adding an extra degree of freedom in designing the Lyapunov function, namely, by applying Theorem 2. Instead of looking for a single matrix satisfying all LMI conditions (see Theorem 1), one can search for a different matrix in every separate region just ensuring that in the ‘transition’ (mixed) regions certain properties (given by the LMIs) hold. This actually results in greater freedom in choosing the controller gains in comparison to Theorem 1. This, however, is at the cost of an increase in the number of LMIs.

4. Numerical example

In this section two numerical examples are considered. One is an application of the derived theorems to verify the stability of the CL control system utilised to stabilise the pH level in a continuous stirred tank pH neutralisation reactor.

Example 1. Consider a nonlinear plant (modified example introduced originally by Tatjewski (2007)), whose dynamics can be represented by a TS fuzzy system,

$$\begin{aligned} R_1 : \text{If } z_1^1 \text{ is } MF_1^1 \text{ then} \\ \mathbf{x}(k+1) = 0.7\mathbf{x}(k) + 0.8\mathbf{u}(k), \end{aligned} \quad (19)$$

$$\begin{aligned} R_2 : \text{If } z_1^2 \text{ is } MF_1^2 \text{ then} \\ \mathbf{x}(k+1) = 0.3\mathbf{x}(k) + 0.2\mathbf{u}(k), \end{aligned}$$

and a designed (according to the procedure presented by Han *et al.*, (2008) and Zubowicz *et al.* (2010), multiregional controller, whose parameters of which are as follows: $K_P^1 = 0.9$; $K_P^2 = 2$; $K_I^1 = 0.4$; $K_I^2 = 1$; $K_{AW}^1 = 0.3$; $K_{AW}^2 = 0.5$; $g = 2$; $c_{mx} = 1$.

Solving (15) with the data presented above resulted in finding the following matrices

$$\mathbf{P} = \begin{bmatrix} 0.1055 & 0.0286 \\ 0.0286 & 0.4541 \end{bmatrix},$$

$$\mathbf{T} = [1.108].$$

On the other hand, solving the LMI problem (16) with the same data set produced a solution with the following matrices

$$\mathbf{P}^1 = \begin{bmatrix} 0.1581 & 0.0490 \\ 0.0490 & 0.7663 \end{bmatrix},$$

$$\mathbf{P}^{12} = \begin{bmatrix} 0.1574 & 0.0402 \\ 0.0402 & 0.6440 \end{bmatrix},$$

$$\mathbf{P}^2 = \begin{bmatrix} 0.3646 & 0.1381 \\ 0.1381 & 0.7121 \end{bmatrix},$$

$$\mathbf{T} = 1.0e+7 [1.6737].$$

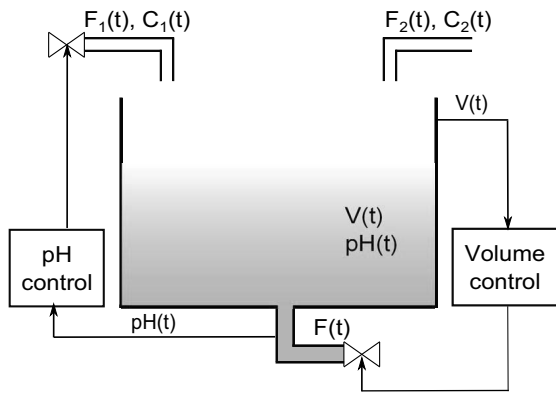


Fig. 1. Continuous stirred tank pH neutralisation reactor.

Clearly, the structure of the Lyapunov function determined by matrices \mathbf{P}^1 , \mathbf{P}^{12} , \mathbf{P}^2 is less restrictive than the structure of such a function defined by matrix \mathbf{P} . \blacklozenge

Example 2. Consider a continuous stirred tank pH neutralisation reactor (see Fig. 1) given by the following set of nonlinear dynamic equations (following Domański *et al.*, 1999):

$$\frac{dV\eta}{dt} = F_1 C_1 - (F_1 + F_2)\eta, \quad (20)$$

$$\frac{dV\zeta}{dt} = F_2 C_2 - (F_1 + F_2)\zeta, \quad (21)$$

$$\frac{dV}{dt} = F_1 + F_2 - F, \quad (22)$$

$$[H^+]^3 + a[H^+]^2 + b[H^+] + c = 0, \quad (23)$$

where

$$\eta \cong [HAC] + [AC^-],$$

$$\zeta \cong [Na^+],$$

$$pH = -\log_{10}[H^+],$$

$$a = (K_a + \zeta),$$

$$b = (K_a(\zeta - \eta) - K_w),$$

$$c = -K_a K_w, \quad C_1 = 0.32 \text{ [mol/l]}$$

is the acid concentration in flow F_1 , $C_2 = 0.05005$ [mol/l] is the acid concentration in flow F_2 , $V^* = 1000$ [l], $K_a = 1.8e-5$ and $K_w = 1.0e-14$ are acid and water equilibrium constants respectively $F_1(0) = 81$ [l/min], $F_2(0) = 512$ [l/min].

In this example a discretisation time T_s equal to 0.1 s was utilised.

The CL matrices are as follows:

$$\mathbf{A}_{CL}^1 = \begin{bmatrix} 1.5447 & -0.7755 & 0.1542 & -0.2070 \\ 1 & 0 & 0 & 0 \\ 0 & 1 & 0 & 0 \\ 0.0142 & 0 & 0 & 1 \end{bmatrix},$$

$$\mathbf{A}_{CL}^{12} = \begin{bmatrix} 0.3878 & -0.0098 & -0.2418 & -3.8835 \\ 1.0000 & 0 & 0 & 0 \\ 0 & 1 & 0 & 0 \\ 0.0074 & 0 & 0 & 1 \end{bmatrix},$$

$$\mathbf{A}_{CL}^2 = \begin{bmatrix} 0.7832 & 0.7559 & -0.6378 & -7.5600 \\ 1 & 0 & 0 & 0 \\ 0 & 1 & 0 & 0 \\ 0.0007 & 0 & 0 & 1 \end{bmatrix},$$

$$\mathbf{A}_{CL}^{23} = \begin{bmatrix} 0.0225 & 0.1832 & -0.3054 & -3.9195 \\ 1 & 0 & 0 & 0 \\ 0 & 1 & 0 & 0 \\ 0.0095 & 0 & 0 & 1 \end{bmatrix},$$

$$\mathbf{A}_{CL}^3 = \begin{bmatrix} 1.2439 & -0.3896 & 0.0270 & -0.2790 \\ 1 & 0 & 0 & 0 \\ 0 & 1 & 0 & 0 \\ 0.0183 & 0 & 0 & 1 \end{bmatrix},$$

$$\mathbf{B}_{\Psi}^1 = [-0.2070 \quad 0 \quad 0 \quad 0.0425]^T,$$

$$\mathbf{B}_{\Psi}^{12} = [-3.8835 \quad 0 \quad 0 \quad 0.0218]^T,$$

$$\mathbf{B}_{\Psi}^2 = [-7.5600 \quad 0 \quad 0 \quad 0.0011]^T,$$

$$\mathbf{B}_{\Psi}^{23} = [-3.9195 \quad 0 \quad 0 \quad 0.0417]^T,$$

$$\mathbf{B}_{\Psi}^3 = [-0.2790 \quad 0 \quad 0 \quad 0.0823]^T,$$

$$\mathbf{K}^1 = [0.2222 \quad 0 \quad 0 \quad 1],$$

$$\mathbf{K}^{12} = [0.1167 \quad 0 \quad 0 \quad 1],$$

$$\mathbf{K}^2 = [0.0111 \quad 0 \quad 0 \quad 1],$$

$$\mathbf{K}^{23} = [0.1472 \quad 0 \quad 0 \quad 1],$$

$$\mathbf{K}^3 = [0.2833 \quad 0 \quad 0 \quad 1],$$

Verifying system stability by solving the LMI conditions of Theorem 1 in the search of a CQLF for a CL system yields

$$\mathbf{P} = \begin{bmatrix} 0.1032 & 0 & 0 & 0.0001 \\ 0 & 0.7016 & 0 & 0 \\ 0 & 0 & 0.7016 & 0 \\ 0.0001 & 0 & 0 & 0.7016 \end{bmatrix},$$

$$\mathbf{T} = [22.8412].$$

Solving the LMI conditions of Theorem 2 gives

$$\mathbf{P}^1 = \begin{bmatrix} 0.6631 & 0 & 0 & 0.0054 \\ 0 & 1.4878 & 0 & 0 \\ 0 & 0 & 1.4878 & 0 \\ 0.0054 & 0 & 0 & 1.4877 \end{bmatrix},$$

$$\mathbf{P}^{12} = \begin{bmatrix} 0.1857 & 0 & 0 & 0.0002 \\ 0 & 1.2609 & 0 & 0 \\ 0 & 0 & 1.2609 & 0 \\ 0.0002 & 0 & 0 & 1.2608 \end{bmatrix},$$

$$\mathbf{P}^2 = \begin{bmatrix} 0.1857 & 0 & 0 & 0.0002 \\ 0 & 1.2609 & 0 & 0 \\ 0 & 0 & 1.2609 & 0 \\ 0.0002 & 0 & 0 & 1.2608 \end{bmatrix},$$

$$\mathbf{P}^{23} = \begin{bmatrix} 0.1857 & 0 & 0 & 0.0002 \\ 0 & 1.2609 & 0 & 0 \\ 0 & 0 & 1.2609 & 0 \\ 0.0002 & 0 & 0 & 1.2608 \end{bmatrix},$$

$$\mathbf{P}^3 = \begin{bmatrix} 0.6525 & 0 & 0 & 0.0104 \\ 0 & 1.4878 & 0 & 0 \\ 0 & 0 & 1.4878 & 0 \\ 0.0104 & 0 & 0 & 1.4876 \end{bmatrix},$$

$$\mathbf{T} = [41.4704].$$

Similarly as in Example 1, the approach utilising FLF (see Theorem 2) generates less restrictive solutions. This results in extra freedom during controller design (choosing controller gains). ♦

To sum up, notice that in both examples the two derived theorems were successfully applied to verify the stability of the CL systems. However, the approach resulting from Theorem 2 was identified as less conservative as it gives an extra degree of freedom (see Remark 1).

A standard MathWorks MATLAB LMI toolbox was applied to find solutions to LMI feasibility problems introduced in both presented examples.

5. Conclusions

The work presented in this paper addressed the stability verification problem of closed loop control systems comprising of Takagi–Sugeno multiregional dynamic output controllers with static antiwindup filters. Sufficient stability conditions were derived based on the common quadratic Lyapunov function and a fuzzy Lyapunov function, respectively, in the form of an LMI feasibility test. The main result of the paper was supported by two numerical examples, one of which was stability verification of the closed loop control system utilised for pH neutralisation in a continuous stirred tank reactor. The undergoing research is on deriving LMI conditions which will quantify controller robustness assured by robustness of regional PI controllers.

Acknowledgment

This work was supported by the EU COST Action IC0806: *Intelligent Monitoring, Control and Security*

of *Critical Infrastructure Systems (IntelliCIS)* and the Polish Ministry of Science and Higher Education Grant No. 638/N/COST/09/20/2010/0: *Intelligent systems for monitoring, control and security of critical infrastructure plants: Methodology, structures, algorithms and applications to drinking water distribution networks (InSIK)*. The authors wish to express their thanks for the support.

References

- Castelan, E., Leite, V., Miranda, M. and Moraes, V. (2010). Synthesis of output feedback controllers for a class of nonlinear parameter-varying discrete-time systems subject to actuator limitations, *Proceedings of the American Control Conference, ACC 2010, Baltimore, MD, USA*, pp. 4235–4240.
- Castelan, E., Moreno, U. and de Pieri, E. (2006). Absolute stabilisation of discrete-time systems with sector bounded nonlinearity under control saturations, *IEEE International Symposium on Circuits and Systems, ISCAS 2006, Island of Kos, Greece*, pp. 3105–3108.
- Domański, P., Brdyś, M.A. and Tatjewski, P. (1999). Design and stability of fuzzy logic multi-regional output controllers, *International Journal of Applied Mathematics and Computer Science* 9(4): 883–897.
- Feng, G. (2006). A survey on analysis and design of model-based fuzzy control systems, *IEEE Transaction on Fuzzy Systems* 14(5): 676–697, DOI: 10.1109/TFUZZ.2006.883415.
- Gomes da Silva, Jr., J.M., Corso, J. and Castelan, E. (2008). Output feedback stabilization for systems presenting sector-bounded nonlinearities and saturating inputs, *Proceedings of the 17th IFAC World Congress, Seoul, Korea*, pp. 14109–14114.
- Gomes da Silva, Jr., J.M. and Tarbouriech, S. (2006). Anti-windup design with guaranteed regions of stability for discrete-time linear systems, *System Control Letters* 55(3): 184–192, DOI: 10.1016/j.sysconle.2005.07.001.
- Han, Y., Brdyś, M. and Piotrowski, R. (2008). Nonlinear PI control for dissolved oxygen tracking at wastewater treatment plant, *Proceedings of the IFAC World Congress, IFAC WC 2008, Seoul, Korea*, DOI: 10.3182/20080706-5-KR-1001.0477.
- Khalil, H. (1996). *Nonlinear Systems*, 2nd Edn., Prentice-Hall, Upper Saddle River, NJ.
- Klug, M., Castelan, E. and Leite, V. (2011). A dynamic compensator for parameter varying systems subject to actuator limitations applied to a T–S fuzzy system, *Proceedings of the IFAC World Congress, IFAC WC 2011, Milan, Italy*, pp. 14495–14500.
- Qi, R. and Brdyś, M. (2008). Stable indirect adaptive control based on discrete-time T–S fuzzy model, *Fuzzy Sets and Systems* 159(8): 900–925, DOI: 10.1016/j.fss.2007.08.009.
- Qi, R. and Brdyś, M.A. (2009). Indirect adaptive controller based on a self-structuring fuzzy system for nonlinear

- modeling and control, *International Journal of Applied Mathematics and Computer Science* **19**(4): 619–630, DOI: 10.2478/v10006-009-0049-8.
- Rhee, B.-J. and Won, S. (2006). A new fuzzy Lyapunov function approach for Takagi–Sugeno fuzzy control systems design, *Fuzzy Sets and Systems* **157**(9): 1211–1228, DOI:10.1016/j.fss.2005.12.020.
- Tanaka, K., Ikeda, T. and Wang, H. (1998). Fuzzy regulators and fuzzy observers: Relaxed stability conditions and LMI-based design, *Fuzzy Sets and Systems* **6**(2): 250–265, DOI: 10.1109/91.669023.
- Tanaka, K. and Sugeno, M. (1992). Stability analysis and design of fuzzy control systems, *Fuzzy Sets and Systems* **45**(2): 135–156, DOI: 10.1016/0165-0114(92)90113-I.
- Tatjewski, P. (2007). *Advanced Control of Industrial Processes: Structures and Algorithms*, Springer, London.
- Wang, Y., Sun, Z. and Sun, F. (2004). Stability analysis and control of discrete-time fuzzy systems: A fuzzy Lyapunov function approach, *Proceedings of the 5th Asian Control Conference, Melbourne, Australia*, pp. 1855–1860, DOI: 10.1109/ASCC.2004.184913.
- Xiu, Z. and Ren, G. (2005). Stability analysis and systematic design of Takagi–Sugeno fuzzy control systems, *Fuzzy Sets and Systems* **151**(1): 119–138, DOI: 10.1016/j.fss.2004.04.008.
- Yaochu, J. (2002). *Advanced Fuzzy Systems Design and Applications*, Physica-Verlag, Heidelberg/New York, NY.
- Zubowicz, T., Brdyś, M. and Piotrowski, R. (2010). Intelligent PI controller and its application to dissolved oxygen tracking problem, *Journal of Automation, Mobile Robotics & Intelligent Systems* **4**(3): 16–24.



control and security of critical infrastructure systems.

Tomasz Zubowicz received his M.Sc. degree in control engineering from the Faculty of Electrical and Control Engineering at the Gdańsk University of Technology in 2008. Then he began doctoral studies at the Department of Control Systems Engineering at the same university. In 2012 he became a permanent staff member of the department. His current research interests concern fuzzy control, model predictive control, biologically inspired control structures, monitoring,



Mietek A. Brdyś received the M.Sc. degree in electronic engineering and the Ph.D. and D.Sc. degrees in control systems from the Institute of Automatic Control at the Warsaw University of Technology in 1970, 1974 and 1980, respectively. From 1974 to 1983, he held the posts of an assistant professor and an associate professor at the Warsaw University of Technology. In 1992 he became a full professor of control systems in Poland. Between 1978 and 1995, he held various visiting faculty positions at the University of Minnesota, City University, De Montfort University and the University Polytechnic of Catalunya. Since January 1989, he has held the post of a senior lecturer in the Department of Electronic, Electrical and Computer Engineering at the University of Birmingham, where he is the head of the Control and Decision Support Research Laboratory. Since February 2001 he has held the

post of a full professor of control systems in the Department of Automatic Control at the Gdańsk University of Technology. He has served as a consultant for Honeywell Systems and Research Centre in Minneapolis, GEC Marconi and Water Authorities in the UK, France, Spain, Germany and Poland. His research is supported by UK and Polish research councils, as well as the industry and the European Commission. He is the author and a co-author of about 220 refereed papers and 6 books. His current research includes intelligent decision support and control of large scale complex systems, robust monitoring and control, softly switched robustly feasible model predictive control and integrated monitoring, control and security of critical infrastructure systems. Applications include environmental systems, technological processes, power smart grids and defence systems. He is a chartered engineer, a member of the IEE, a senior member of the IEEE, a fellow of the IMA and the chair of the IFAC Technical Committee on Large Scale Complex Systems. He was the IPC chair of the *11th IFAC Symposium on Large Scale Complex Systems*, (2007) and will serve as the IPC chair of the *13th LSCS Symposium* (2013).

Appendix A

Proof of Theorem 1

Consider the discrete-time CQLF candidate

$$V(\xi(k)) = \xi^T(k) \mathbf{P} \xi(k), \quad (\text{A1})$$

where $\xi(k)$ is the trajectory of the CL system. The function $V(\xi(k))$ is considered to be positive-definite in $D \setminus 0$ and $\mathbf{P} = \mathbf{P}^T > 0$, $\mathbf{P} \in \mathbb{R}^{(n+nu) \times (n+nu)}$.

The difference along the trajectory of the system is given by

$$\begin{aligned} \Delta V(\xi(k)) &= V(\xi(k+1)) - V(\xi(k)) \\ &= \xi^T(k+1) \mathbf{P} \xi(k+1) - \xi^T(k) \mathbf{P} \xi(k). \end{aligned} \quad (\text{A2})$$

By inserting (14) into (A2), we obtain

$$\begin{aligned} \Delta V(\xi(k)) &= \sum_{l=1}^K h^l [\xi^T(k) ((\mathbf{A}_{CL}^l)^T \mathbf{P} \mathbf{A}_{CL}^l - \mathbf{P}) \xi(k)] \\ &\quad - \sum_{l=1}^K h^l [2\xi^T(k) ((\mathbf{A}_{CL}^l)^T \mathbf{P} \mathbf{B}_{\Psi}^l) \Psi(\xi(k))] \\ &\quad + \sum_{l=1}^K h^l [\Psi^T(\xi(k)) ((\mathbf{B}_{\Psi}^l)^T \mathbf{P} \mathbf{B}_{\Psi}^l) \Psi(\xi(k))]. \end{aligned} \quad (\text{A3})$$

Applying the sector condition (Khalil, 1996),

$$\Psi^T(\xi(k)) \mathbf{T} \left[\Psi(\xi(k)) - \sum_{l=1}^K h^l [\mathbf{K}^l \xi(k)] \right], \quad (\text{A4})$$

with a diagonal matrix $\mathbf{T} > 0$, $\mathbf{T} \in \mathbb{R}^{(nu) \times (nu)}$, into the right hand side of the inequality (A3), and knowing that

$0 \leq \sum_{l=1}^K h^l \leq 1$, yields the upper bound,

$$\begin{aligned} \Delta V(\xi(k)) &\leq \xi^T(k) \left((\mathbf{A}_{CL}^l)^T \mathbf{P} \mathbf{A}_{CL}^l - \mathbf{P} \right) \xi(k) \\ &\quad - 2\xi^T(k) \left((\mathbf{A}_{CL}^l)^T \mathbf{P} \mathbf{B}_{\Psi}^l - (\mathbf{K}^l)^T \mathbf{T} \right) \Psi(\xi(k)) \\ &\quad + \Psi^T(\xi(k)) \left((\mathbf{B}_{\Psi}^l)^T \mathbf{P} \mathbf{B}_{\Psi}^l - 2\mathbf{T} \right) \Psi(\xi(k)), \end{aligned} \quad (\text{A5})$$

or

$$\begin{aligned} \Delta V(\xi(k)) &\leq - \left[\xi^T(k) \Psi(\xi(k)) \right] \\ &\quad \times \begin{bmatrix} \mathbf{P} - (\mathbf{A}_{CL}^l)^T \mathbf{P} \mathbf{A}_{CL}^l & (\mathbf{K}^l)^T \mathbf{T} - (\mathbf{A}_{CL}^l)^T \mathbf{P} \mathbf{B}_{\Psi}^l \\ * & 2\mathbf{T} - (\mathbf{B}_{\Psi}^l)^T \mathbf{P} \mathbf{B}_{\Psi}^l \end{bmatrix} \\ &\quad \times \begin{bmatrix} \xi^T(k) \\ \Psi(\xi(k)) \end{bmatrix}. \end{aligned} \quad (\text{A6})$$

From (A6) it is straightforward that the candidate function (A1) is a global CQLF for the system (14) if the matrix in the quadratic form of (A6) is positive-definite with diagonal matrix $\mathbf{T} > 0$ and matrix $\mathbf{P} = \mathbf{P}^T > 0$. It is also straightforward that by applying Schur's compliment to (15) and pre-and post-multiplying it by $\begin{bmatrix} \mathbf{P} & \mathbf{0} \\ \mathbf{0} & \mathbf{T} \end{bmatrix}$ with $\mathbf{X} = \mathbf{P}^{-1}$ and $\mathbf{Y} = \mathbf{T}^{-1}$ one obtains an expression equivalent to the matrix present in the quadratic form (A6), which concludes the proof.

Appendix B

Proof of Theorem 2

Consider the discrete-time FLF candidate

$$V(\xi(k)) = \xi^T(k) \mathbf{P}(\mathbf{z}(k)) \xi(k), \quad (\text{B1})$$

where

$$\mathbf{P}(\mathbf{z}(k)) = \sum_{l=1}^K h^l(\mathbf{z}(k)) \mathbf{P}^l,$$

$$\mathbf{P}^l = (\mathbf{P}^l)^T > 0,$$

$\mathbf{P}^l \in \mathbb{R}^{(n+nu) \times (n+nu)}$, for $\mathbf{z}(k) \in \mathbb{R}^v$.

The difference along the trajectory of the system is given by

$$\begin{aligned} \Delta V(\xi(k)) &= \xi^T(k+1) \left(\sum_{\rho=1}^K h^{\rho}(\mathbf{z}(k+1)) \mathbf{P}^{\rho} \right) \xi(k+1) \\ &\quad - \xi^T(k) \left(\sum_{l=1}^K h^l(\mathbf{z}(k)) \mathbf{P}^l \right) \xi(k). \end{aligned} \quad (\text{B2})$$

By inserting (14) into (B2) one gets

$$\begin{aligned} \Delta V(\xi(k)) &= \sum_{l=1}^K \sum_{\rho=1}^K \sum_{m=1}^K h^l h_{+}^{\rho} h^m \\ &\quad \times \left[\mathbf{A}_{CL}^l \xi(k) - \mathbf{B}_{\Psi}^l \Psi(\xi(k)) \right]^T \mathbf{P}^{\rho} \\ &\quad \times \left[\mathbf{A}_{CL}^m \xi(k) - \mathbf{B}_{\Psi}^m \Psi \left(\sum_{m=1}^K h^m \mathbf{K}^m \xi(k) \right) \right] \end{aligned} \quad (\text{B3})$$

$$- \sum_{l=1}^K \sum_{\rho=1}^K \sum_{m=1}^K h^l h_{+}^{\rho} h^m \left\{ \xi^T(k) \mathbf{P}^l \xi(k) \right\}, \quad (\text{B4})$$

where $l, \rho, m = \overline{1, K}$, $h_{+}^{\rho} \equiv h^{\rho}(\mathbf{z}(k+1))$.

Knowing that

$$\mathbf{P}(\mathbf{z}(k)) = \sum_{l=1}^K \sum_{\rho=1}^K \sum_{m=1}^K h^l h_{+}^{\rho} h^m \mathbf{P}^l, \quad (\text{B5})$$

the expression (B3) can be rewritten as

$$\begin{aligned} \Delta V(\xi(k)) &= \xi^T(k) \sum_{l=1}^K \sum_{\rho=1}^K \sum_{m=1}^K h^l h_{+}^{\rho} h^m \\ &\quad \times \left[(\mathbf{A}_{CL}^l)^T \mathbf{P}^{\rho} \mathbf{A}_{CL}^m - \mathbf{P}^l \right] \xi(k) \\ &\quad - \xi^T(k) \sum_{l=1}^K \sum_{\rho=1}^K \sum_{m=1}^K h^l h_{+}^{\rho} h^m \\ &\quad \times \left[(\mathbf{A}_{CL}^l)^T \mathbf{P}^{\rho} \mathbf{B}_{\Psi}^m \right] \Psi \left(\sum_{m=1}^K h^m \mathbf{K}^m \xi(k) \right) \\ &\quad - \sum_{l=1}^K \sum_{\rho=1}^K \sum_{m=1}^K h^l h_{+}^{\rho} h^m \\ &\quad \times \Psi^T(\xi(k)) \left[(\mathbf{B}_{\Psi}^l)^T \mathbf{P}^{\rho} \mathbf{A}_{CL}^m \right] \xi(k) \\ &\quad + \sum_{l=1}^K \sum_{\rho=1}^K \sum_{m=1}^K h^l h_{+}^{\rho} h^m \\ &\quad \times \Psi^T(\xi(k)) \left[(\mathbf{B}_{\Psi}^l)^T \mathbf{P}^{\rho} \mathbf{B}_{\Psi}^m \right] \Psi \left(\sum_{m=1}^K h^m \mathbf{K}^m \xi(k) \right). \end{aligned} \quad (\text{B6})$$

Since

$$\begin{aligned} \Theta_1 &= \sum_{m=1}^K \sum_{m=1}^K h^l h^m \left[(\mathbf{A}_{CL}^l)^T \mathbf{P}^{\rho} \mathbf{A}_{CL}^m - \mathbf{P}^l \right] \\ &= \sum_{l=1}^K (h^l)^2 \left[(\mathbf{A}_{CL}^l)^T \mathbf{P}^{\rho} \mathbf{A}_{CL}^l - \mathbf{P}^l \right] \end{aligned} \quad (\text{B7})$$

$$\begin{aligned}
 & + \sum_{l=1}^K \sum_{m=1}^K h^l h^m [(\mathbf{A}_{CL}^l)^T \mathbf{P}^\rho \mathbf{A}_{CL}^m - \mathbf{P}^l] \\
 & + \sum_{l=1}^K \sum_{m=1}^K h^l h^m [(\mathbf{A}_{CL}^m)^T \mathbf{P}^\rho \mathbf{A}_{CL}^l - \mathbf{P}^m], \quad (\text{B8})
 \end{aligned}$$

it follows that

$$\begin{aligned}
 \Theta_1 & \leq \sum_{l=1}^K (h^l)^2 [(\mathbf{A}_{CL}^l)^T \mathbf{P}^\rho \mathbf{A}_{CL}^l - \mathbf{P}^l] \\
 & + \sum_{l=1}^K \sum_{m=1}^K h^l h^l [(\mathbf{A}_{CL}^l)^T \mathbf{P}^\rho \mathbf{A}_{CL}^l - \mathbf{P}^l] \\
 & + \sum_{l=1}^K \sum_{m=1}^K h^l h^m [(\mathbf{A}_{CL}^m)^T \mathbf{P}^\rho \mathbf{A}_{CL}^m - \mathbf{P}^m] \\
 & = \sum_{l=1}^K h^l [(\mathbf{A}_{CL}^l)^T \mathbf{P}^\rho \mathbf{A}_{CL}^l - \mathbf{P}^l] = \tilde{\Theta}_1. \quad (\text{B9})
 \end{aligned}$$

Other parts of the expression (B6) can be bounded similarly,

$$\Theta_2 \leq \sum_{l=1}^K h^l [(\mathbf{A}_{CL}^l)^T \mathbf{P}^\rho \mathbf{B}_\Psi^l] \Psi(\xi(k)) = \tilde{\Theta}_2, \quad (\text{B10})$$

$$\Theta_3 \leq \sum_{l=1}^K h^l \Psi^T(\xi(k)) [(\mathbf{B}_\Psi^l)^T \mathbf{P}^\rho \mathbf{A}_{CL}^l] = \tilde{\Theta}_3, \quad (\text{B11})$$

$$\begin{aligned}
 \Theta_4 & \leq \sum_{l=1}^K h^l \Psi^T(\xi(k)) [(\mathbf{B}_\Psi^l)^T \mathbf{P}^\rho \mathbf{B}_\Psi^l] \Psi(\xi(k)) \\
 & = \tilde{\Theta}_4. \quad (\text{B12})
 \end{aligned}$$

As in the work of Wang *et al.* (2004), by utilising (B9)–(B12), the following upper bound on the difference of the FLF candidate can be obtained:

$$\begin{aligned}
 \Delta V(\xi(k)) & \leq \xi^T(k) \sum_{\rho=1}^K h_+^\rho \tilde{\Theta}_1 \xi(k) - \xi^T(k) \sum_{\rho=1}^K h_+^\rho \tilde{\Theta}_2 \\
 & - \sum_{\rho=1}^K h_+^\rho \tilde{\Theta}_3 \xi(k) + \sum_{l=1}^K h^l \tilde{\Theta}_4. \quad (\text{B13})
 \end{aligned}$$

The rest follows analogously to the proof of Theorem 1.

Received: 31 December 2011

Revised: 2 August 2012

