

Mechanical Strength of MV Ship-switchgear During Fault Arc

Authors

Roman Partyka
 Daniel Kowalak

Keywords

metal enclosed switchgear, fault arc, gas pressure, gas temperature, mechanical stresses in enclosures

Abstract

In this paper the analysis of pressure stressed in an enclosure during fault arc inside switchgear is also presented. There is introduced the method based on determining stresses which are the sum of tensile stresses (membrane) and deflection stresses. For tensile stresses analysis the energy method, for unrestrainedly supported rectangular plate, was used. Further in the paper, the calculations and measurements results of enclosure stresses were shown. Dimensions of analyzed enclosure were 0.48 x 0.52. Also, an oscillogram record from laboratory tests was given further in the paper. There were demonstrated the results of calculations of maximum stresses σ_{sum} in an enclosure an analyzed cable compartment of marine switchgear during fault arc.

In the presented paper the calculation method of pressure and temperature of gases inside MV marine switchgear during fault arc was presented. Simultaneous equation (1) gives a thermodynamic model of processes concurrent to fault arcs inside air insulated switchgear. Simultaneous equation (1) enables calculation of pressure p and temperature T based on average arc power P_L . The above mentioned model is particularly useful for analysis of pressure and temperature in switchgears equipped with slots or overpressure reducing canals. Calculated, according to (1), temperature is the average temperature in the area encompassed by the fault arc. Formulating it more strictly; that area is defined by the product of volume V and coefficient c . The method does not count a spatiotemporal distributions of temperature and pressure in the total volume of the compartment.

DOI: 10.12736/issn.2300-3022.2015107

Introduction

Recently reasonable growth of power supply demand on ships and oil platforms has been observed. Deadweight tonnage and cruising speed of the ships are increasing. Increasingly high power electric motor drives are used. As the number and power of the loads grows the power output of the electric power generation system needs to be higher. For a larger electric power generation system medium voltage level is required, typically 6 kV or 10 kV. Regardless of the system voltage level, there is always a risk of system failure due to a fault arc in the main switchgear. The problem of reducing the effects of fault arcs in switchgear is particularly important regarding ships and oil platforms operating in extreme conditions and often away from the mainland. Crews of these remote vessels are reliant only on their own supplies and [6, 7].

During fault arc, inside enclosed air insulated switchgear, the air within space around the arc is rapidly heated. Heated air within space around the arc induces increased temperature and pressure of gases.

Pressure growth may cause malformation of metal enclosures and doors, as well as damage metal plates fixings. The hot and ionized gases may flow out through damaged enclosures, posing a serious threat to vessel personnel. Therefore marine switchgears need to be safe and able to minimize the effects of fault arcs. Marine switchgears also need to possess the required mechanical strength. Furthermore enclosures and doors with fixings should not be damaged due to a fault arc. Rigidity and mechanical strength of the doors and enclosures prevents the ionized gases outflow and in effect guarantees the safety of personnel present within the switchgear perimeter. In order to maintain safety it may be necessary to equip switchgear with pressure reducers. Pressure reducers is a aperture or outlet duct (nozzle) which provides gas outflow in safe direction.

Pressure and temperature of the gases, during fault arc inside switchgear, depend on several factors such as; non equipped compartment volume, busbars geometry, arc power and cross section area of overpressure reducing canal (ORC) [8].

Regarding arc power within 8–10 MW, the standard design of switchgear and standard cross section area of ORC determine maximum overpressure inside switchgear up to 20 kPa [3]. In that case enclosure reinforcement is not necessary [8]. Regarding arc fault power level higher than 10 MW enclosure and door reinforcement is required [4].

In medium voltage enclosed switchgear door and enclosure dimensions are dependent on the height and width of the single compartment. Enclosure dimensions are typically within 0.6 x 0.9 m to 0.9 x 1.3 m (width, height) and thickness 3 mm.

In the presented paper there are calculations of pressure and temperature magnitude of gases inside cable compartment of medium voltage switchgear during arc fault of 8.52 MW, by prospective short circuit-current equal $I_k'' = 7.7$ kA. The analyzed medium voltage switchgear is located on a container ship [10].

Subsequently evaluation of mechanical strength of analyzed compartment enclosure is presented. Analysis was restricted to calculation of the maximum deflection of enclosure center surface and then to calculation of stresses and compare them to permissible values of stresses. In Fig. 1, the exemplary section of medium voltage switchgear unit is presented. Considering dimensions of particular compartments as well as width of the switchgear unit equal to 700 mm, the dimensions of cable compartment enclosure are equal to 600 x 700 mm and sheet thickness equal to 3 mm.

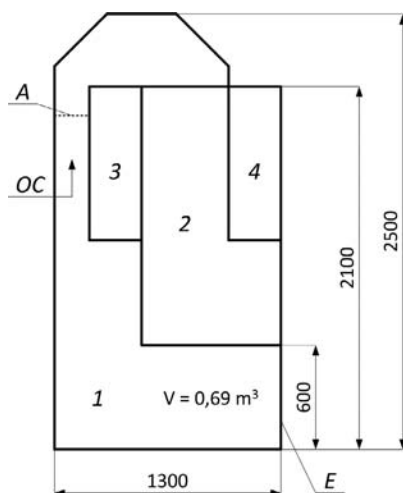


Fig. 1. Cross section area of analyzed MV draw out switchgear unit: 1 – cable-connection compartment, 2 – circuit breaker compartment, 3 – busbars compartment, 4 – low voltage compartment (electrical control panel); OC – outlet canal, E – enclosure of the cable compartment, A – area cross-section of outlet canal; panel width 700 mm

Pressure and temperature analysis of gases inside cable compartment during fault arc

According to requirements of marine classifications societies standards and regulations, in order to reduce effects of fault arc and ensure the mechanical strength of doors and enclosures, marine

switchgears should be equipped with a pressure reducer [7]. Regardless of PRS, it is required to apply rapid fault disconnection initiated by sensors. The sensor is actuated by arc radiation, gas temperature or gas pressure. Breaking sequence cannot exceed the time of 0.1 s.

Gas pressure and temperature calculations were based on following simultaneous equation [8]:

$$\frac{dp}{dt} = \frac{R_i}{cV} \left[\frac{k_p P_L + (0,094T^2 + 682T_0)C_2}{0,188T - 0,094T_0 + 682} \right] \quad (1)$$

$$\frac{dT}{dt} = \frac{R_i T}{cVp} \left[\frac{k_p P_L - (0,094T + 682)(T - T_0)C_2}{0,188T - 0,094T_0 + 682} \right]$$

where:

$$C_2 = -\alpha A p \sqrt{\frac{2\kappa}{R_i T (\kappa - 1)}} \sqrt{\left(\frac{p_0}{p}\right)^{\frac{2}{\kappa}} - \left(\frac{p_0}{p}\right)^{\frac{\kappa+1}{\kappa}}}$$

and: p – pressure, T – temperature, P_L – arc power, V – volume of compartment, R_i – individual gas constant, A – cross-section area of outlet canal, κ – constant, k_p , c , α – coefficients. Initial conditions are given as: $p_0 = 101325$ Pa and $T_0 = 300$ K.

Simultaneous equation (1) gives a thermodynamic model of processes concurrent to fault arcs inside air insulated switchgear. Temperature calculated according to (1) is average temperature in the area encompassed by a fault arc. Formulating it more strictly; that area is defined by the product of volume V and coefficient c . That method is the averaged method, which does not include spatiotemporal distributions of temperature and pressure in the total volume of the compartment. Values of coefficients k_p , c and α are determined experimentally.

For performed calculations the following data was given:

- arc power $P_L = 8.52$ MW [2,5]
- coefficient $k_p = 0.49$
- cable compartment volume $V = 0.69$ m³
- volume coefficient $c = 0.8$
- coefficient $\alpha = 0.76$
- overpressure reducing canal cross section area $A = 0.15$ m².

The results of pressure and temperature were presented in Fig. 2.

Calculated maximum pressure value is $p_{max} = 120,1$ kPa, maximum temperature value – $T_{max} = 6927$ K. Hence maximum overpressure is $\Delta p_{max} = p_{max} - p_0 = 18,8$ kPa, for $p_0 = 101,3$ kPa.

Enclosure mechanical strength analysis

In most cases in enclosed switchgear, especially when short circuit power is low, the enclosures or doors do not have additional reinforcement and have low rigidity, dependant only on the metal sheet thickness. For such enclosures maximum deflection and stresses, calculated by means of the traditional small deflection method, prove to be significantly larger than real maximum deflection and stresses determined in a laboratory.

In order to enable deflection and stresses calculations for

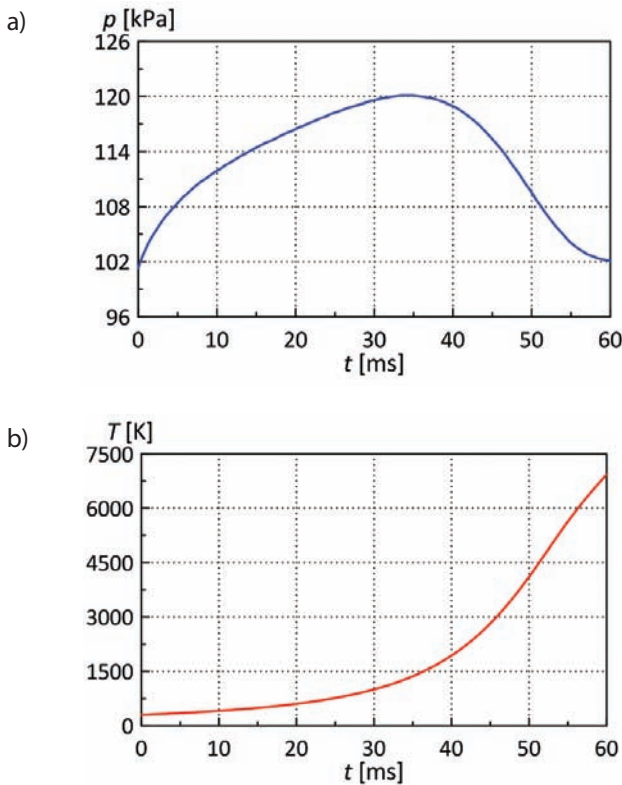


Fig. 2. Calculated pressure plot (a) and temperature (b) according to (1)

non-reinforced enclosures, a different method was proposed. The proposed method is based on determining stresses which are the sum of static tensile stresses (membrane) and static deflection stresses.

For tensile stresses analysis the energy method, for an unrestrainedly supported rectangular plate, was used. The membrane (door) elastic energy, cumulated as result of sole extension can be presented as follows [1]:

$$V_b = \frac{Eh}{2(1-\nu_p^2)} \int_{-\frac{a}{2}}^{\frac{a}{2}} \int_{-\frac{b}{2}}^{\frac{b}{2}} \left\{ \begin{aligned} & \left[\left(\frac{\partial u_x}{\partial x} \right)^2 + \frac{\partial u_x}{\partial x} \left(\frac{\partial w}{\partial x} \right)^2 + \left(\frac{\partial v_y}{\partial y} \right)^2 + \frac{\partial v_y}{\partial y} \left(\frac{\partial w}{\partial y} \right)^2 + \right. \\ & \left. + \frac{1}{4} \left[\left(\frac{\partial w}{\partial x} \right)^2 + \left(\frac{\partial w}{\partial y} \right)^2 \right]^2 + \right. \\ & \left. + 2\nu_p \left[\frac{\partial u_x}{\partial x} \frac{\partial v_y}{\partial y} + \frac{1}{2} \frac{\partial v_y}{\partial y} \left(\frac{\partial w}{\partial x} \right)^2 + \frac{1}{2} \frac{\partial u_x}{\partial x} \left(\frac{\partial w}{\partial y} \right)^2 \right] + \right. \\ & \left. + \frac{1-\nu_p}{2} \left[\left(\frac{\partial u_x}{\partial y} \right)^2 + 2 \frac{\partial u_x}{\partial y} \frac{\partial v_y}{\partial x} + \left(\frac{\partial v_y}{\partial x} \right)^2 + \right. \right. \\ & \left. \left. + 2 \frac{\partial u_x}{\partial y} \frac{\partial w}{\partial x} \frac{\partial w}{\partial y} + 2 \frac{\partial v_y}{\partial x} \frac{\partial w}{\partial x} \frac{\partial w}{\partial y} \right] \right\} dx dy \quad (2) \end{aligned} \right.$$

where:
 V_b – enclosure elastic energy, E – Young modulus, h – enclosure sheet thickness, ν_p – Poisson's ratio, w – enclosure deflection, u_x – medial surface displacement along x axis, v_y – medial surface displacement along y axis, a – length of enclosure shorter side, b – length of enclosure longer side.

In the energy method expressions of displacement u_x , v_y and w are assumed. These expressions have to fulfill proper boundary conditions. For displacements in formula (2) there are assumed solving functions which meet boundary conditions the same as for rectangular plates unrestrainedly supported [1], cognately as in variables separation method i.e.

$$w = w_0 \cos \frac{\pi x}{a} \cos \frac{\pi y}{b},$$

$$u_x = c_0 \sin \frac{2\pi x}{a} \cos \frac{\pi y}{b},$$

$$v_y = c_0 \sin \frac{2\pi y}{b} \cos \frac{\pi x}{a},$$

where:
 c_0, w_0 – parameters.

Putting into solving functions into (2) and preparing integration the following formula is obtained [8]:

$$V_b = \frac{Eh}{2(1-\nu_p^2)} (c_0^2 A - c_0 w_0^2 B + w_0^4 C) \quad (3)$$

where:

$$A = \pi^2 \left(\frac{b}{a} + \frac{a}{b} \right) \left(\frac{9-\nu_p}{8} \right) + \frac{16}{9} (\nu_p + 1) \quad (4)$$

$$B = \frac{2\pi^2}{3} \left[\left(\frac{b}{a^2} + \frac{a}{b^2} \right) - \left(\frac{1}{a} + \frac{1}{b} \right) \left(\frac{3\nu_p - 1}{4} \right) \right] \quad (5)$$

$$C = \frac{\pi^4 ab}{256} \left(\frac{9}{a^4} + \frac{2}{a^2 b^2} + \frac{9}{b^4} \right) \quad (6)$$

From virtual displacements method two equation are given [1]:

$$\frac{\partial V_b}{\partial c_0} = 0 \quad (7)$$

$$\frac{\partial V_b}{\partial w_0} = \int_{-\frac{a}{2}}^{\frac{a}{2}} \int_{-\frac{b}{2}}^{\frac{b}{2}} q_2 \cos \frac{\pi x}{a} \cos \frac{\pi y}{b} dx dy = q_2 \frac{4ab}{\pi^2} \quad (8)$$

where:
 q_2 – burden inducing extending stresses.

As result of further transformations the following formula is given:

$$\frac{\partial V_b}{\partial c_0} = \frac{Eh}{(1-\nu_p^2)} \left(c_0 A - \frac{w_0^2 B}{2} \right) = 0 \tag{9}$$

$$\frac{\partial V_b}{\partial w_0} = \frac{Eh}{(1-\nu_p^2)} (2w_0^3 C - c_0 w_0 B) = q_2 \frac{4ab}{\pi^2} \tag{10}$$

On the basis of the small deflection theory, the maximum door deflection is [1]:

$$w_m = \alpha_g \frac{q_1 a^4}{D} \tag{11}$$

where:

$\alpha_g = f\left(\frac{b}{a}\right)$, read from tables [1], q_1 – static load inducing deflection stresses based on small deflection theory, D – enclosure rigidity is presented by:

$$D = \frac{Eh^3}{12(1-\nu_p^2)}$$

Taking c_0 parameter from (9) and putting it into (10), there is given the expression for static load q_2 which induces tensile stresses:

$$q_2 = \frac{\pi^2 Eh}{4ab(1-\nu_p^2)} \left(2C - \frac{B^2}{2A} \right) w_0^3 \tag{12}$$

Assuming, that w_0 parameter is equal to maximum enclosure deflection w_m from (11), the q_1 is:

$$q_1 = \frac{D}{\alpha_g a^4} w_m \tag{13}$$

Aggregate load q_{sum} is equal to maximum overpressure Δp_{max} distributed evenly on enclosure surface and arising during a fault arc inside switchgear [8]:

$$q_{sum} = q_1 + q_2 = \Delta p_{max} = \frac{D}{\alpha_g a^4} w_m + \frac{\pi^2 Eh}{4ab(1-\nu_p^2)} \left(2C - \frac{B^2}{2A} \right) w_m^3 \tag{14}$$

As a result of solved equation (14), the maximum enclosure deflection w_m is given.

In a further sequence static deflection and tensile stresses, present in enclosure due overpressure Δp_{max} , need to be analysed.

Relative elongations (due to extending) are as following:

$$\varepsilon_x = \frac{2c_0 \pi}{a} = \frac{\pi B}{a A} w_m^2 \tag{15}$$

$$\varepsilon_x = \frac{2c_0 \pi}{a} = \frac{\pi B}{a A} w_m^2 \tag{16}$$

Components of extending stresses are:

$$\sigma_{xr} = \frac{E(\varepsilon_x + \nu_p \varepsilon_y)}{1-\nu_p^2} = \frac{\pi EB w_m^2}{A(1-\nu_p^2)} \left(\frac{1}{a} + \nu_p \frac{1}{b} \right) \tag{17}$$

$$\sigma_{yr} = \frac{E(\varepsilon_y + \nu_p \varepsilon_x)}{1-\nu_p^2} = \frac{\pi EB w_m^2}{A(1-\nu_p^2)} \left(\frac{1}{b} + \nu_p \frac{1}{a} \right) \tag{18}$$

In analysis conducted above, it is assumed that shorter side of the enclosure is parallel to x axis of Cartesian coordinate system. Deflection stresses in direction parallel to x axis, based on small deflection analysis, are:

$$\sigma_{xg} = \frac{3q_1 a^2 b^2}{4h^2 (a^2 + 1,61b^2)} \tag{19}$$

While in direction parallel to y axis:

$$\sigma_{yg} = \frac{q_1 a^2 (0,225b^3 + 0,382b^2 a - 0,32a^3)}{h^2 b^3} \tag{20}$$

where:

$$q_1 = \frac{7,033Eh^3 (b^3 + 2,21a^3)}{a^4 b^3} w_m \tag{21}$$

Aggregate maximum static stresses are respectively:

$$\sigma_{xsum} = \sigma_{xr} + \sigma_{xg} \tag{22}$$

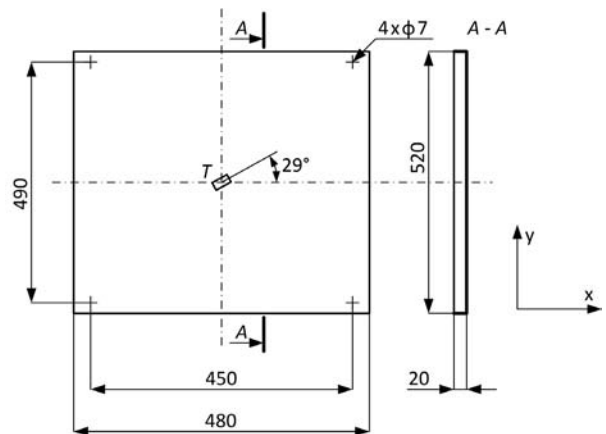


Fig. 3. Enclosure with dimensions of 0.48 x 0.52 m and metal sheet thickness of 2 mm, T – resistance strain gauge [8]

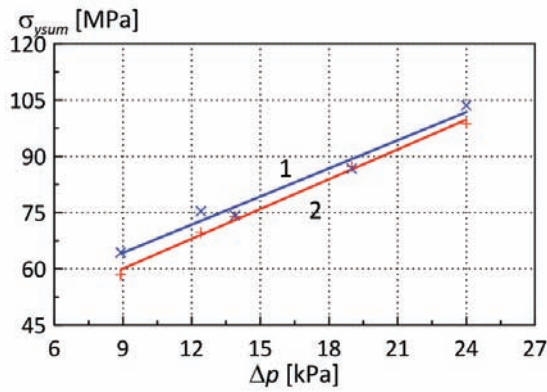


Fig. 4. Dependence of maximum stresses σ_{ysum} from overpressure Δp_{max} in enclosure with dimensions of 0.48 x 0.52 m and metal sheet thickness of 2 mm; 1 – calculations results, 2 – measurements results [8]

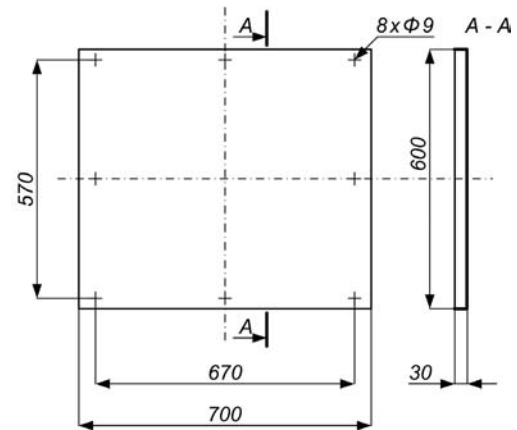


Fig. 6. Cable compartment enclosure

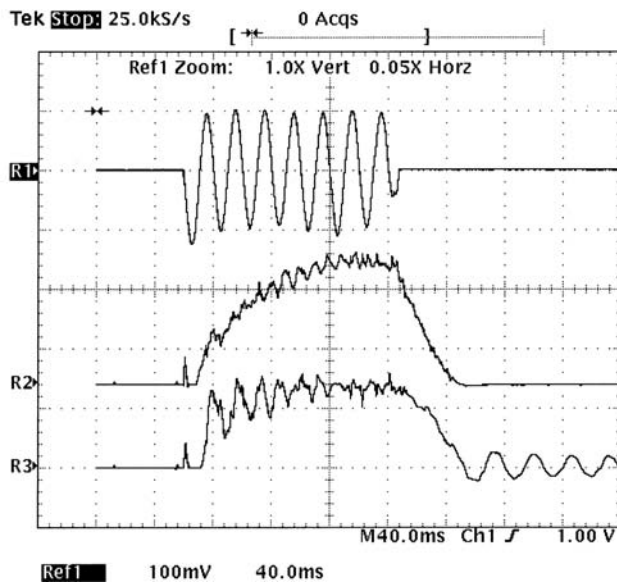


Fig. 5. Oscillogram record of performed non-reinforced enclosure test: R1 – fault current (4 kA/div.), R2 – overpressure inside the switchgear model (9 kPa/div.), R3 – stress at the enclosure midpoint (64 MPa/div.); maximum overpressure $\Delta p_{max} = 19.0$ kPa (averaged value), maximum stress $\sigma_{ysum} = 87.0$ MPa (averaged value), arc current $I_L = 2.9$ kA (RMS value), arc power $P_L = 2.7$ MW, enclosure with dimensions of 0.48 x 0.52 m and metal sheet thickness of 2 mm

$$\sigma_{ysum} = \sigma_{yr} + \sigma_{yg} \quad (23)$$

In the case of a rectangular shaped enclosure, where $b > a$, stresses $\sigma_{ysum} > \sigma_{xsum}$.

In Fig. 3 the enclosure dimensions 0.48 x 0.52 m are presented. Results of calculated and measurement maximum stresses in Fig. 4 are presented. The oscillogram record from the performed research is presented in Fig. 5.

Dimensions of cable compartment enclosure in Fig. 6 are presented.

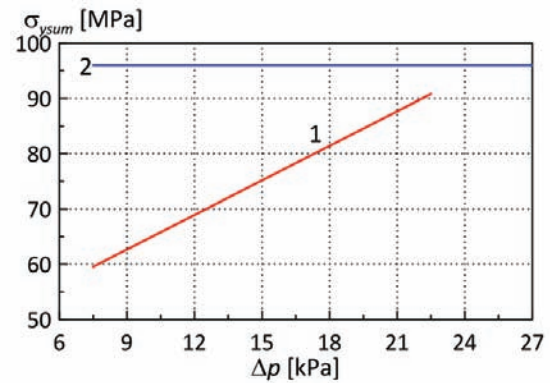


Fig. 7. Dependence of stresses σ_{ysum} (1) on overpressure Δp_{max} for non reinforced enclosure with dimensions 600 x 700 mm and thickness equal to 3 mm: 1 – dependence of stresses according to the equation (23), 2 – permissible stresses for St1 steel

Calculated maximum stresses in cable compartment enclosure of marine switchgear (acc. to Fig. 1) – σ_{ysum} depending on Δp_{max} are presented in Fig. 7.

Considering the dimensions of analyzed enclosure, at overpressure $\Delta p_{max} = 18.8$ kPa, calculated maximum stresses are: $\sigma_{ysum} = 85.0$ MPa and do not exceed permissible stresses for steel type St 1; $\sigma_{dop} = 96$ MPa. Further analysis proves that enclosure stresses $\sigma_{ysum} = \sigma_{dop}$ occurs when overpressure $\Delta p_{max} \approx 24$ kPa. For the same value of arc power and compartment volume, a pressure of 24 kPa occurs when a cross sectional area of overpressure reducing canal (ORC) is scaled-down, $A = 0.13$ m². Scaled down cross section area of ORC results in reduced dimensions of switchgear. This is particularly important in marine applications.

Summary

1. For minor fault arc power levels (up to 10 MW) in standard air insulated marine switchgears, gas overpressure inside compartments does not exceed 24 kPa. In that case mechanical strength of the enclosure and doors is guaranteed. Hence the safety operation of switchgear is ensured.

2. Calculation method of maximum deflection and stresses in non-reinforced enclosures is proposed. The presented method allows adequate analysis of switchgear mechanical strength problems based on the calculated value of maximum pressure.
3. The presented analysis methods of pressure and mechanical stresses in enclosures enable design of pressure reduction systems in marine switchgear.
4. Partyka R., Three phase travelling disturbance arc within leak-proof high voltage switchboards, 6th Int. Symposium on "Short – Circuit Currents in Power Systems", Liège (Belgium), 6–8 September 1994.
5. IEC 61363-1:1998 Electrical installation of ships and mobile and fixe offshore units – Part 1: Procedures for calculating short-circuit currents in three-phase a.c.
6. Międzynarodowa konwencja o bezpieczeństwie życia na morzu, SOLAS 1974: tekst ujednolicony, Polski Rejestr Statków, Gdańsk 2002.
7. Polski Rejestr Statków (PRS) – Przepisy klasyfikacji i budowy statków morskich, część VII, Urządzenia elektryczne i automatyzacja, Gdańsk 2005.
8. Partyka R., Badanie skutków zwarć łukowych w rozdzielnicach osłoniętych, Monografie 70, Wydawnictwo Politechniki Gdańskiej, Gdańsk 2006.
9. EN 62271-200:2012 High-voltage switchgear and controlgear – Part 200: AC metal-enclosed switchgear and controlgear for rated voltages above 1 kV and up to and including 52 kV.
10. Partyka R., Kowalak D., Skutki zwarć łukowych w średnionapięciowych rozdzielnicach okrętowych z izolacją powietrzną, *Przegląd Elektrotechniczny* 2013, nr 8.

REFERENCES

1. Timoshenko S., Woinowski-Krieger S., Teoria płyt i powłok, Warszawa 1962.
2. Partyka R., The measurements and analysis of energy balance of 3 phase short-circuit disturbance arc in metal clad high voltage switchboards, 37. Int. Wiss. Kolloquium. Ilmenau, Thüring-en 1992.
3. Partyka R., Pressure rise in metal enclosed high voltage switchgear during disturbance short-circuit arc., 2nd Int. Conference on "Electrical Contacts, Arcs, Apparatus and their Applications", Xi'an, China, 25–29 May 1993.

Roman Partyka

Gdańsk University of Technology
 e-mail: roman.partyka@pg.gda.pl

He received his M.Sc. (1972), Ph.D. (1987) degrees in Electrical Engineering from the Gdańsk University of Technology and D.Sc. degree in 2007 from the same university. Is an assistant professor in the Department of Mechatronics and High Voltage Engineering at the Technical University of Gdańsk. Research related to safety operation of electrical power devices, and especially the effects of fault arc in MV switchgear. Recent studies are related to the analysis of the mechanical strength in switchgear doors and panels due to increased gas pressure by fault arc. Research areas include the possibility of limiting the effects of fault arcs, including – the dynamics of the gas flow through the pressure reducers in switchgear during fault arcs.

Daniel Kowalak

Gdańsk University of Technology
 e-mail: daniel.kowalak@pg.gda.pl

He graduated from The Faculty of Electrical and Control Engineering of Gdańsk University of Technology (Poland) in 2006. At present, he is employed as an adjunct at his alma mater. He deals mainly with problems of fault-arcs in low-voltage enclosed switchgears. Recent research studies are related to the influence of fault-arcs on the switchgears construction. In particular his studies concern electrodynamic interactions in busbars systems of switchgears during fault-arcs.

This is a supporting translation of the original text published in this issue of "Acta Energetica" on pages 98–103. When referring to the article please refer to the original text.

PL

Wytrzymałość mechaniczna okrętowych rozdzielnic średniego napięcia podczas zwarc łukowych.

Autorzy

Roman Partyka
Daniel Kowalak

Słowa kluczowe

rozdzielnice osłonięte, łuk zwarciový, ciśnienie gazów, temperatura gazów

Streszczenie

W artykule przedstawiono analizę naprężeń w elementach osłonowych rozdzielnic z izolacją powietrzną, poddanych działaniu ciśnienia gazów podczas wewnętrznych zwarc łukowych. Zaproponowano metodę opartą na wyznaczeniu naprężeń będących sumą naprężeń rozciągających (błonowych) i naprężeń zginających. Do analizy naprężeń rozciągających zastosowano metodę energetyczną dla płyt prostokątnych swobodnie podpartych. Przedstawiono też metodę obliczania ciśnienia i temperatury gazów wewnątrz rozdzielnic okrętowej średniego napięcia podczas zwarcia łukowego. Układ równań (1) przedstawia model termodynamiczny procesów towarzyszących zwarciom łukowym wewnątrz rozdzielnic i umożliwia obliczanie ciśnienia p oraz temperatury T na podstawie średniej mocy łuku P_L . Model ten jest szczególnie przydatny do analizy ciśnienia i temperatury w rozdzielnicach wyposażonych w szczeliny lub kanały wypływowe. Obliczona wg równań (1) temperatura jest średnią temperaturą w obszarze objętym zwarcim łukowym, a ściślej w obszarze zdefiniowanym przez iloczyn objętości V i współczynnika c . Metoda nie uwzględnia rozkładu przestrzenno-czasowego temperatury i ciśnienia w całej objętości przedziału. W dalszej części artykułu przedstawiono wyniki obliczeń oraz pomiarów naprężeń w osłonie o wymiarach 0,48 x 0,52 m, jak również – oscylogram z prób laboratoryjnych. Podano wyniki obliczeń maksymalnych naprężeń σ_{sum} w osłonie analizowanego przedziału kablowego rozdzielnic okrętowej podczas zwarcia łukowego.

Wstęp

W ostatnich kilkunastu latach daje się zauważyć znaczny wzrost zapotrzebowania mocy na statkach i platformach wiertniczych. Zwiększa się nośność oraz prędkość podróży statków. Coraz częściej stosuje się napędy z silnikami elektrycznymi dużej mocy. Wraz ze wzrostem liczby i mocy odbiorów zwiększają się też moce elektrowni. Wtedy konieczne jest zastosowanie średniego napięcia, np. 6 kV lub 10 kV. Niezależnie od napięcia istnieje ryzyko awarii, związane z występowaniem zwarc łukowych w rozdzielnicach głównej. Problem ograniczania skutków zwarc łukowych w rozdzielnicach jest szczególnie ważny w odniesieniu do statków lub platform wiertniczych, pracujących w trudnych warunkach i często z dala od ładu. Załogi tych obiektów są zdane na własne siły [6, 7]. Podczas zwarc łukowych wewnątrz rozdzielnic osłoniętych z izolacją powietrzną następuje szybkie nagrzewanie powietrza w przestrzeni dookoła łuku, a w wyniku tego – wzrost ciśnienia i temperatury gazów.

Wzrost ciśnienia może spowodować odkształcenie osłon i drzwi, jak również uszkodzenie mocowania tych osłon. Przez uszkodzone osłony może nastąpić wypływ gorących i zjonizowanych gazów, stwarzając poważne zagrożenie dla osób oraz statku. Dlatego też rozdzielnice okrętowe powinny być bezpieczne i maksymalnie ograniczać skutki zwarc łukowych. Powinny charakteryzować się odpowiednią wytrzymałością mechaniczną, a osłony i drzwi oraz ich mocowania nie powinny ulec uszkodzeniu. Sztywność i wytrzymałość mechaniczna drzwi i osłon gwarantują bezpieczeństwo osób znajdujących się w pobliżu rozdzielnic, uniemożliwiając wypływ gorących i zjonizowanych gazów w kierunku tych osób. W tym celu rozdzielnice powinny być wyposażone w reduktory ciśnienia w postaci szczelin lub kanałów wypływowych,

gwarantujących wypływ gazów w kierunku bezpiecznym [7, 9].

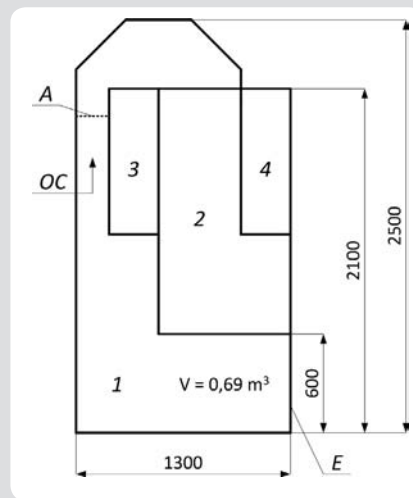
Ciśnienie i temperatura gazów podczas zwarcia łukowego wewnątrz rozdzielnic zależą od wielu czynników, takich jak: objętość przedziału bez wyposażenia, geometria szyn, moc łuku i pole przekroju poprzecznego kanału wypływowego [8].

Przy mocach zwarc łukowych w granicach 8–10 MW typowe konstrukcje rozdzielnic i pola przekrojów poprzecznych kanałów wypływowych powodują, że maksymalne nadciśnienia w rozdzielnicach nie przekraczają 20 kPa [3]. Wówczas mogą być stosowane osłony lub drzwi bez wzmocnień [8]. Przy większych mocach oraz ciśnieniach drzwi i osłony powinny być dodatkowo wzmocnione [4].

W osłoniętych rozdzielnicach średnionapięciowych, w zależności od szerokości i wysokości pól, wymiary drzwi lub osłon zawierają się w granicach od 0,6 x 0,9 m do 0,9 x 1,3 m i grubości blachy 3 mm.

W artykule obliczono ciśnienie oraz temperaturę gazów wewnątrz przedziału kablowego rozdzielnic średniego napięcia podczas zwarcia łukowego przy spodziewanym prądzie zwarciovym $I_k = 7,7$ kA i mocy łuku 8,52 MW na statku kontenerowcu [10].

Następnie przedstawiono analizę wytrzymałości mechanicznej przedniej osłony tego przedziału. Analizę ograniczono do obliczenia maksymalnego ugięcia powierzchni środkowej osłony, a następnie do obliczenia naprężeń i porównania ich z naprężeniami dopuszczalnymi. Na rys. 1 przedstawiono przekrój pola przykładowej okrętowej rozdzielnic średniego napięcia. Biorąc pod uwagę wymiary poszczególnych przedziałów oraz szerokość pola rozdzielnic równą 700 mm, wymiary osłony przedziału kablowego wynoszą 600 x 700 mm, a grubość blachy – 3 mm.



Rys. 1. Przekrój poprzeczny dwuczłonowego pola analizowanej rozdzielnic średniego napięcia: 1 – przedział kablowy, 2 – przedział wyłącznikowy, 3 – przedział szyn zbiorczych, 4 – przedział aparatury sterowniczej; OC – kanał wypływowy, E – osłona przedziału kablowego, A – pole przekroju poprzecznego kanału wypływowego; szerokość pola 700 mm

Analiza ciśnienia i temperatury gazów wewnątrz przedziału kablowego podczas zwarcia łukowego

Zgodnie z wymaganiami norm i przepisów morskich instytucji klasyfikacyjnych, w celu ograniczenia skutków zwarc łukowych i zapewnienia wytrzymałości mechanicznej drzwi i osłon, rozdzielnice okrętowe powinny być wyposażone w reduktory ciśnienia [7]. Niezależnie od tego należy stosować szybkie wyłączanie zwarcia, inicjowane przez czujniki reagujące na promieniowanie łuku, ciśnienie lub temperaturę gazu. Czas wyłączenia nie powinien przekraczać 0,1 s.

Ciśnienie oraz temperaturę gazów obliczono na podstawie układu równań [8]:

$$\frac{dp}{dt} = \frac{R_i}{cV} \left[\frac{k_p P_L + (0,094T^2 + 682T_0) C_2}{0,188T - 0,094T_0 + 682} \right]$$

$$\frac{dT}{dt} = \frac{R_i T}{cVp} \left[\frac{k_p P_L - (0,094T + 682)(T - T_0) C_2}{0,188T - 0,094T_0 + 682} \right]$$

gdzie:

$$C_2 = -\alpha A p \sqrt{\frac{2\kappa}{R_i T (\kappa - 1)}} \sqrt{\left(\frac{p_0}{p}\right)^{\frac{2}{\kappa}} - \left(\frac{p_0}{p}\right)^{\frac{\kappa+1}{\kappa}}}$$

oraz:

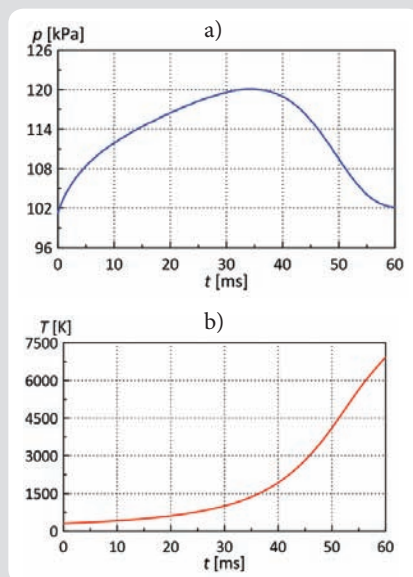
p – ciśnienie, T – temperatura, P_L – moc łuku, V – objętość przedziału, R_i – indywidualna stała gazowa, A – pole przekroju poprzecznego kanału wypływowego, κ – stała, k_p , c , α – współczynniki przy warunkach początkowych: $p_0 = 101325$ Pa oraz $T_0 = 300$ K.

Układ równań (1) przedstawia model termodynamiczny procesów towarzyszących zwarciom łukowym wewnątrz rozdzielnic z izolacją powietrzną. Obliczona wg równań (1) temperatura jest średnią temperaturą w obszarze objętym zwarciem łukowym, a ściślej w obszarze definiowanym przez iloczyn objętości V i współczynnika c . Metoda ta jest metodą uśrednioną, nieuwzględniającą rozkładów przestrzenno-czasowych temperatury i ciśnienia w całej objętości analizowanego przedziału rozdzielnic.

Wartości współczynników k_p , c i α wyznaczono eksperymentalnie.

Do obliczeń przyjęto następujące wartości:

- moc łuku $P_L = 8,52$ MW [2, 5]
- współczynnik $k_p = 0,49$
- objętość przedziału kablowego $V = 0,69$ m³
- współczynnik objętości $c = 0,8$
- współczynnik $\alpha = 0,76$
- pole przekroju poprzecznego kanału wypływowego $A = 0,15$ m².



Rys. 2. Obliczony wg (1) przebieg ciśnienia (a) oraz temperatury (b)

Wyniki obliczeń ciśnienia i temperatury przedstawiono na rys. 2.

Obliczona maksymalna wartość ciśnienia wynosi $p_{max} = 120,1$ kPa, a temperatury – $T_{max} = 6927$ K. Stąd maksymalne nadciśnienie $\Delta p_{max} = p_{max} - p_0 = 18,8$ kPa, dla $p_0 = 101,3$ kPa.

Analiza wytrzymałości mechanicznej osłony

W większości przypadków w rozdzielnicach osłoniętych, zwłaszcza przy niedużych mocach zwarciowych, drzwi lub osłony nie mają dodatkowych wzmocnień i charakteryzują się małą sztywnością, zależną jedynie od grubości blachy. W takich osłonach maksymalne ugięcia i naprężenia obliczane tradycyjną metodą małych ugięć okazują się znacznie większe od rzeczywistych maksymalnych ugięć i naprężeń wyznaczonych laboratoryjnie.

W celu umożliwienia obliczeń naprężeń i ugięć osłon bez wzmocnień proponuje się metodę opartą na wyznaczeniu naprężeń będących sumą naprężeń statycznych rozciągających (błonowych) i naprężeń statycznych zginających.

Do analizy naprężeń rozciągających zastosowano metodę energetyczną dla płyt prostokątnych swobodnie podpartych. Energia sprężysta błony (osłony), nagromadzona wskutek samego tylko rozciągania, wynosi [1]:

$$V_b^{(2)} = \frac{Eh}{2(1-\nu_p^2)} \int_{\frac{a}{2}}^{\frac{a}{2}} \int_{\frac{b}{2}}^{\frac{b}{2}} \left\{ \begin{aligned} & \left[\left(\frac{\partial u_x}{\partial x} \right)^2 + \frac{\partial u_x}{\partial x} \left(\frac{\partial w}{\partial x} \right)^2 + \left(\frac{\partial v_y}{\partial y} \right)^2 + \frac{\partial v_y}{\partial y} \left(\frac{\partial w}{\partial y} \right)^2 + \right. \\ & \left. + \frac{1}{4} \left[\left(\frac{\partial w}{\partial x} \right)^2 + \left(\frac{\partial w}{\partial y} \right)^2 \right]^2 + \right. \\ & \left. + 2\nu_p \left[\frac{\partial u_x}{\partial x} \frac{\partial v_y}{\partial y} + \frac{1}{2} \frac{\partial v_y}{\partial y} \left(\frac{\partial w}{\partial x} \right)^2 + \frac{1}{2} \frac{\partial u_x}{\partial x} \left(\frac{\partial w}{\partial y} \right)^2 \right] + \right. \\ & \left. + \frac{1-\nu_p}{2} \left[\left(\frac{\partial u_x}{\partial y} \right)^2 + 2 \frac{\partial u_x}{\partial y} \frac{\partial v_y}{\partial x} + \left(\frac{\partial v_y}{\partial x} \right)^2 + \right. \right. \\ & \left. \left. + 2 \frac{\partial u_x}{\partial y} \frac{\partial w}{\partial x} \frac{\partial w}{\partial y} + 2 \frac{\partial v_y}{\partial x} \frac{\partial w}{\partial x} \frac{\partial w}{\partial y} \right] \right\} dx dy \end{aligned} \right.$$

gdzie:

V_b – energia sprężysta osłony, E – moduł Younga, h – grubość blachy osłony, ν_p – liczba Poissona, w – ugięcie osłony, u_x – przemieszczenie powierzchni środkowej wzdłuż osi x , v_y – przemieszczenie powierzchni środkowej wzdłuż osi y , a – długość krótszego boku osłony, b – długość dłuższego boku osłony.

W metodzie energetycznej przyjmuje się wyrażenia na przemieszczenia u_x , v_y oraz w , które muszą spełniać odpowiednie warunki brzegowe. Dla przemieszczeń we wzorze (2) przyjęto funkcje rozwiązujące spełniające warunki brzegowe jak dla płyt prostokątnych swobodnie podpartych [1], analogicznie jak w metodzie rozdzielania zmiennych, tzn.:

$$w = w_0 \cos \frac{\pi x}{a} \cos \frac{\pi y}{b}$$

$$u_x = c_0 \sin \frac{2\pi x}{a} \cos \frac{\pi y}{b}$$

$$v_y = c_0 \sin \frac{2\pi y}{b} \cos \frac{\pi x}{a}$$

gdzie:

c_0 , w_0 – parametry.

Po wstawieniu do wzoru (2) funkcji rozwiązujących i wykonaniu całkowania otrzymuje się [8]:

$$V_b = \frac{Eh}{2(1-\nu_p^2)} (c_0^2 A - c_0 w_0^2 B + w_0^4 C) \quad (3)$$

gdzie:

$$A = \pi^2 \left(\frac{b}{a} + \frac{a}{b} \right) \left(\frac{9-\nu_p}{8} \right) + \frac{16}{9} (\nu_p + 1) \quad (4)$$

$$B = \frac{2\pi^2}{3} \left[\left(\frac{b}{a^2} + \frac{a}{b^2} \right) - \left(\frac{1}{a} + \frac{1}{b} \right) \left(\frac{3\nu_p - 1}{4} \right) \right] \quad (5)$$

$$C = \frac{\pi^4 ab}{256} \left(\frac{9}{a^4} + \frac{2}{a^2 b^2} + \frac{9}{b^4} \right) \quad (6)$$

Z zasady przemieszczeń wirtualnych otrzymuje się dwa równania [1]:

$$\frac{\partial V_b}{\partial c_0} = 0 \quad (7)$$

$$\frac{\partial V_b}{\partial w_0} = \int_{-\frac{a}{2}}^{\frac{a}{2}} \int_{-\frac{b}{2}}^{\frac{b}{2}} q_2 \cos \frac{\pi x}{a} \cos \frac{\pi y}{b} dx dy = q_2 \frac{4ab}{\pi^2} \quad (8)$$

gdzie:
 q_2 – obciążenie powodujące naprężenia rozciągające.

W wyniku dalszych przekształceń otrzymuje się:

$$\frac{\partial V_b}{\partial c_0} = \frac{Eh}{(1-\nu_p^2)} \left(c_0 A - \frac{w_0^2 B}{2} \right) = 0 \quad (9)$$

$$\frac{\partial V_b}{\partial w_0} = \frac{Eh}{(1-\nu_p^2)} (2w_0^3 C - c_0 w_0 B) = q_2 \frac{4ab}{\pi^2} \quad (10)$$

Na podstawie teorii małych ugięć maksymalne ugięcie osłony wynosi [1]:

$$w_m = \alpha_g \frac{q_1 a^4}{D} \quad (11)$$

gdzie:
 $\alpha_g = f\left(\frac{b}{a}\right)$, odczytywane z tablic [1],
 q_1 – obciążenie statyczne powodujące naprężenia gnące w oparciu o teorię małych ugięć,
 D – sztywność osłony wyrażona równaniem:

$$D = \frac{Eh^3}{12(1-\nu_p^2)}$$

Wyznaczając z równania (9) parametr c_0 i podstawiając go do (10), obciążenie statyczne q_2 powodujące naprężenia rozciągające wynosi:

$$q_2 = \frac{\pi^2 Eh}{4ab(1-\nu_p^2)} \left(2C - \frac{B^2}{2A} \right) w_0^3$$

Zakładając, że parametr w_0 jest równy maksymalnemu ugięciu osłony w_m z równania (11), otrzymuje się:

$$q_1 = \frac{D}{\alpha_g a^4} w_m \quad (13)$$

Obciążenie sumaryczne q_{sum} jest równoważne nadciśnieniu maksymalnemu Δp_{max} rozłożonemu równomiernie na powierzchni osłony i powstającemu podczas zwarcia łukowego w rozdzielnicach [8]:

$$q_{sum} = q_1 + q_2 = \Delta p_{max} = \frac{D}{\alpha_g a^4} w_m + \frac{\pi^2 Eh}{4ab(1-\nu_p^2)} \left(2C - \frac{B^2}{2A} \right) w_m^3 \quad (14)$$

W wyniku rozwiązania równania (14) otrzymuje się maksymalne ugięcie osłony w_m . W dalszej kolejności należy przeanalizować statyczne naprężenia rozciągające i gnące, występujące w osłonie pod wpływem nadciśnienia Δp_{max} .
Wydłużenia względne (na skutek rozciągania) wynoszą odpowiednio:

$$\varepsilon_x = \frac{2c_0 \pi}{a} = \frac{\pi B}{a A} w_m^2 \quad (15)$$

$$\varepsilon_y = \frac{2c_0 \pi}{b} = \frac{\pi B}{b A} w_m^2 \quad (16)$$

Składowe naprężeń rozciągających wynoszą:

$$\sigma_{xr} = \frac{E(\varepsilon_x + \nu_p \varepsilon_y)}{1-\nu_p^2} = \frac{\pi E B w_m^2}{A(1-\nu_p^2)} \left(\frac{1}{a} + \nu_p \frac{1}{b} \right) \quad (17)$$

$$\sigma_{yr} = \frac{E(\varepsilon_y + \nu_p \varepsilon_x)}{1-\nu_p^2} = \frac{\pi E B w_m^2}{A(1-\nu_p^2)} \left(\frac{1}{b} + \nu_p \frac{1}{a} \right) \quad (18)$$

W powyższej analizie przyjęto, że krótszy bok osłony jest równoległy do osi x układu kartezjańskiego. Naprężenia zginające w kierunku równoległym do osi x, na podstawie analizy małych ugięć, wynoszą:

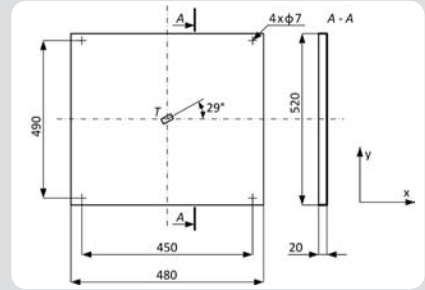
$$\sigma_{xg} = \frac{3q_1 a^2 b^2}{4h^2 (a^2 + 1,61b^2)} \quad (19)$$

zaś w kierunku równoległym do osi y:

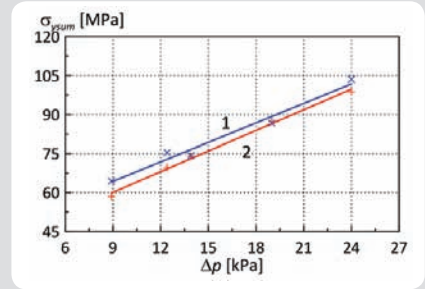
$$\sigma_{yg} = \frac{q_1 a^2 (0,225b^3 + 0,382b^2 a - 0,32a^3)}{h^2 b^3} \quad (20)$$

gdzie:

$$q_2 = \frac{7,033Eh^3 (b^3 + 2,21a^3)}{a^4 b^3} w_m$$



Rys. 3. Osłona bez wzmocnień: T – tensometr, grubość blachy $h = 2$ mm [8]



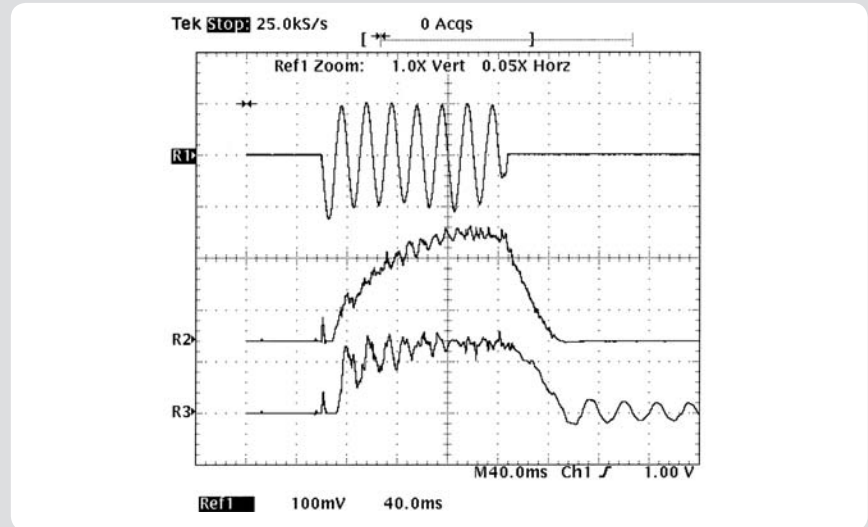
Rys. 4. Zależność naprężeń maksymalnych σ_{sum} od nadciśnienia Δp_{max} w osłonie o wymiarach 0,48 x 0,52 m, grubość blachy $h = 2$ mm; 1 – wyniki obliczeń, 2 – wyniki pomiarów [8]

Sumaryczne statyczne naprężenia maksymalne wynoszą odpowiednio [8]:

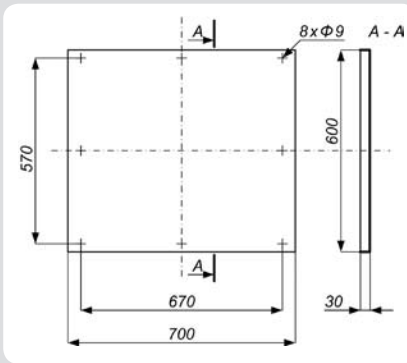
$$\sigma_{xsum} = \sigma_{xr} + \sigma_{xg} \quad (22)$$

$$\sigma_{ysum} = \sigma_{yr} + \sigma_{yg} \quad (23)$$

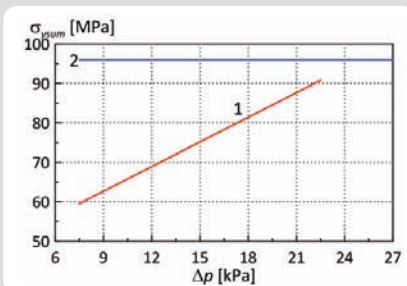
W przypadku osłony o kształcie prostokątnym, w której boki: $b > a$ naprężenia $\sigma_{ysum} > \sigma_{xsum}$.
Na rys. 3 przedstawiono osłonę o wymiarach 0,48 x 0,52 m, na której przeprowadzono badania laboratoryjne, a na rys. 4 wyniki



Rys. 5. Oscylogram z badań osłony bez wzmocnień: R1 – prąd zwarcia (4 kA/dz.), R2 – nadciśnienie wewnątrz modelu rozdzielnic (9 kPa/dz.), maksymalne nadciśnienie $\Delta p_{max} = 19,0$ kPa (wartość uśredniona), R3 – napięcie w środku osłony (64 MPa/dz.), maksymalne naprężenie $\sigma_{sum} = 87,0$ MPa (wartość uśredniona); prąd łuku $I_L = 2,9$ kA (wartość skuteczna), średnia moc łuku $P_L = 2,7$ MW, osłona o wymiarach 0,48 x 0,52 m, grubość blachy 2 mm [8]



Rys. 6. Wymiary osłony przedziału kablowego



Rys. 7. Zależność naprężeń σ_{sum} od nadciśnienia Δp_{max} dla osłony bez wzmocnień o wymiarach 600 mm x 700 mm i grubości blachy 3 mm:
1 – zależność naprężeń wg równania (23), 2 – naprężenia dopuszczalne dla stali St1

obliczeń oraz wyniki pomiarów naprężeń maksymalnych. Na rys. 5 przedstawiono oscylogram z badań.

Wymiary osłony przedziału kablowego rozdzielnic okrętowych (rys. 1) przedstawiono na rys. 6, a wyniki obliczeń maksymalnych naprężeń σ_{sum} w analizowanej osłonie w zależności od nadciśnienia Δp_{max} przedstawiono na rys. 7.

Biorąc pod uwagę wymiary analizowanej osłony, przy nadciśnieniu $\Delta p_{max} = 18,8$ kPa obliczone naprężenia maksymalne wynoszą: $\sigma_{sum} = 85,0$ MPa i nie przekraczają naprężeń dopuszczalnych dla stali St1 $\sigma_{dop} = 96$ MPa. Z dalszej analizy wynika, że maksymalne naprężenia w osłonie równe naprężeniom dopuszczalnym $\sigma_{sum} = \sigma_{dop}$ wystąpią przy nadciśnieniu $\Delta p_{max} \approx 24$ kPa. Przy tej samej mocy łuku i objętości przedziału ciśnienie takie wystąpi przy zmniejszonym polu przekroju poprzecznego kanału wylotowego $A1 = 0,13$ m². Zmniejszenie tego przekroju umożliwia zmniejszenie gabarytów rozdzielnic. Jest to szczególnie istotne w warunkach okrętowych.

Podsumowanie

1. Przy niewielkich mocach zwarć łukowych (do 10 MW) w typowych okrętowych rozdzielnicach z izolacją powietrzną nadciśnienie gazów wewnątrz przedziałów nie przekracza wartości 24 kPa. Wtedy też zagwarantowana jest wytrzymałość mechaniczna niewzmocnionych dodatkowo drzwi i osłon rozdzielnic, a więc także bezpieczeństwo eksploatacji rozdzielnic.
2. Zaproponowana metoda obliczania maksymalnych ugięć i naprężeń osłon bez dodatkowych wzmocnień umożliwia wystarczająco dokładnie analizować problemy wytrzymałości mechanicznej rozdzielnic na podstawie obliczonego ciśnienia maksymalnego.
3. Wykorzystując wyniki obliczeń prądów zwarciowych i mocy łuku, przedstawione metody analizy ciśnienia oraz naprężeń mechanicznych w osłonach umożliwiają również projektowanie układów redukcji ciśnienia w rozdzielnicach okrętowych.

Bibliografia

1. Timoshenko S., Woinowski-Krieger S., Teoria płyt i powłok, Warszawa 1962.
2. Partyka R., The measurements and analysis of energy balance of 3 phase short-circuit disturbance arc in metal clad high voltage switchboards, 37. Int. Wiss. Kolloquium. Ilmenau, Thüringen 1992.
3. Partyka R., Pressure rise in metal enclosed high voltage switchgear during disturbance short-circuit arc., 2nd Int. Conference on „Electrical Contacts, Arcs, Apparatus and their Applications”, Xi'an, China, 25–29 May 1993.
4. Partyka R., Three phase travelling disturbance arc within leak-proof high voltage switchboards, 6th Int. Symposium on „Short – Circuit Currents in Power Systems”, Liège (Belgium), 6–8 September 1994.
5. IEC 61363-1:1998 Electrical installation of ships and mobile and fixe offshore units – Part 1: Procedures for calculating short-circuit currents in three-phase a.c.
6. Międzynarodowa konwencja o bezpieczeństwie życia na morzu, SOLAS 1974: tekst ujednolicony, Polski Rejestr Statków, Gdańsk 2002.
7. Polski Rejestr Statków (PRS) – Przepisy klasyfikacji i budowy statków morskich, część VII, Urządzenia elektryczne i automatyzacja, Gdańsk 2005.
8. Partyka R., Badanie skutków zwarć łukowych w rozdzielnicach osłoniętych, Monografie 70, Wydawnictwo Politechniki Gdańskiej, Gdańsk 2006.
9. EN 62271-200:2012 High-voltage switchgear and controlgear – Part 200: AC metal-enclosed switchgear and controlgear for rated voltages above 1 kV and up to and including 52 kV.
10. Partyka R., Kowalak D., Skutki zwarć łukowych w średnionapięciowych rozdzielnicach okrętowych z izolacją powietrzną, *Przegląd Elektrotechniczny* 2013, nr 8.

Roman Partyka

dr hab. inż.
Politechnika Gdańska
e-mail: roman.partyka@pg.gda.pl

Absolwent Politechniki Gdańskiej (1972). Stopień doktora nauk technicznych (1987) i stopień doktora habilitowanego w dziedzinie elektrotechniki zdobył na swojej macierzystej uczelni (2007). Jest adiunktem w Katedrze Mechatroniki i Inżynierii Wysokich Napięć Politechniki Gdańskiej. Jego badania naukowe są związane z bezpieczeństwem eksploatacji urządzeń elektroenergetycznych, a zwłaszcza skutkami łuku zwarciowego w rozdzielnicach średniego napięcia. Ostatnie badania dotyczą analizy wytrzymałości mechanicznej drzwi i osłon rozdzielnic wskutek wzrostu ciśnienia gazów podczas zwarć łukowych. Tematyka badań obejmuje również możliwości ograniczania skutków zwarć łukowych, w tym dynamikę przepływu gazów przez reduktory ciśnienia w rozdzielnicach objętych zwarzami łukowymi.

Daniel Kowalak

dr inż.
Politechnika Gdańska
e-mail: daniel.kowalak@pg.gda.pl

Ukończył studia na Wydziale Elektrotechniki i Automatyki Politechniki Gdańskiej (2006). Obecnie jest zatrudniony na stanowisku adiunkta na macierzystej uczelni. Zajmuje się głównie problemami zwarć łukowych w niskonapięciowych rozdzielnicach osłoniętych. Ostatnie jego badania są związane z oddziaływaniem łuku zwarciowego na konstrukcję rozdzielnic, a w szczególności dotyczą oddziaływań elektrodynamicznych występujących w układach szynowych rozdzielnic podczas zwarć łukowych.