

Laboratory Load Model Based on 150 kVA Power Frequency Converter and Simulink Real-Time – Concept, Implementation, Experiments

Authors

Robert Małkowski
Bartosz Kędra

Keywords

Power Converter, Simulink Real-Time, Matlab, Load, Tap controller

Abstract

First section of the paper provides technical specification of laboratory load model basing on 150 kVA power frequency converter and Simulink Real-Time platform. Assumptions, as well as control algorithm structure is presented. Theoretical considerations based on criteria which load types may be simulated using discussed laboratory setup, are described. As described model contains transformer with thyristor-controlled tap changer, wider scope of device capabilities is presented. Paper lists and describes tunable parameters, both: tunable during device operation and changed only before starting the experiment.

Implementation details are given in second section of paper. Hardware structure is presented and described. Information about used communication interface, data maintenance and storage solution, as well as used Simulink real-time features are presented. List and description of all measurements is provided. Potential of laboratory setup modifications is evaluated.

Third section describes performed laboratory tests. Different load configurations are described and experimental results are presented. This includes simulation of under frequency load shedding, frequency and voltage dependent characteristics of groups of load units, time characteristics of group of different load units in a chosen area and arbitrary active and reactive power regulation basing on defined schedule. Different operation modes of control algorithm are described: apparent power control, active and reactive power control, active and reactive current RMS value control.

DOI: 10.12736/issn.2300-3022.2016309

1. Concept

This paper presents LINTE² laboratory load model based on power frequency converter and transformer with power electronics tap changer. Concept diagram of the model is shown in Fig. 1.

The purpose of introducing described laboratory load model in LINTE² isolated laboratory grid is to provide flexible device with wide area of operation. Laboratory load model is designed to be used for performing various tests of other compensation and generation devices installed in LINTE² laboratory. Among others, it provides the following functions:

- operation in active power consumption mode with reverse power injection into external stiff grid
- operation in reactive power consumption/generation mode with unity power factor value seen from outside grid (increasing or decreasing lab busbar voltage)
- emulation of underfrequency load shedding
- emulation of time, frequency and voltage-dependent load types.

As a static device based on power frequency converter it is capable of reaching high di/dt , dP/dt values, depending on present power converter protection settings. Moreover, it can operate in active power generation mode and simulate many types of generating units.

One of the assumptions in designing the model was ensuring open loop supervisory control. This approach allows changing control algorithm in functional unit controller, where all control variables are calculated. Control functions assignment is shown in Fig. 2.

For purposes of Rapid Control Prototyping a dedicated environment was used – Simulink Real-Time. Therefore load model Functional Unit Controller shown in Fig. 1 is based on a PC computer with I/O cards and Simulink Real-Time software. Simulink Real-Time was used to create real-time applications directly from Simulink models. In the next step applications were loaded on a target computer connected to physical devices what

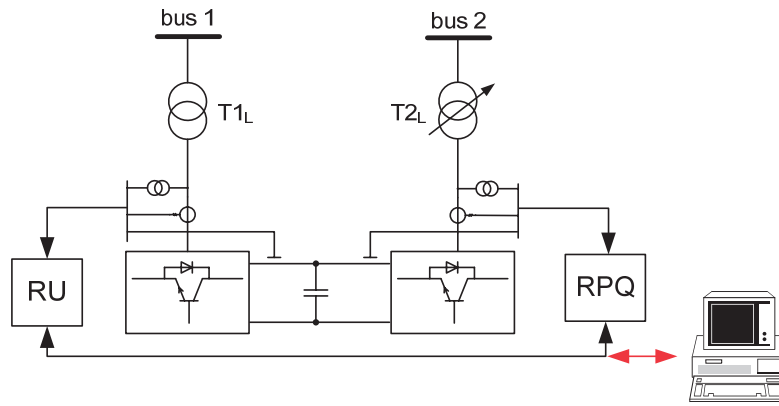


Fig. 1. Concept diagram of laboratory load model

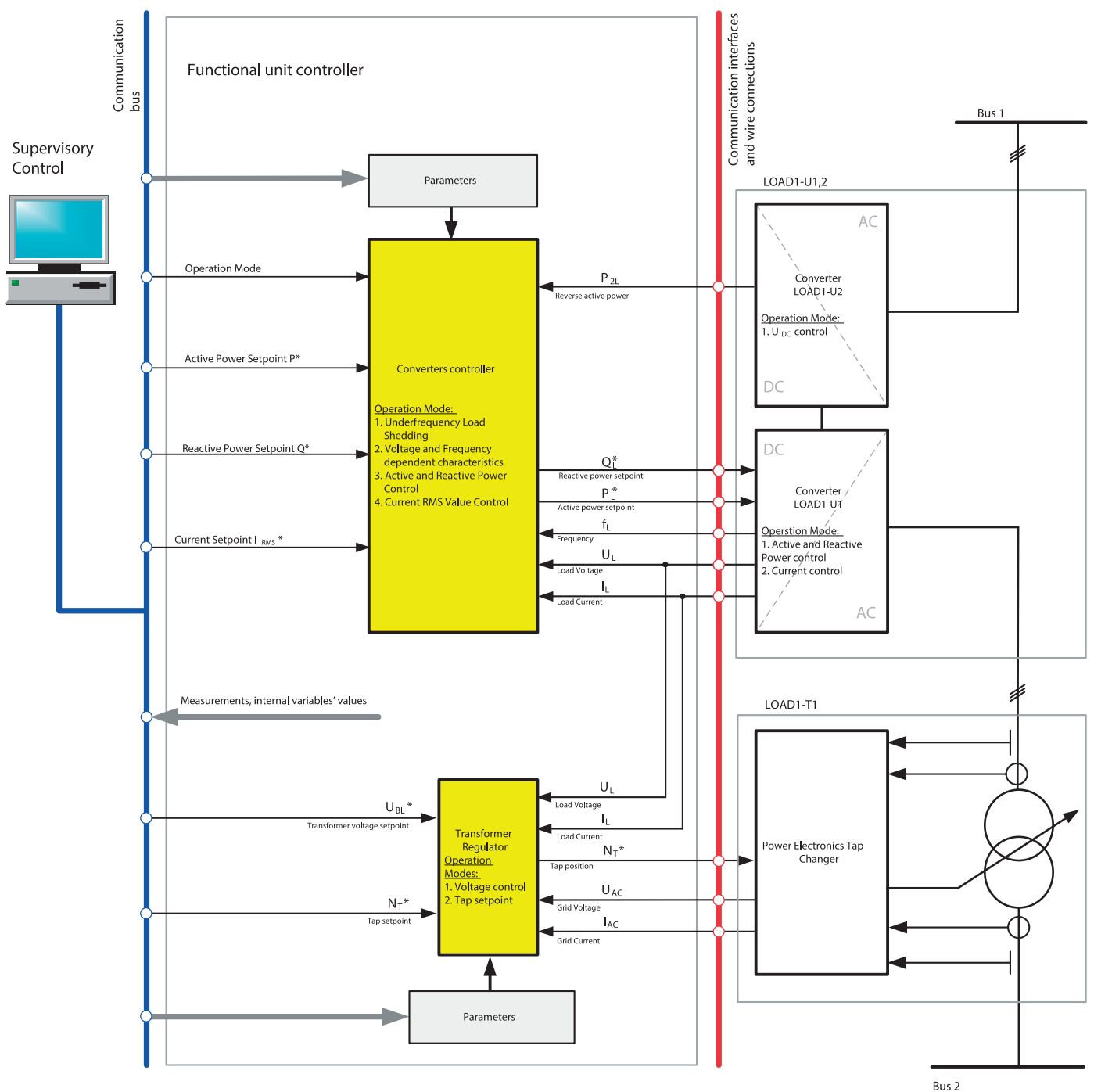


Fig. 2. Control functions assignment

provided opportunity to perform Hardware in the Loop (HIL) tests, as well as mentioned Rapid Control Prototyping process. With Simulink Real-Time, Simulink models were extended with I/O cards driver blocks, what made possible automatic generation of real-time applications and performing interactive or automated runs on a dedicated target computer equipped with a real-time kernel, multicore CPU and I/O cards.

2. Implementation

Laboratory load model described in this paper consists of: 150 kVA power frequency converter based on IGBT switches, 150 kVA 400/400 V/V transformer equipped with thyristor-controlled tap changer and functional unit controller based on PC with I/O cards and Simulink Real-Time platform. Electrical parameters of devices are listed in Tab. 1.

Power converter	Nominal power Rated voltage Efficiency	±150 kVA 3 × 400 V 80%
Transformer	Nominal power Operation mode Rated voltage Tap changer range	100 kVA S1 15min 400 V/ 400 V ±12 °/±15%
Functional unit controller	Supply voltage No of Analog input channels No of Analog output channels No of binary I/O channels	230 V 32 (±10 V) 8 (±10 V) 64

Tab. 1. Electrical parameters of load model devices

Load functional unit controller includes two RT-DAC4/PCI multi-functional analog/digital I/O boards. The boards use PCI bus

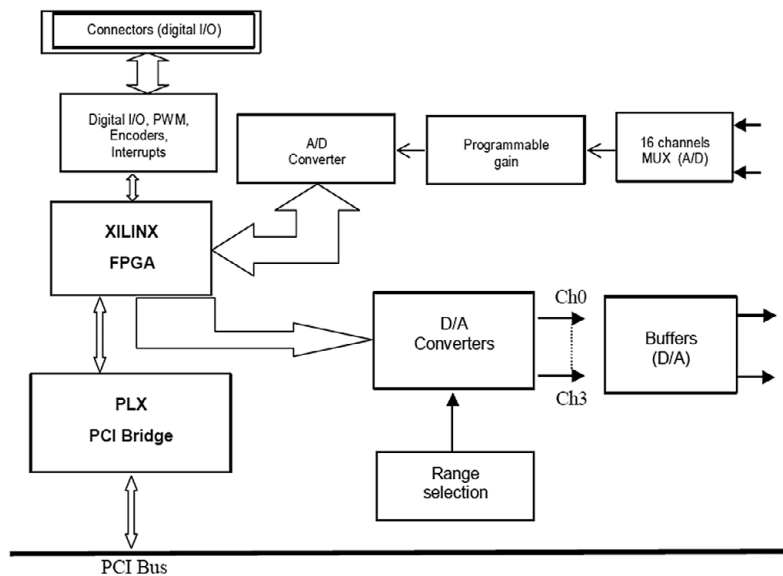


Fig. 3. Block diagram of the RT-DAC4/PCI board

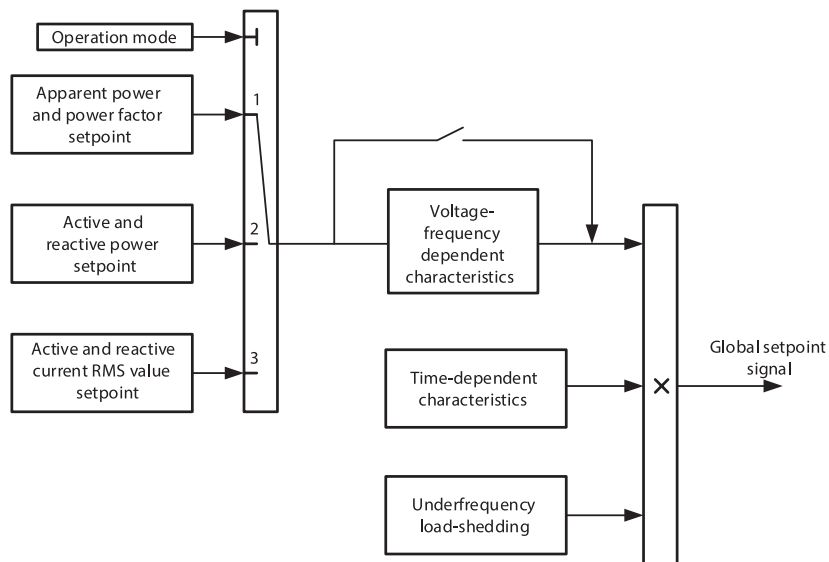


Fig. 4. Block diagram of load model operation modes and functionalities

and are dedicated to real-time control and data acquisition. Each board supports 16 analog input channels ($\pm 10\text{ V}$), 4 analog output channels ($\pm 10\text{ V}$) and 32 digital input/output channels. Load model internal parameters and variables setpoints can be changed and adjusted using Syndis-RV SCADA system or through Control Panel interface included in Simulink Real-Time package. Block diagram of RT-DAC4/PCI board is shown in Fig. 3.

3. Functionalities

Load model provides various options of defining load value. There are three main load value setpoint variants: apparent power/power factor setpoint, active and reactive power setpoint and active and reactive current RMS value setpoint. Additionally, for each of these load power setpoint variants three functionalities may be switched on:

- Underfrequency load shedding automatics
- Voltage dependent characteristics
- Frequency dependent characteristics
- Time dependent characteristics.

Block diagram of load model operation modes and functionalities is shown in Fig. 4.

Additionally load model provides:

- independent active and reactive power setpoint change with set ramp parameters $\Delta P / \Delta t$, $\Delta Q / \Delta t$
- independent active and reactive power step and smooth change modelling disturbance ΔP and/or ΔQ

- possibility to shed higher power than value which caused the disturbance.

Voltage and frequency dependent characteristics

Voltage and frequency dependent characteristics are implemented according to the following expression (1) and (2):

$$P(U, f) = P_{ref} \times (p_1 \times u^2 + p_2 \times u + p_3) \times (1 + K_{pf} \times \Delta f) \quad (1)$$

$$Q(U, f) = Q_{ref} \times (q_1 \times u^2 + q_2 \times u + q_3) \times (1 + K_{qf} \times \Delta f) \quad (2)$$

where:

P_{ref} – setting of active power value; Q_{ref} – setting of reactive power value; p_1, p_2, p_3 – active power static characteristics coefficients; q_1, q_2, q_3 – reactive power static characteristics coefficients; K_{pf}, K_{qf} – frequency dependent characteristics coefficients; Δf – frequency deviation; u – relative voltage value.

Underfrequency load shedding automatics

Implemented underfrequency load shedding automatics algorithm is relatively a simple one. Its operation criteria is decrease of frequency below certain level, what results disconnection of certain group of load units. The algorithm is shown in Fig. 5.

Underfrequency load shedding automatics is designed to provide 7 steps with 7 frequency levels and relative load power values. Predefined settings are listed in Tab. 1. Load model algorithm provides shedding of 0–100% of load power.

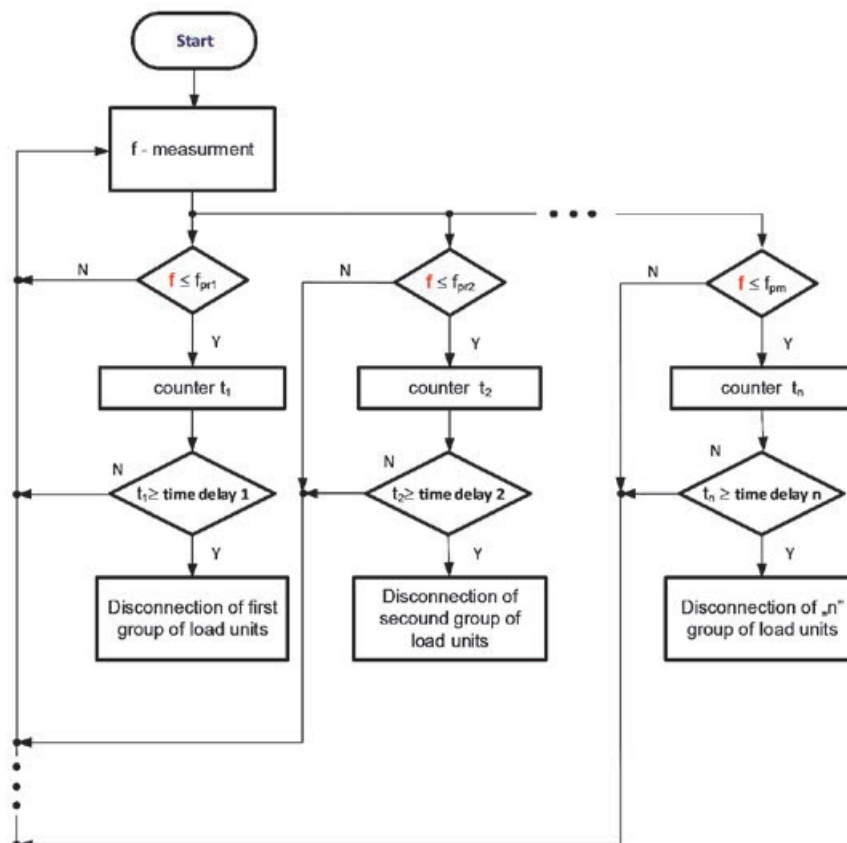


Fig. 5. Underfrequency load shedding automatics algorithm implemented in load model

step	I_1	I_2	II_1	II_2	III	IV	V
f [Hz]	49	49	48.7	48.7	48.5	48.3	48.1
time delay [s]	0.2	0.5	0.2	0.5	0.5	0.5	0.5
step power [%]	21	8	22	7	20	11	11

Tab. 2. Introduced underfrequency load shedding automatics settings

Time dependent characteristics

Independently of setting the power setpoint, active and reactive power (or current RMS values) can be defined as time dependent characteristics. This allows defining arbitrary time curves independently for both signals. As the time limit of these data is not defined – such time curves may be used for purposes of performing long run test (several hours or days).

Transformer with thyristor-controlled tap changer

Laboratory load model transformer is designed in Y-Y connection with 25 taps in each phase of the secondary side what allows of voltage regulation in range 340–460 V with 5 V step. As switches, anti-parallelly connected thyristors were used, with individual

gate driver of each thyristor. Transformer is equipped with driver executing the following functions:

- conversion of received voltage and current measurement signals
- synchronization with output current signal
- communication with functional unit controller
- communication with gate drivers
- optical fibre communication control
- execution of the protections: internal short-circuit protection, overcurrent protection, electronics protections.

Concept diagram of on-load thyristor controlled tap changer is shown in Fig. 6.

Control algorithm parameters:

- Algorithm full calculation cycle time 10 μ s
- Data transmission time <10 μ s
- Full algorithm time <20 μ s
- Thyristor firing error < $2\pi \cdot 10^{-3}$ rad
- Tap-Changer Switching time between maximum and minimum tap 20 ms
- Normal operation maximum voltage THD: 10%
- Normal operation maximum current THD: 10%.

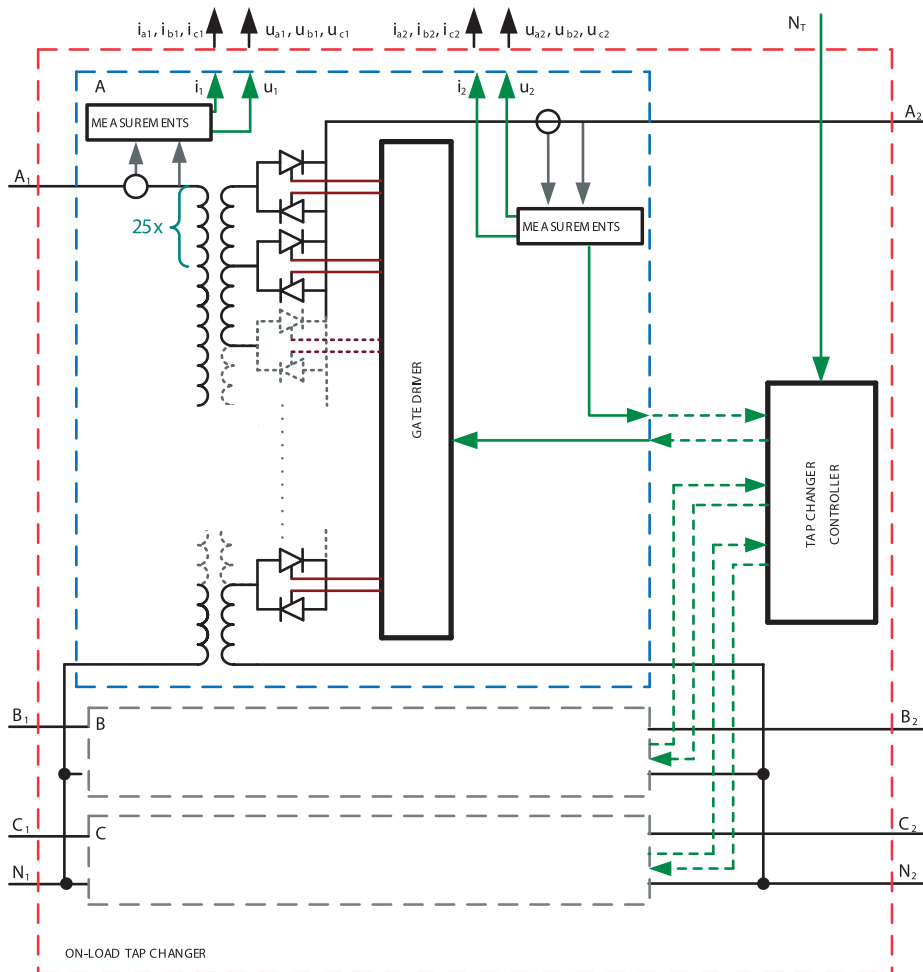


Fig. 6. Concept diagram of on-load tap changer

Transformer tap changer controller algorithm was equipped with two control modes:

- voltage control mode maintaining voltage value according with set reference value and chosen transformer side
- reactive power control mode maintaining reactive power value according with set reference value and chosen transformer side.

Additionally, transformer tap changer controller algorithm was equipped with option of electromechanical tap changer emulation. Therefore, algorithm contains additional time constant, which is used to delay each tap switching.

4. Exemplary of experimental results

Load power variation

Designed laboratory load model offers wide spectra of defining and obtaining power time dependent characteristics. Examples of obtained various load power characteristics are shown in Fig. 7. Basing on this example and load model features the following advantages may be listed:

- High derivative of power Fig. 7a–b
- Independent active and reactive power characteristics Fig. 7c
- Unlimited duration of experiments (minutes, hours) Fig. 7d
- Unlimited capabilities in shaping active and reactive power time characteristics.

Transformer voltage controller test

Functional unit controller contains transformer voltage control algorithm. As the transformer is equipped with thyristor-controlled tap changer – additional inertia was introduced to emulate electromechanical tap changer characteristics. For purposes of this test step change of load reactive power was performed, what resulted in step change of transformer voltage. The results of transformer voltage controller operation are shown in Fig. 8.

In Fig. 9 experimental results are presented to give an example showing the speed of power electronics tap changer (EETC).

As it can be noticed in Fig. 9, application of power electronics tap changer results in obtaining new range of tap changer operation

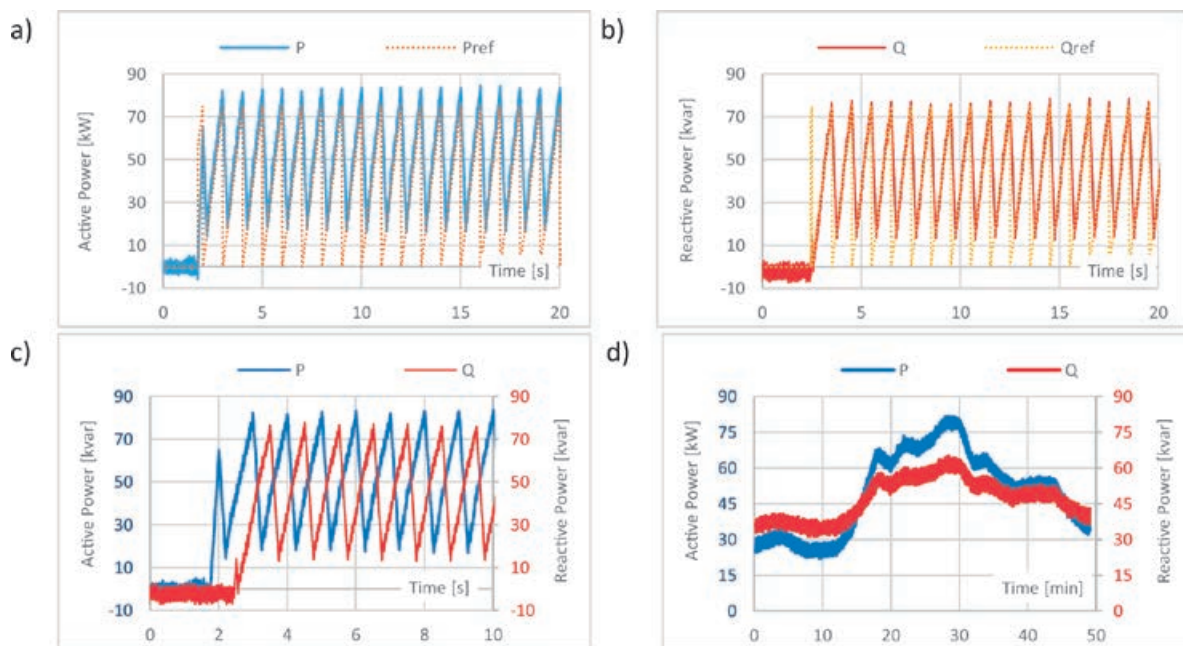


Fig. 7. Obtained time characteristics: a) Active power, b) Reactive power, c) Active and reactive power with independently defined time characteristics d) An example of the daily load variation modeling

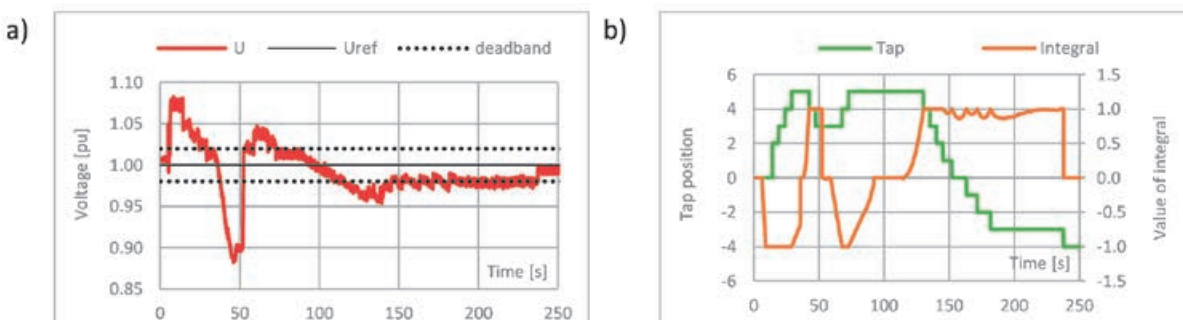


Fig. 8. Transformer controller operation in electro-mechanical tap changer emulation mode: a) Voltage variation, b) Tap position and value of integral

times what results in new voltage control capabilities and therefore introduces a research field in the area of voltage control.

Underfrequency Load Shedding – simulations

Underfrequency load shedding functionality performance evaluation was performed basing on artificially introduced frequency measurement value variation. At the moment when load tests were performed islanded grid operation was not possible, therefore stiff grid resulted in constant frequency value. Therefore, to emulate frequency variation caused by active power balance disturbance and UFLS operation the following equation was used (3) [2].

$$\frac{d\Delta f^*}{dt} = \frac{1}{T_{Jg\Sigma} \cdot \left[1 + \beta \cdot (1 + \Delta P^*) \cdot \left(1 - \sum_1^k P_{UFLS}^* \right) \right]} \cdot \left\{ 1 + (1 + \Delta P^*) \cdot (1 + k_{o\Sigma}^* \cdot \Delta f^*) \cdot \left(1 - \sum_1^k P_{UFLS}^* \right) \right\} \quad (3)$$

where:

$T_{Jg\Sigma}$ – weighted average inertia time constant of conventional generation units operating after the disturbance ($T_{Jg\Sigma} = 5 \div 10$ s);
 β – load inertia time constant to weighted average inertia time constant of conventional generation units operating before the disturbance ratio ($\beta = 0.3 \div 0.5$); ΔP^* – relative power deficit value,
 P_{UFLS}^* – relative UFLS step power.

Equation (1) was implemented in control algorithm, values of ΔP^* and P_{UFLS}^* were obtained with load model operating in stiff grid. Simulation results are shown in Fig. 9.

Experimental results presented in Fig. 10 confirm utility of presented laboratory load model in testing the effectiveness of underfrequency load shedding automatics algorithms. Rapid control prototyping feature of presented laboratory load model allows introducing unlimited modifications of control algorithm, automatic generation of real-time application and loading it into target computer in load functional unit controller. Thus, research

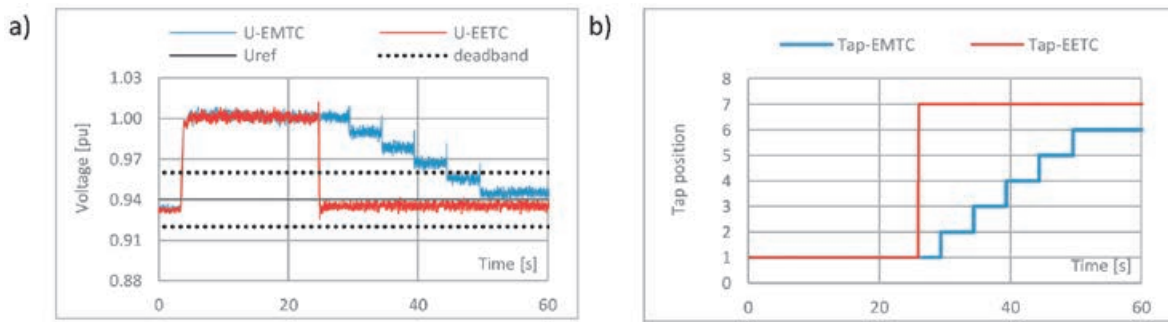


Fig. 9. Comparison of tap changer types speed of operation EMTC – modelled as electro-mechanical tap changer, EETC– modelled as power electronics tap changer: a) Voltage, b) Tap position.

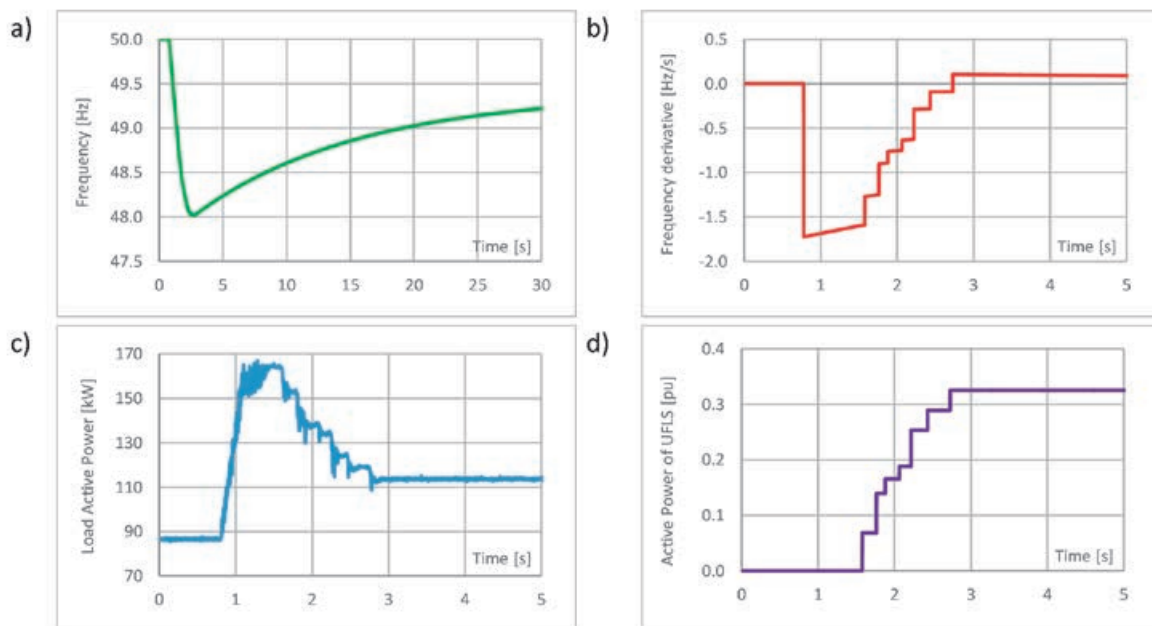


Fig. 10. Time chart: a) Frequency, b) Frequency derivative, c) Load Active Power, d) Active power of UFLS. Assumed $T_{Jg\Sigma} = 10$, $\Delta P^* = 0.5$, $k_{o\Sigma}^* = 1$, $\beta = 0.3$

experiments can be in any moment extended with additional tests after modification of control algorithm. Performing interactive or automated runs on a dedicated target computer can be started directly after generation of new version of real-time application with modified control algorithm.

5. Conclusions and remarks

Presented experimental results confirm correctness of assumed control concept. Open loop control of both power converter and transformer tap changer allow implementation of any chosen or designed control algorithm.

Application of power converter as controlled active and reactive power load device allows obtaining high variation, value and character change in active and reactive power time characteristics. What is more, transformer equipped with power electronics tap changer introduces wide spectra of possible tests with novel and innovative voltage and reactive power control algorithms.

Besides, presented model will be extensively used for purposes of testing LINTE² laboratory devices, as well as devices in the early production tests phase, as it allows obtaining specific conditions, required to simulate different grid disturbances or interferences for example voltage sags, voltage swells and voltage fluctuations.

REFERENCES

1. Dostawa instalacji badawczej laboratorium innowacyjnych technologii elektroenergetycznych i integracji odnawialnych źródeł energii LINTE² wraz z jej zaprojektowaniem, montażem i uruchomieniem (przetarg nieograniczony), załącznik z1 do specyfikacji istotnych warunków zamówienia, postępowanie nr ZP/124/014/D/13, Gdańsk 2013.
2. R. Małkowski, Nowe algorytmy działania automatyki samoczynnego częstotliwościowego odciążania (SCO) w systemie elektroenergetycznym, rozprawa doktorska, Gdańsk czerwiec 2003.
3. R. Małkowski, Badania symulacyjne weryfikujące poprawność doboru mocy odciążania dla automatyki samoczynnego częstotliwościowego odciążania, *Zeszyty Naukowe Politechniki Gdańskiej* 2000, seria Elektryka, nr 54.
4. Simulink 2014b user manual.
5. Dokumentacja techniczno-ruchowa transformatora z energoelektronicznym przełącznikiem zacze­pów, zaprojektowanego na potrzeby projektu LINTE².

Robert Małkowski

Gdańsk University of Technology
 e-mail: robert.malkowski@pg.gda.pl

He graduated from the Faculty of Electrical Engineering and Automation of Gdańsk University of Technology in 1999. Four years later he got his PhD. He works as an assistant professor in the Chair of Electrical Engineering of Gdańsk University of Technology His scientific interest focus on wind energy issues, critical electrical energy systems failures, as well as on levels of voltage and reactive power distribution in electric power systems.

Bartosz Kędra

Institute of Power Engineering Research Institute Gdańsk Division
 e-mail: b.kedra@ien.gda.pl

Graduated from University of Science and Technology in Krakow. Since 2006 employed in Institute of Power Engineering Research Institute Gdańsk Division in Automatics and System Analysis Department. Member of team participating in LINTE² project. Responsible for designing, implementation and commissioning of functional unit regulator for laboratory units LOAD1÷3, LOAD4 and FLYWHEEL. Interests: power quality, active power filters, power electronics.

This is a supporting translation of the original text published in this issue of "Acta Energetica" on pages 94–101. When referring to the article please refer to the original text.

PL

Laboratoryjny model odbioru oparty na przekształtniku częstotliwości o mocy 150 kVA i platformie Simulink Real-Time – koncepcja, realizacja, badania eksperymentalne

Autorzy

Robert Małkowski
Bartosz Kędra

Słowa kluczowe

przekształtnik mocy, Simulink Real-Time, Matlab, obciążenie, regulator zacze-
pów

Streszczenie

W artykule opisano koncepcję oraz sposób realizacji laboratoryjnego modelu odbioru o mocy 150 kVA. Odbiornik zaprojektowano w taki sposób, aby umożliwić emulację zmienności mocy dowolnego odbioru. Integralnym elementem modelu jest transformator z energoelektronicznym przełącznikiem zacze-
pów.

W pierwszej części artykułu przedstawiono założenia, strukturę przyjętego algorytmu sterowania, wymieniono i opisano podstawowe wielkości wejściowe i wyjściowe, a także wybrane wielkości parametryzujące. W drugiej części artykułu opisano strukturę sprzętową. Podano informacje o zastosowanym interfejsie komunikacyjnym, na temat sposobu zbierania i archiwizacji danych oraz wybranych funkcjonalności wykorzystywanego narzędzia, jakim jest Simulink Real-Time.

W części trzeciej zaprezentowano przykładowe wyniki prób eksperymentalnych potwierdzające słuszność przyjętej koncepcji sterowania. Zamieszczone przykłady pokazują m.in. możliwości kształtowania zmienności mocy odbioru, skuteczności działania energoelektronicznego przełącznika zacze-
pów, czy wreszcie efekt działania zaimplementowanego algorytmu automatyki samoczyn-
nego podczęstotliwościowego odciążenia.

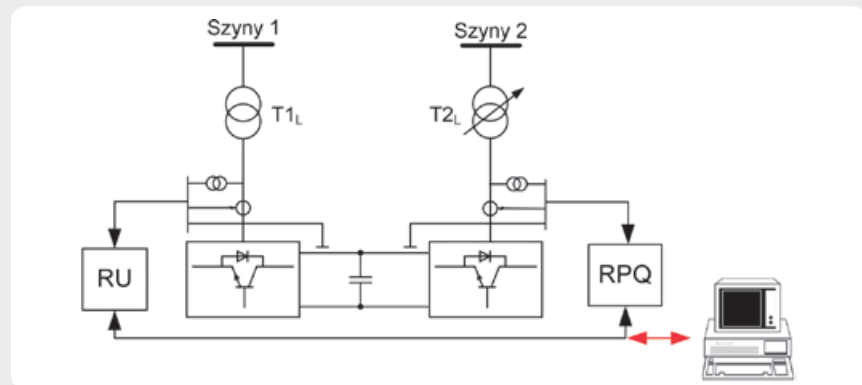
1. Koncepcja

W artykule przedstawiono laboratoryjny model odbioru wykonanego dla laboratorium LINTE². Głównymi elementami wykonawczymi opisywanego urządzenia są: przemiennik częstotliwości, transformator z energoelektronicznym przełącznikiem zacze-
pów oraz komputer sterujący. Schemat koncepcji modelu przedstawiono na rys. 1.

W celu umożliwienia odwzorowania zachowania typowych odbiorników czy też grup odbiorów pracujących w systemie elektroenergetycznym opracowany odbiór ma możliwość wyboru jednego lub kilku trybów pracy, w szczególności:

- praca z zadaną mocą czynną i/lub bierną
- praca z zadaną wartością składowych czynnej i biernej prądu
- praca w trybie poboru zadanej wartości mocy pozornej przy założonym współczynniku $\cos(\phi)$
- praca w trybie regulacji napięcia z wykorzystaniem energoelektronicznego przełącznika zacze-
pów
- odwzorowanie zadanego przebiegu zmienności mocy czynnej i biernej
- odwzorowanie zadanej charakterystyki podatności częstotliwościowej i/lub napięciowej
- odwzorowanie działania automatyki odciążającej typu SCO.

Budowa tytułowego odbiornika oparta jest na przemienniku częstotliwości, dzięki czemu urządzenie to jest zdolne do osiągnięcia wysokich wartości dI/dt , dS/dt . Co więcej, przepływ mocy jest dwukierunkowy, tym samym urządzenie może pracować nie tylko jako odbiór, ale emulować pracę różnego rodzaju jednostek wytwórczych. Jednym z założeń projektu modelu było zapewnienie sterowania nadrzędnego w pętli otwartej. Rozwiązanie to umożliwia zmianę algorytmu sterowania z poziomu



Rys. 1. Schemat koncepcji laboratoryjnego modelu odbioru

sterownika jednostki funkcjonalnej (SJF), który oblicza wszystkie zmienne sterowania. Przypisanie funkcji sterowania przedstawiono na rys. 2.

Na potrzeby szybkiego prototypowania sterowania wykorzystano dedykowane środowisko Simulink Real-Time. Oprogramowanie Simulink Real-Time zostało wykorzystane do tworzenia aplikacji czasu rzeczywistego bezpośrednio z modeli Simulink. Przyjęcie takiego rozwiązania umożliwiło łatwe przejście z symulacji komputerowych do testów na obiekcie rzeczywistym. Aby tego dokonać, wystarczy opracowany i przetestowany algorytm po przekonwertowaniu załadować do komputera docelowego podłączonego do urządzeń fizycznych, co umożliwi wykonanie prób w tzw. pętli hardware-in-the-loop (HIL). Funkcjonalność jest wykorzystywana w procesie szybkiego prototypowania. Dzięki oprogramowaniu Simulink Real-Time modele Simulink zostały rozszerzone o bloki sterowników kart we/wy, co

umożliwiło automatyczne generowanie aplikacji czasu rzeczywistego i wykonywanie operacji interaktywnych lub automatycznych na dedykowanym komputerze docelowym, wyposażonym w procesor czasu rzeczywistego, procesor wielordzeniowy i karty we/wy.

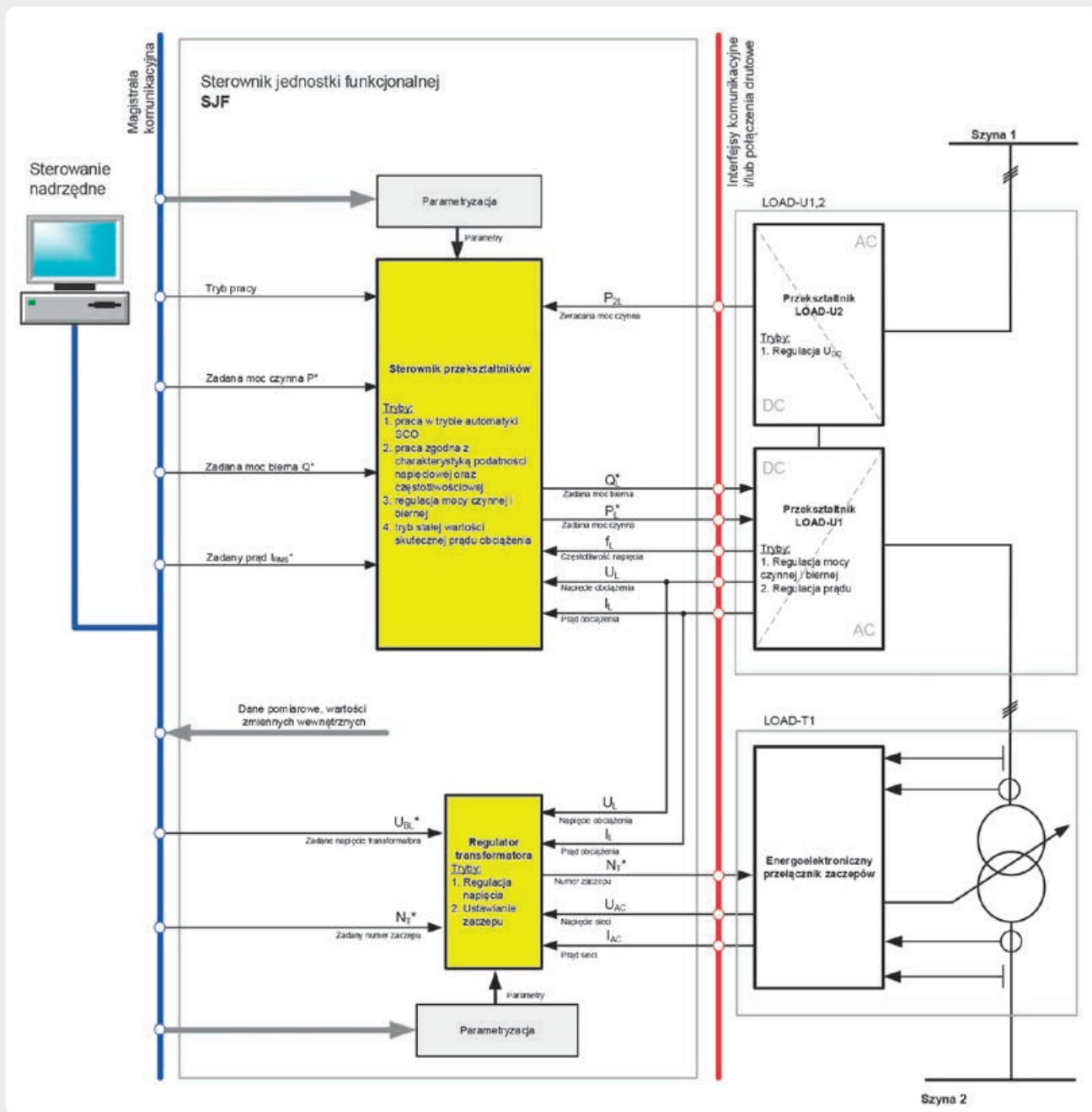
2. Implementacja

Laboratoryjny model odbioru opisany w niniejszym artykule składa się z następujących elementów: przemiennik częstotliwości 150 kVA oparty na tranzystorach IGBT, transformator 150 kVA 400/400 V/V wyposażony w sterowany tyrystorowo przełącznik zacze-
pów i sterownik jednostki funkcjonalnej oparty na komputerze PC z kartami we/wy i platformą Simulink Real-Time. Parametry elektryczne urządzeń podano w tab. 1.

Sterownik jednostki funkcjonalnej składa się z dwóch wielofunkcyjnych kart wejść/wyjść analogowych i cyfrowych RT-DAC4/PCI. Karty wykorzystują szynę PCI i są

This is a supporting translation of the original text published in this issue of "Acta Energetica" on pages 94–101. When referring to the article please refer to the original text.

PL



Rys. 2. Koncepcja rozdziału funkcji sterowniczych w jednostce

przeznaczone do zbierania danych pomiarowych i sterowane są w czasie rzeczywistym. Każda karta obsługuje 16 wejść analogowych (± 10 V), 4 wyjścia analogowe (± 10 V) i 32 wejścia/wyjścia cyfrowe. Parametry wewnętrzne i nastawy zmiennych modelu obciążenia można zmieniać i regulować w systemie Syndis-RV SCADA lub za pośrednictwem interfejsu panelu sterowania dołączonego do pakietu oprogramowania Simulink Real-Time. Schemat blokowy karty RT-DAC4/PCI przedstawiono na rys. 3.

3. Funkcjonalności

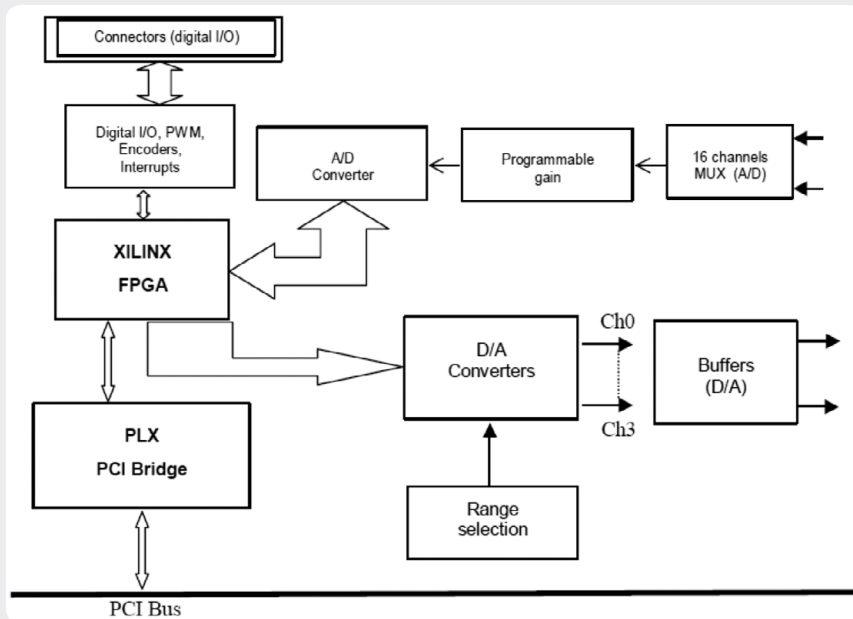
Ze względu na swą otwartą strukturę sterowania model odbioru umożliwia definiowanie wartości obciążenia w różnorodny

Przebiegnik mocy	Moc znamionowa Napięcie znamionowe Sprawność	± 150 kVA 3×400 V 80%
Transformator	Moc znamionowa Tryb pracy Napięcie znamionowe Zakres przełącznika zaczeppów	100 kVA S1 15 min 400 V/400 V $\pm 12^\circ \pm 15\%$
Sterownik jednostki funkcjonalnej	Napięcie zasilania Liczba wejść analogowych Liczba wyjść analogowych Liczba kanałów binarnych we/wy	230 V 32 (± 10 V) 8 (± 10 V) 64

Tab. 1. Parametry elektryczne urządzeń modelu obciążenia

This is a supporting translation of the original text published in this issue of "Acta Energetica" on pages 94–101. When referring to the article please refer to the original text.

PL



Rys. 3. Schemat blokowy karty RT-DAC4/PCI

sposób. Istnieją trzy główne warianty niezależnych nastaw następujących wartości:

- mocy czynnej i biernej
- mocy pozornej oraz współczynnika mocy
- wartości skutecznych składowych czynnej i biernej prądu.

Dodatkowo w każdym z wymienionych wariantów nastaw mocy można włączyć niezależnie lub jednocześnie trzy kolejne funkcje:

- charakterystyka podatności napięciowej
- charakterystyka podatności częstotliwościowej
- charakterystyka czasowa – zmienność mocy odbioru zdefiniowana w funkcji czasu $S = f(t)$ – umożliwia odtworzenie np. zmienności dobowej obciążenia.

Schemat blokowy trybów pracy i głównych funkcjonalności modelu odbioru przedstawiono na rys. 4.

W celu zwiększenia potencjału badawczego funkcjonalność modelu odbioru wzbogacano o dodatkowe możliwości kształtowania zmian mocy. Są nimi:

- niezależna zmiana nastawy mocy czynnej i biernej przy użyciu zadanych parametrów rampy $\Delta P/\Delta t$, $\Delta Q/\Delta t$
- niezależna skokowa lub płynna zmiana wartości mocy czynnej i/lub biernej do modelowania zaburzeń ΔP i/lub ΔQ
- możliwość redukcji mocy większej niż wartości powodującej zaburzenia ΔP i/lub ΔQ .

Charakterystyki podatności napięciowej i częstotliwościowej

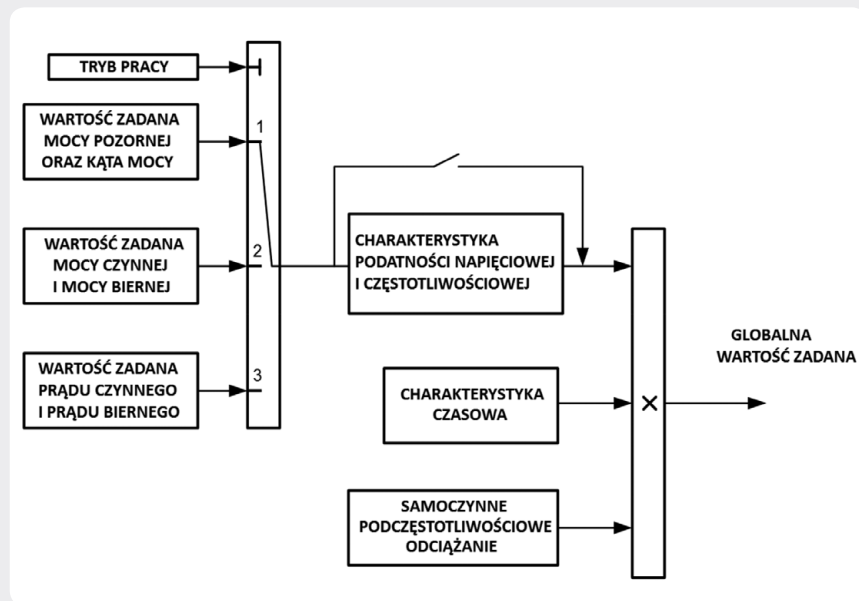
W S1F zaimplementowano podstawowy typ charakterystyk podatności napięciowej i częstotliwościowej. Opisane są one zależnościami odpowiednio dla mocy czynnej zależność 1, dla mocy biernej zależność 2:

$$P(U, f) = P_{ref} \cdot (p_1 \cdot u^2 + p_2 \cdot u + p_3) \cdot (1 + K_{pf} \cdot \Delta f) \quad (1)$$

$$Q(U, f) = Q_{ref} \cdot (q_1 \cdot u^2 + q_2 \cdot u + q_3) \cdot (1 + K_{qf} \cdot \Delta f) \quad (2)$$

gdzie:

- P_{ref} – zadana wartości mocy czynnej
- Q_{ref} – zadana wartości mocy biernej
- p_1, p_2, p_3 – współczynniki charakterystyki statycznej mocy czynnej
- q_1, q_2, q_3 – współczynniki charakterystyki statycznej mocy biernej
- K_{pf}, K_{qf} – współczynniki charakterystyki zależnej od częstotliwości
- Δf – odchyłka częstotliwości od wartości znamionowej
- U – wartość skuteczna napięcia.



Rys. 4. Schemat blokowy trybów pracy i funkcjonalności modelu obciążenia

Automatyka samoczynnego podczęstotliwościowego odciążania

W ramach zrealizowanego projektu zaimplementowano dwa algorytmy automatyki odciążającej. Pierwszy to automatyka samoczynnego częstotliwościowego odciążania – SCO (rys. 5). Odpowiada on stosowanej obecnie automatyce odciążającej. Drugi zaś to autorskie rozwiązanie o nazwie: rozmyta adaptacyjna automatyka odciążająca – RAAO, obszernie opisana w opracowaniu 2.

W tab. 2 podano wstępnie zdefiniowane wartości nastaw dla algorytmu SCO. Sterowanie mocą odbioru przy uwzględnieniu działania automatyki odciążającej umożliwia redukcję obciążenia odbiornika w zakresie 0–100%.

Charakterystyka czasowa

Ta funkcjonalność służy do zdefiniowania dwóch niezależnych profili zmienności. Zależnie od wybranego trybu pracy (rys. 4) przyjęte profile będą kształtowały zmienność odpowiednich wielkości $P, Q, I_p, I_Q, S, \cos(\phi)$. Dla danych opisujących profile zmienności nie zdefiniowano limitu czasowego, tym samym możliwe jest przeprowadzanie długotrwałych testów (wiele godzin lub dni).

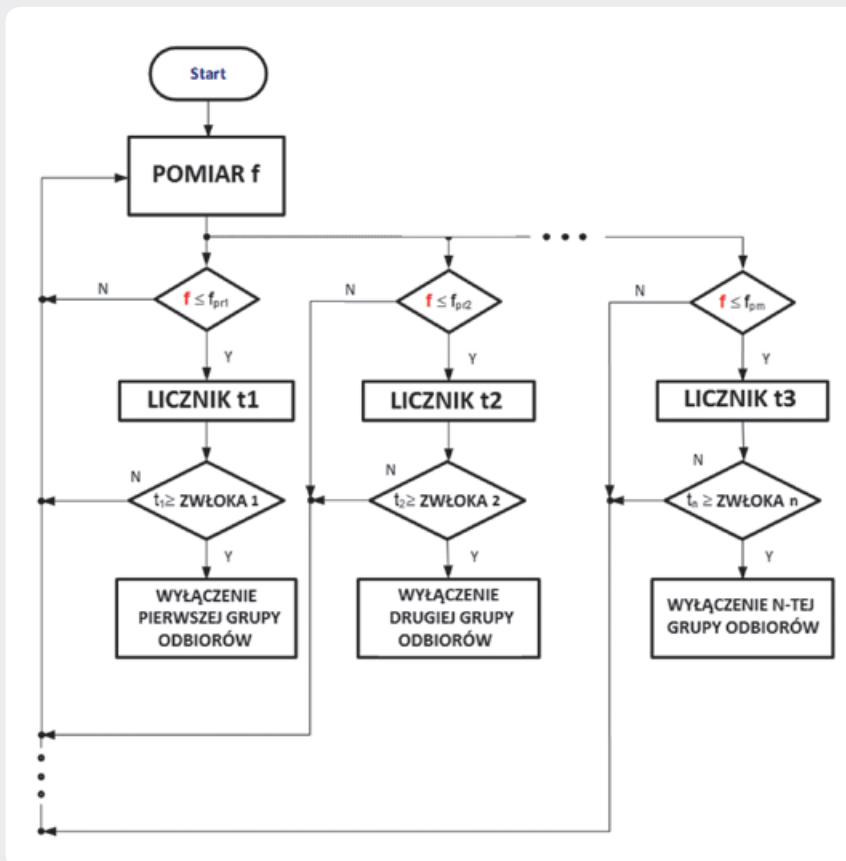
Transformator z energoelektronicznym przełącznikiem zaczipów

Transformator z energoelektronicznym przełącznikiem zaczipów jest integralną częścią laboratoryjnego modelu odbioru. Transformator posiada grupę połączeń YY0 z 25 zaczipami na każdej fazie po stronie wtórnej, co umożliwia regulację napięcia w zakresie 340–460 V, ze skokiem 5 V. Jako przełączniki zastosowano tyrystory połączone przeciwobnie z oddzielnym sterownikiem bramy dla każdego tyrystora. Transformator jest wyposażony w sterownik zapewniający następujące funkcje:

- przetwarzanie sygnałów pomiarowych otrzymanego napięcia i prądu

This is a supporting translation of the original text published in this issue of "Acta Energetica" on pages 94–101. When referring to the article please refer to the original text.

PL



Rys. 5. Algorytm automatyki SCO

Skok	Ia	Ib	IIa	IIb	III	IV	V
f [Hz]	49	49	48,7	48,7	48,5	48,3	48,1
Opóźnienie czasowe [s]	0,2	0,5	0,2	0,5	0,5	0,5	0,5
Moc skoku [%]	21	8	22	7	20	11	11

Tab. 2. Wprowadzone ustawienia automatycznej podczuśliwościowej redukcji obciążenia

- synchronizacja z sygnałami prądu wyjściowego
 - komunikacja ze sterownikiem jednostki funkcjonalnej
 - komunikacja ze sterownikami bram
 - sterowanie komunikacją światłowodową
 - wykonywanie funkcji zabezpieczeń: wewnętrzne zabezpieczenie przeciwzwarciowe, zabezpieczenie nadprądowe, zabezpieczenia układów elektronicznych.
- Schemat koncepcji sterowanego tyrystorowo podobciążeniowego przełącznika przedstawiono na rys. 6.

Parametry algorytmu sterowania:

- całkowity czas cyklu obliczeniowego algorytmu: 10 μ s
- czas przesyłania danych: <10 μ s
- całkowity czas algorytmu: <20 μ s
- błąd działania tyrystora: <2 π · 10⁻³ rad
- maksymalna wartość THD napięcia w normalnej pracy: 10%
- maksymalna wartość THD prądu w normalnej pracy: 10%

- maksymalny czas przełączenia pomiędzy sąsiednimi zaczeskami: <20 ms
- maksymalny czas przełączenia pomiędzy dowolnymi zaczeskami: <0,5 s.

Algorytm regulacji transformatora zaimplementowany w SJF pozwala na wybór dwóch kryteriów regulacji:

- kryterium utrzymywania zadanej wartości napięcia po dowolnej stronie transformatora
- kryterium utrzymywania zadanej wartości mocy biernej po dowolnej stronie transformatora.

Ponieważ czas przełączania pomiędzy dwoma sąsiednimi zaczeskami nie przekracza 20 ms, regulator transformatora został opracowany w taki sposób, by było możliwe emulowanie działania elektromechanicznego przełącznika zaczesków (czas przełączania rzędu kilku, kilkadziesiąt sekund). Realizacja polega na odpowiednim nastawieniu opóźnień czasowych przełączania.

4. Przykładowe wyniki testów Zmienność mocy odbioru

Opracowany laboratoryjny model obciążenia umożliwia definiowanie i otrzymywanie zależnej od czasu charakterystyki mocy w szerokim zakresie. Przykłady otrzymanych charakterystyk różnych obciążeń mocą przedstawiono na rys. 7.

Na podstawie tego przykładu i cech modelu obciążenia można wymienić następujące zalety:

- Duża szybkość zmian mocy, rys. 7a, b. Wyznaczone opóźnienie w osiągnięciu wartości zadanej nie przekracza 200 ms.
- Możliwość niezależnego kształtowania charakterystyki zmienności mocy czynnej i biernej, rys. 7c.
- Brak ograniczenia czasu trwania doświadczenia (minuty, godziny), rys. 7d.
- Praktycznie nieograniczone możliwości kształtowania charakterystyk czasowych mocy czynnej i biernej. Wyniki badań zapisywane są w plikach na dysku lokalnym. Liczba plików jest praktycznie nieograniczona. Typowym zastosowaniem tej funkcjonalności może być odtwarzanie zmienności mocy odbiorów zarejestrowanych na obiekcie rzeczywistym.

Test regulatora napięcia transformatora

Na rys. 8 pokazano wyniki testów sprawdzających poprawność działania regulatora transformatora. Ponieważ szybkość działania energoelektronicznego przełącznika zaczesków jest wielokrotnie większa od szybkości działania elektromechanicznego przełącznika zaczesków, wprowadzono dodatkowe opóźnienie działania, pozwalające emulować pracę konwencjonalnego przełącznika zaczesków. Wymuszeniem w tym przypadku była zmiana obciążenia mocą bierną, która spowodowała zmianę napięcia transformatora. Wyniki pracy sterownika napięcia transformatora przedstawiono na rys. 8.

Na rys. 9 przedstawiono wyniki testów, ilustrujące szybkości działania elektronicznego przełącznika zaczesków (EETC).

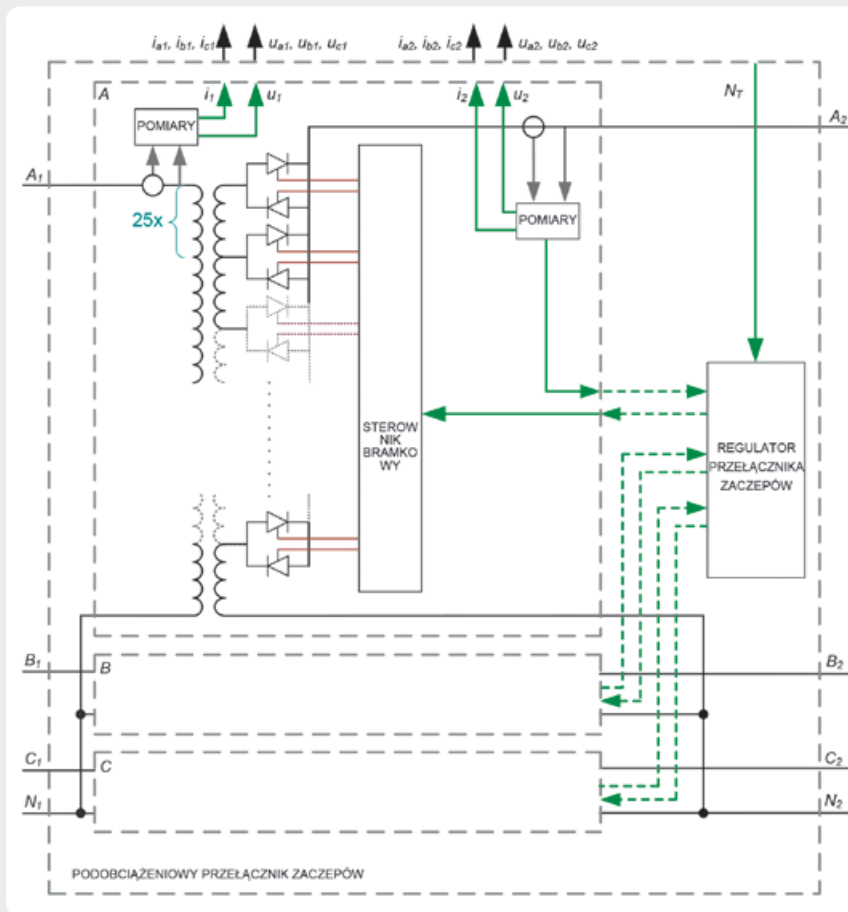
Na rys. 9 zestawiono wyniki uzyskane przy tym samym zaburzeniu, po zastosowaniu energoelektronicznego oraz elektromechanicznego przełącznika zaczesków. Jak łatwo zauważyć, szybkość działania energoelektronicznego przełącznika wprowadza nową jakość w procesie regulacji napięć i rozplywu mocy biernej w systemie elektroenergetycznym.

Automatyka samoczynnego częstotliwościowego odciążania

W czasie przeprowadzania testów automatyki SCO nie było możliwe stworzenie układu wyspowego, tym samym nie było możliwości stworzenia sytuacji, w której na skutek zaburzenia bilansu mocy czynnej nastąpi załamanie częstotliwości. Ocena poprawności działania algorytmu automatyki odciążającej została przeprowadzona na podstawie sztucznie wprowadzonej zmienności wartości częstotliwości mierzonej. W celu emulacji zmienności częstotliwości spowodowanej zaburzeniem bilansu mocy czynnej oraz działania automatyki SCO wykorzystano zależność (3) [2].

This is a supporting translation of the original text published in this issue of "Acta Energetica" on pages 94–101. When referring to the article please refer to the original text.

PL



Rys. 6. Schemat koncepcji przełącznika zaczepów pod obciążeniem

$$\frac{d\Delta f^*}{dt} = \frac{1}{T_{Jg\Sigma} \cdot \left[1 + \beta \cdot (1 + \Delta P^*) \cdot \left(1 - \sum_1^k P_{SCO}^* \right) \right]} \cdot \left\{ 1 + (1 + \Delta P^*) \cdot (1 + k_{\sigma\Sigma}^* \cdot \Delta f^*) \cdot \left(1 - \sum_1^k P_{SCO}^* \right) \right\} \quad (3)$$

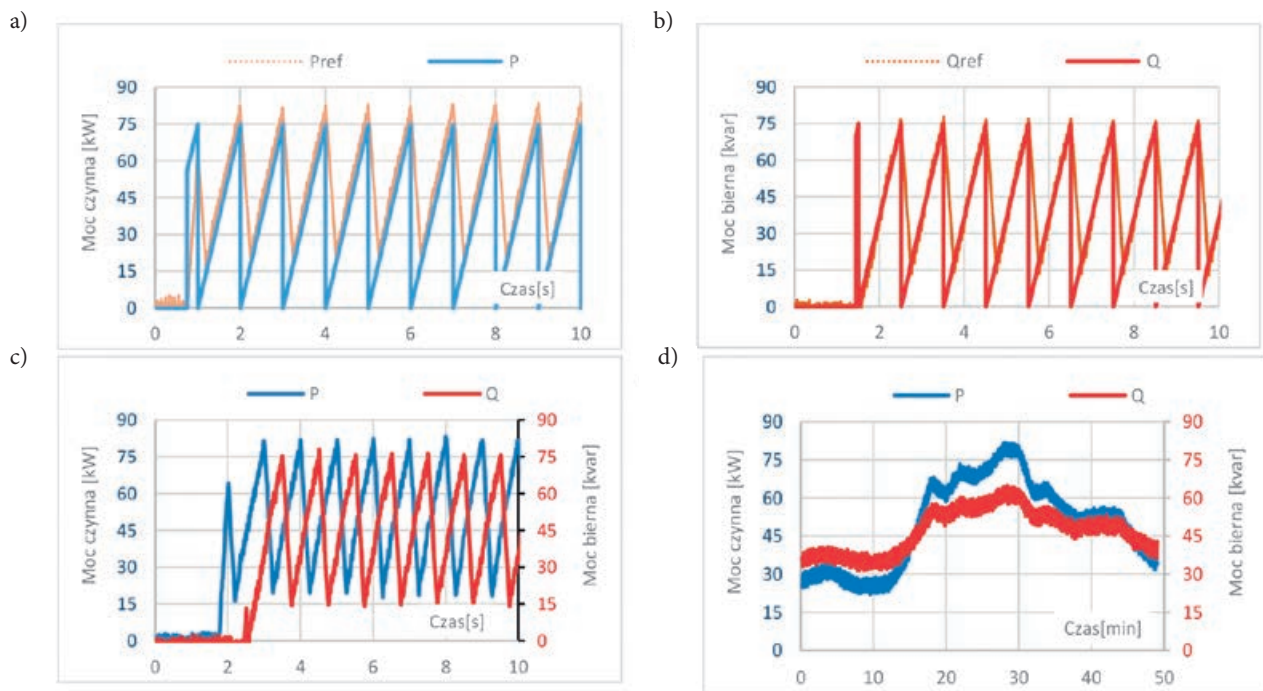
gdzie:

$T_{Jg\Sigma}$ – średnia ważona stałej czasu inercji konwencjonalnych zespołów wytwórczych pracujących po zaburzeniu ($T_{Jg\Sigma} = 5 \div 10$ s) – stosunek stałej czasu inercji obciążenia do średniej ważonej stałej czasu inercji konwencjonalnych zespołów wytwórczych pracujących przed zaburzeniem ($\beta = 0,3 \div 0,5$)
 ΣP^* – wartość deficytu mocy względnej
 P_{SCO}^* – moc skoku mocy względnej, działanie automatyki SCO.

Równanie (1) zostało zaimplementowane w SJF, a wartości ΔP^* i P_{SCO}^* są wartościami pomierzonymi (odbiornik pracował na sieć sztywną). Wyniki symulacji przedstawiono na rys. 9.

Wyniki testów pokazane na rys. 10 potwierdzają poprawność działania automatyki odciążającej.

Przy realizacji tego testu zweryfikowano, niejako przy okazji, funkcjonalność umożliwiającą szybkie prototypowanie układów sterowania i regulacji. Umożliwia ona wprowadzanie praktycznie nieograniczonych zmian w algorytmie sterowania oraz automatyczne generowanie aplikacji czasu rzeczywistego. Dzięki temu możliwe jest rozszerzenie zakresu eksperymentu



Rys. 7. Otrzymane charakterystyki czasowe mocy, a) Moc czynna, b) Moc bierna, c) Moc czynna i bierna o niezależnie zdefiniowanych charakterystykach czasowych d) Przykład modelowania dziennej zmienności obciążenia

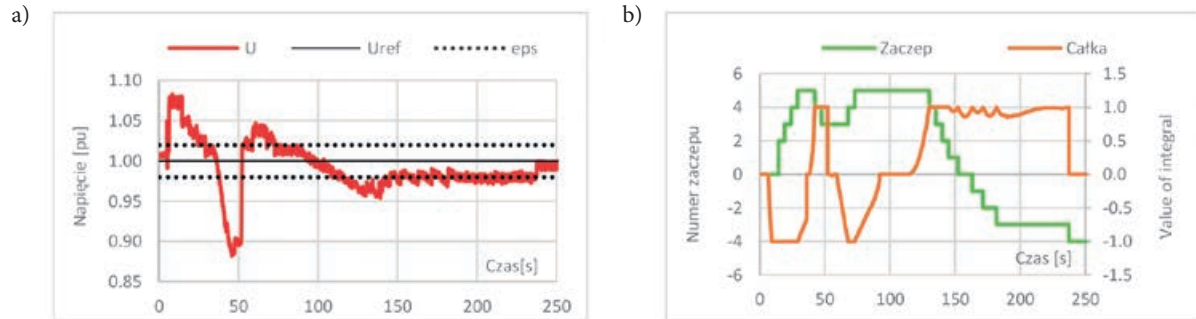
This is a supporting translation of the original text published in this issue of "Acta Energetica" on pages 94–101. When referring to the article please refer to the original text.

PL

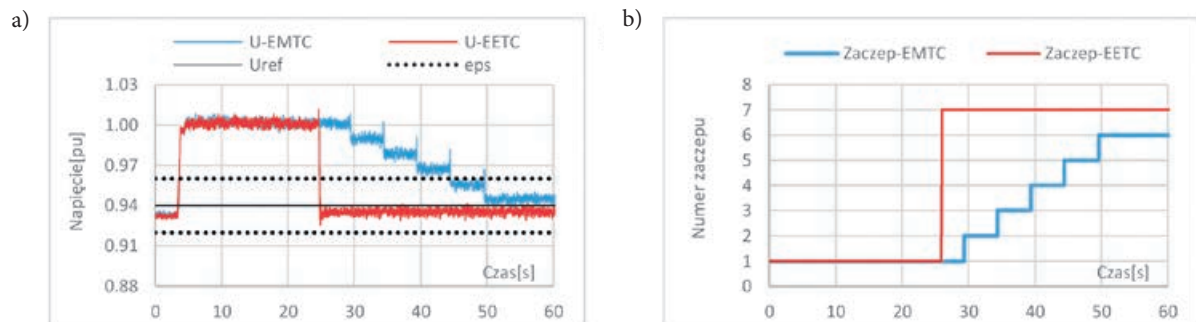
badawczego o dodatkowe, nieprzewidziane w bazowej wersji algorytmu rozwiązania. Wykonywanie operacji interaktywnych lub

automatycznych na dedykowanym komputerze docelowym można rozpocząć bezpośrednio po wygenerowaniu nowej wersji

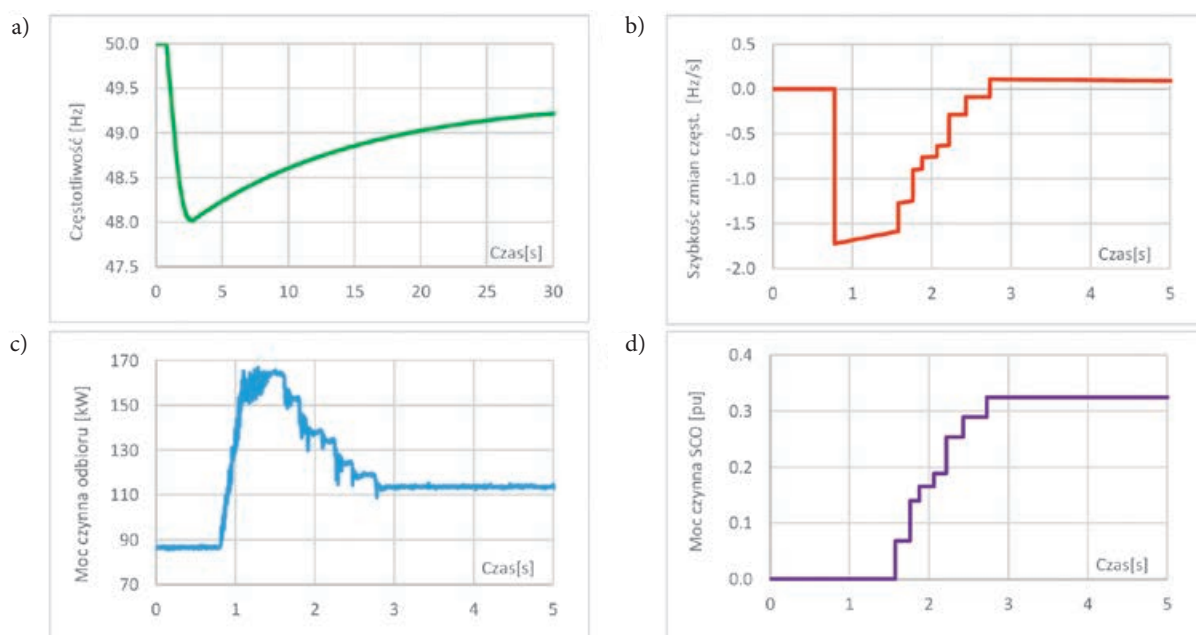
aplikacji czasu rzeczywistego przy użyciu zmodyfikowanego algorytmu sterowania.



Rys. 8. Praca regulatora transformatora w trybie emulacji elektromechanicznego przełącznika zaczepek, a) Zmienność napięcia, b) Numer zaczepek i wartość całki uchybu regulacji



Rys. 9. Porównanie szybkości działania przełączników zaczepek typów EMTC – modelowanych jako elektromechaniczny przełącznik zaczepek oraz EETC – modelowanych jako energoelektroniczny przełącznik zaczepek, a) Napięcie, b) Pozycja zaczepek



Rys. 10. Wykres czasowy a) Częstotliwości, b) Pochodna częstotliwości, c) Obciążenie mocą czynną, d) Moc czynna UFLS. Założenia: $T_{I\Sigma} = 10$, $\Delta P^* = 0,5$, $k^*_{\omega\Sigma} = 1$, $\beta = 0,3$

This is a supporting translation of the original text published in this issue of "Acta Energetica" on pages 94–101. When referring to the article please refer to the original text.

PL

5. Wnioski i spostrzeżenia

Przedstawione w referacie wyniki przeprowadzonych testów potwierdzają poprawność przyjętej koncepcji sterowania. Sterowanie w pętli otwartej zarówno przekształtnikiem, jak i przełącznikiem zacze- pów umożliwia implementację dowolnie złożonego al- goritmu sterowania.

Zastosowanie przekształtnika jako sterowa- nego odbiornika mocy czynnej lub biernej pozwala uzyskać dużą elastyczność dzia- łania. Co więcej, transformator wyposa- żony w energoelektroniczny przełącznik zacze- pów wprowadza szeroki zakres możli- wości testowania nowych i innowacyj- nych algorytmów regulacji napięcia i mocy biernej.

Wykorzystanie tytułowego modelu odbioru umożliwia również modelowanie różnych zaburzeń w sieci, np. zapadów, wzrostów czy też fluktuacji napięcia lub

częstotliwości. Stąd też opisywany model odbioru znajduje szerokie zastosowanie w testach innych urządzeń zainstalowa- nych w laboratorium LINTE², a także urządzeń będących na etapie wczesnych prób produkcyjnych przyłączanych do sieci laboratorium za pomocą dedykowanych pól w rozdzielni.

Bibliografia

1. Dostawa instalacji badawczej laborato- rium innowacyjnych technologii elek- troenergetycznych i integracji odnawial- nych źródeł energii LINTE² wraz z jej zaprojektowaniem, montażem i urucho- mieniem (przetarg nieograniczony), załącznik z1 do specyfikacji istotnych warunków zamówienia, postępowanie nr ZP/124/014/D/13, Gdańsk 2013.

2. Małkowski R., Nowe algorytmy działania automatyki samoczynnego częstotliwo- ściowego odciążania (SCO) w systemie elektroenergetycznym, rozprawa doktorska, Gdańsk czerwiec 2003.
3. Małkowski R., Badania symulacyjne weryfikujące poprawność doboru mocy odciążania dla automatyki samoczynnego częstotliwościowego odciążania, *Zeszyty Naukowe Politechniki Gdańskiej, seria Elektryka* nr 54, Gdańsk, 2000.
4. Instrukcja obsługi oprogramowania Simulink 2014b.
5. Dokumentacja techniczno-ruchowa transformatora z energoelektronicznym przełącznikiem zacze- pów, zaprojektowa- nego na potrzeby projektu LINTE².

Robert Małkowski

dr inż.

Politechnika Gdańska

e-mail: robert.malkowski@pg.gda.pl

Ukończył studia na Wydziale Elektrotechniki i Automatyki Politechniki Gdańskiej w 1999 roku. Cztery lata później uzyskał stopień naukowy doktora. Pracuje na stanowisku adiunkta w Katedrze Elektrotechniki Politechniki Gdańskiej. Jego zainteresowania naukowe skupiają się na kwestiach energetyki wiatrowej, awarii krytycznych systemów elektroenergetycznych, a także poziomach napięcia i rozkładzie mocy biernej w systemach elektroenergetycznych.

Bartosz Kędra

mgr inż.

Instytut Energetyki Instytut Badawczy Oddział Gdańsk

e-mail: b.kedra@ien.gda.pl

Student Aalborg University, absolwent Akademii Górniczo-Hutniczej, kierunek elektrotechnika. Od 2006 roku pracownik Instytutu Energetyki, Oddział Gdańsk, w Zakładzie Automatyki i Analiz Systemowych. Zainteresowania: jakość energii, aktywne filtry mocy, energoelektronika.