

MIKOŁAJ BARTŁOMIEJCZYK, LESZEK JARZĘBOWICZ*

ENERGY SAVINGS
BY APPLICATION OF SUPERCAPACITOR STORAGE
IN TROLLEYBUS SUPPLYING STATION
– ANALYSIS OF EXPERIMENTAL RESULTS

OGRANICZENIE ZUŻYCIA ENERGII
W TRAKCJI TROLEJBUSOWEJ
PRZY POMOCY INSTALACJI STACJONARNYCH
ZASOBNIKÓW SUPERKONDENSATOROWYCH
– WYNIKI BADAŃ EKSPERYMENTALNYCH

Abstract

In 2011–2013, stationary supercapacitor storage developed by the Electrotechnical Institute in Warsaw was put into trial operation in the trolleybus substation “Północna” (North) located in Gdynia. The article presents the results recorded during supercapacitor storage operation and discusses the impact of the storage on energy consumption savings. Guidelines for selecting a location for stationary supercapacitor storage were carried out based on exploitation experience.

Keywords: supercapacitor storage, trolleybus, vehicle supply system, regenerative braking, energy consumption savings

Streszczenie

W latach 2011–2013 na podstacji trolejbusowej Północna w Gdyni testowany był stacjonarny zasobnik superkondensatorowy Instytutu Elektrotechniki w Warszawie. W artykule przedstawiono wyniki jego badań. Główny nacisk położono na analizę wpływu warunków ruchowych na efektywność oszczędności zużycia energii za pomocą zasobnika. Wyniki przedstawione w artykule są oparte o dane pomiarowe i mogą stanowić pomoc do określenia miejsc dla instalacji stacjonarnych zasobników superkondensatorowych.

Słowa kluczowe: superkondensatory, trolejbusy, układ zasilania pojazdu, hamowanie odzyskane, oszczędzanie energii

* Ph.D. Eng. Mikołaj Bartłomiejczyk, Ph.D. Eng. Leszek Jarzębowicz, Faculty of Electrical and Control Engineering, Gdańsk University of Technology.

1. Introduction

One of the main advantages of electric vehicles is the possibility of energy recovery during braking, which is called recuperation. Recuperation allows for a reduction of the energy demand by re-using the braking energy. In recent years, research in the field of storing and re-using regenerative braking energy has become very intensive. This is caused by an increasing number of vehicles equipped with recuperation systems and global demands for reducing the consumption of electrical energy.

In typical DC supply systems of the public transport (tramways, trolleybuses), recovered energy can be re-used by auxiliary receivers in a braking vehicle or by the other vehicles. If there is no vehicle, which is accelerating at the same time, this energy is turned into heat in braking resistors. In order to avoid such a situation, energy storage systems can be used, e.g. supercapacitors or flywheels. Nowadays, many energy storages are in operation in tram, trolleybus and metro systems. Optimisation of the parameters and location of storage devices for regenerative braking energy has become very significant [1–6].

Storage devices can be divided into two groups: on-board energy storage devices, which are placed in the vehicles and off-board energy storage devices, situated in traction substations or between them. Current research is focused mainly on two objectives. The first is to reduce the energy demand by introducing on-board energy storages in light electric vehicles like trams, trolleybuses or electrobuses [7–9]. The latter is to provide a supplying system for heavy electric vehicles (trains, metro) with an off-board energy storage [10–13]. In contrast to this, a lack of research in the field of off-board storage energy systems for light electric vehicles can be noticed. Tram and trolleybus transportation is highly developed in plenty of European cities. Many tram and trolleybuses operators consider putting into service off-board energy storage systems. This motivated the authors of this article to analyse the efficiency of regenerative braking in the trolleybus supplying system using off-board energy storage.

2. Energy flow in a trolleybus traction network

Catenary and supplying stations (substations) of the trolleybus supplying system are means for electric energy transmission, both derived by substation rectifier units and by vehicles regenerative braking. As a result, the parameters and operating conditions of the power supply system are crucial for the course of the recuperation process in the trolleybus network.

To enable vehicles to use recuperation energy, it is necessary to fulfil two main conditions:

- the voltage generated by the vehicle during braking must be higher than the voltage of the traction network,
- there must be a recipient of the energy generated during braking.

The second condition involves the energy conservation principle, which implies the need to balance the energy given to and collected from the traction network. In case of typical trolleybus substations, which are equipped with uncontrolled rectifiers, the only energy recipient may be another vehicle. Another aspect related to the fulfilment of the second



condition is the existence of possible flow of energy between the braking and accelerating vehicle. Therefore, there must be a galvanic connection between the vehicles. Consequently, the vehicles must be on the same power supply section, or two different power supply sections yet powered from one traction substation. Only in case of bilateral power supply of the traction network vehicles can be found in the area of two different substations. However, bilateral power is rarely used for the trolleybus traction.

Figure 1 shows the flow of energy from regenerative braking for vehicles situated within one section of the power supply. In this case, energy is carried by the traction network directly, without the involvement of the traction substation. This is an optimal variant of recuperation, characterised by the smallest transmission losses. In real conditions, such recuperation may take place only in case of high traffic density power sections, where, on average, there are at least a few vehicles.

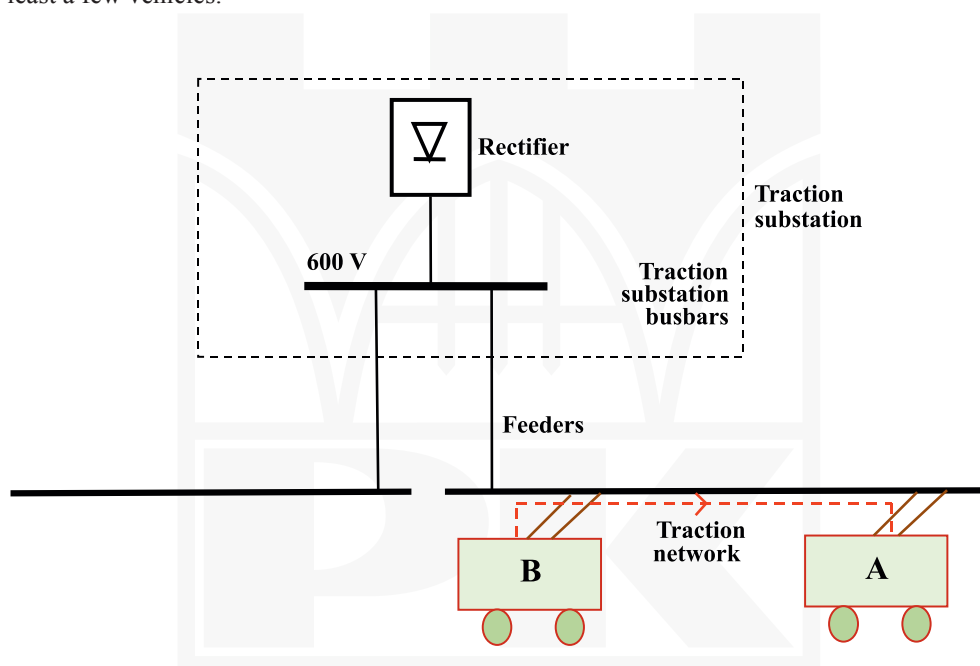


Fig. 1. Regenerative braking energy flow between vehicles situated at the same power supply section (A – accelerating vehicle, B – braking vehicle)

A more frequent case of regenerative braking energy flow is presented in Fig. 2, in which braking vehicle and receiving vehicle are on different power supply sections of the same traction substation. Electric energy flows through the feeders and traction substation busbars. This involves the occurrence of energy losses in the transmission of energy over a considerable distance.

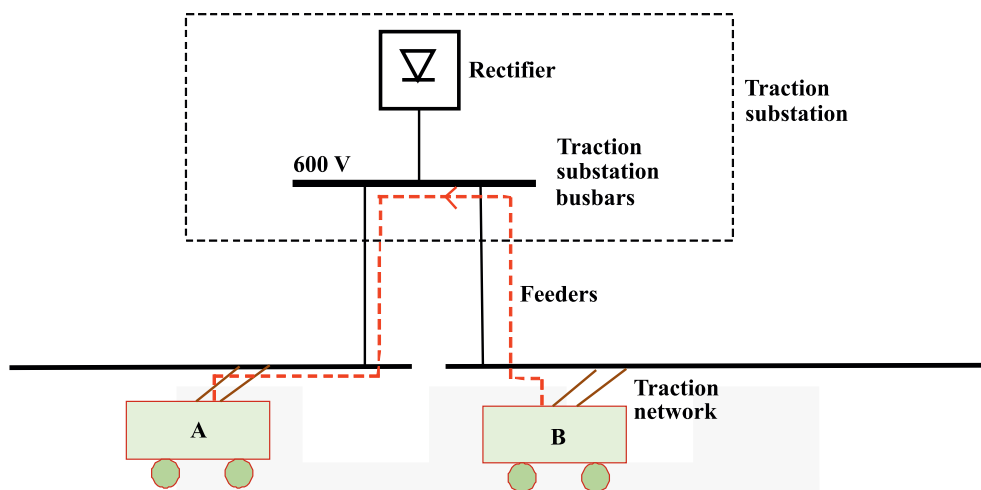


Fig. 2. Regenerative braking energy flow in case of vehicles located on different power supply sections of the same traction substation (A – accelerating vehicle, B – braking vehicle)

3. Consideration of energy storage location

The aim of introducing energy storage is to collect recuperation energy when it is not possible to use it at the time of braking. The stored energy can be utilised later, when the demand for power will appear. At the current advancement of technology, supercapacitor storages are the most promising option.

Supercapacitors may be placed in:

- vehicles,
- traction substations,
- locations close to the supplying system, but out of traction substations.

Placing supercapacitors in the vehicles involves increased trolleybus weight. As a result, the passenger volume declines. The weight of the vehicle storage system on a trolleybus is at a level of 500 kg, which means that the capacity will be reduced by 8 persons. In other words, for a typical trolleybus length of 12 meters, the capacity would decrease by 10%. Furthermore, an increase in weight results in a rise of electric energy consumption, which reduces the efficiency of energy recovery. Stationary electricity storages are not affected by those drawbacks.

From a technical point of view, the easiest solution is to place the supercapacitor storage inside a traction substation, as schematically shown in Fig. 3. The storage is then connected to the substation busbar. Such a solution does not require costly investments in construction and it is not associated with the problem of limited access to the urban area.

The load flow of the recovered energy, in the case of a supply system with the stationary supercapacitor energy bank, is presented in Fig. 4. Part of energy $E_{recuperation}$ generated in the traction drive during regenerative braking is consumed by auxiliary receivers in the vehicle (lighting, heating, compressor, hydraulic pump etc.) – this energy was marked as $E_{auxiliary}$. The remaining energy is turned back into the supplying system and absorbed by other vehicles running within the supply section ($E_{network}$). The excess of the energy $E_{storage}$ is stored in the supercapacitor storage.

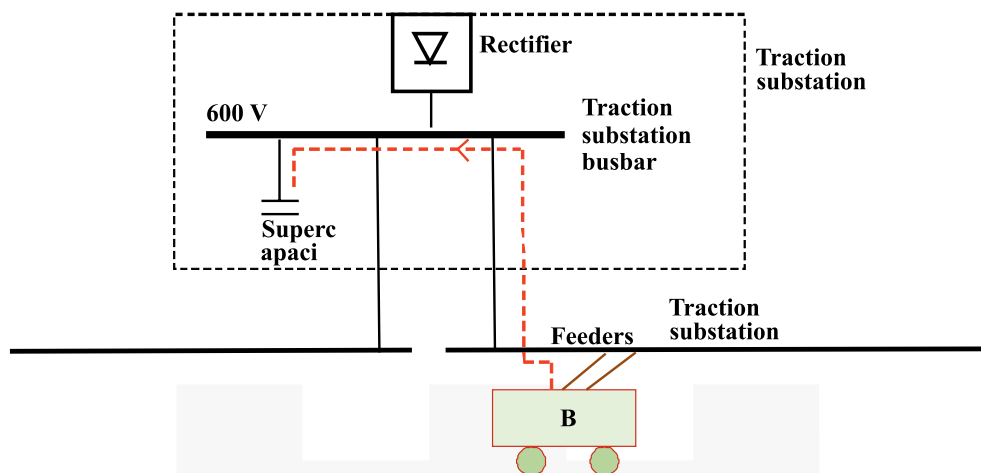


Fig. 3. Placing a stationary supercapacitor in the traction substation

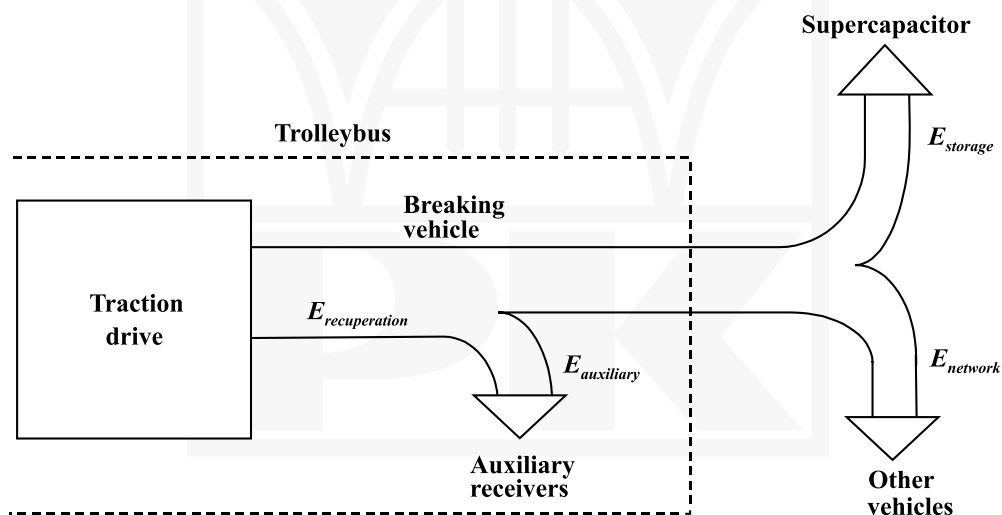


Fig. 4. The load flow of the recovered energy

4. Experimental setup

Experimental analysis of energy savings resulting from the introduction of supercapacitor storage placed in a traction substation was conducted in the city of Gdynia. Gdynia, with more than 250 000 inhabitants, is placed on the north side of Poland, by the Baltic Sea. Currently, there are 85 vehicles exploited in the trolleybus network, out of which 50% are equipped with recuperation systems. Energy savings in these vehicles, resulting from recuperation, are at a level of 20%.



A trolleybus is an electric rail-less vehicle of public transport, supplied from two-wire overhead catenary by two current collectors. The supply voltage is 600–800 V. The catenary is divided into sections, which are supplied from traction substations by feeders. The length of each supply section is ca. 1–4 km, the distance between substation is 2–10 km. The installed power of substation is 500–4 000 kW.

In 2009, the trolleybus transport company of Gdynia – ‘PKT Gdynia’, started cooperation with the Traction Department of Electrical Institute in Warsaw (IEL) in order to put into test the operation supercapacitor energy storage. The storage was designated for an installation in a trolleybus substation. The supercapacitor storage system was installed in April 2011. Research presented in this paper aim to provide an empirical model of determining the potential savings of energy consumption by introducing an energy storage unit. The influence of the road traffic density on the amount of energy accumulated in the supercapacitor storage was analysed.

The prototype of the supercapacitor storage was installed in the trolleybus traction substation “Północna”. This substation was built in 1992. In 2010, it was completely renovated. Now, substation “Północna” is equipped with 2 rectifier units with 1200 kVA transformers and supplies 6 feeders. Nowadays, it is the biggest traction substation in Gdynia. The supercapacitor storage was placed in the space reserved for a possible installation of the third rectifier group (Fig. 5). The scheme of area supplied by substation “Północna” is presented in Fig. 6.



Fig. 5. Supercapacitor energy bank installed in the traction substation Północna in Gdynia; 1 – supercapacitor modules, 2 – DC/DC converter with the controller, 3 – protection modules and filter



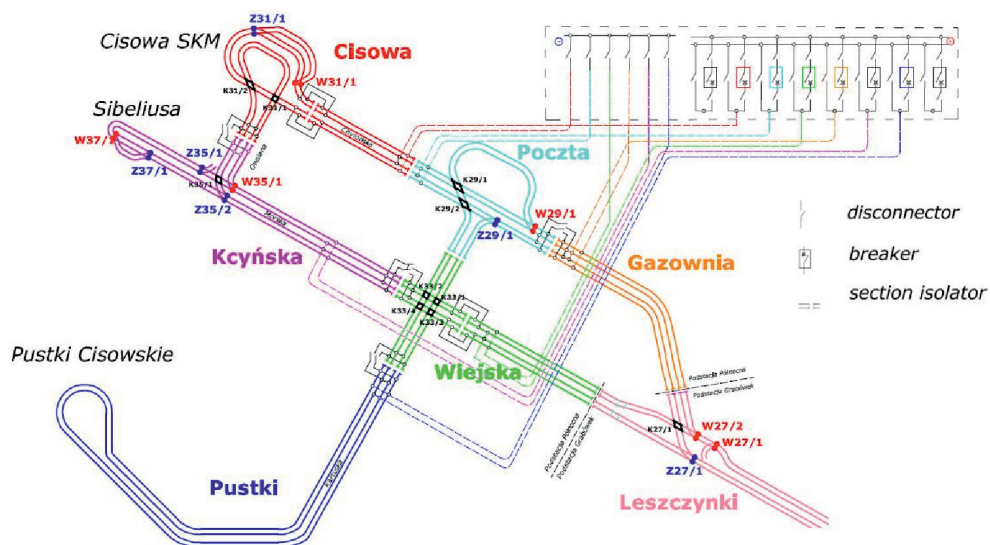


Fig. 6. The scheme of supply area of the “Północna” substation

The supercapacitor energy storage consists of the following components (Fig. 7):

- Input module with the protection fuse and the input filter (F1, X0, CF1),
- 150 kW DC/DC converter (T0, T1, T2, D0, CF2, X1),
- 4 supercapacitor modules LS Mtron 201.6 V 41 F (SC1),
- supercapacitors discharge resistor R2,
- control system.

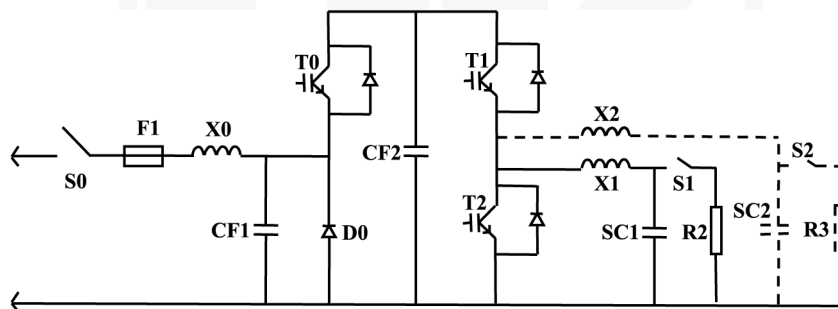


Fig. 7. Principal scheme of the supercapacitor energy storage

The energy capacity of currently installed supercapacitors modules is 0.7 kWh. Figure 5b shows the inside the supercapacitor system. The control algorithm of the supercapacitor system is based on measuring the busbar voltage U_F and the current of rectifier units I_r (Fig. 8).

The location of the supercapacitor system at the “Północna” substation was dictated by the organisational and operational aspects, but from an energy point of view, this substation is not an optimal choice for the installation of the storage system. The “Północna” substation

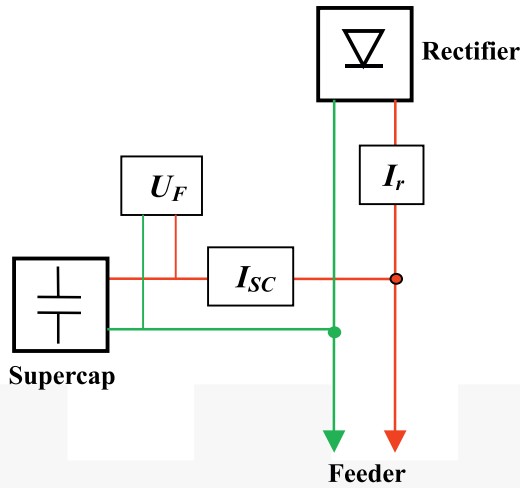


Fig. 8. Principal scheme of measurement points of the supercapacitor control system

has a vast supply area where, typically, many vehicles are on the run. This increases the probability of the energy flow between braking and accelerating vehicle. Therefore, the amount of unused recuperation energy is small and the installation of the supercapacitor energy storage becomes ineffective. In order to carry out the aimed research, connections setup of traction substation was modified, by blocking the flow of regenerative braking energy between the feeders. With this solution, it become possible to analyse the amount of energy accumulated from regenerative braking performed within a single supply section. It creates the conditions, which are present in the traction substation equipped with one feeder and it allows to test the supercapacitor system in different conditions of road traffic. The modification was conducted by placing the diode D in the standby switch circuit breaker WSR. A simplified diagram of the DC switchgear with the modifications is shown in Fig. 9.

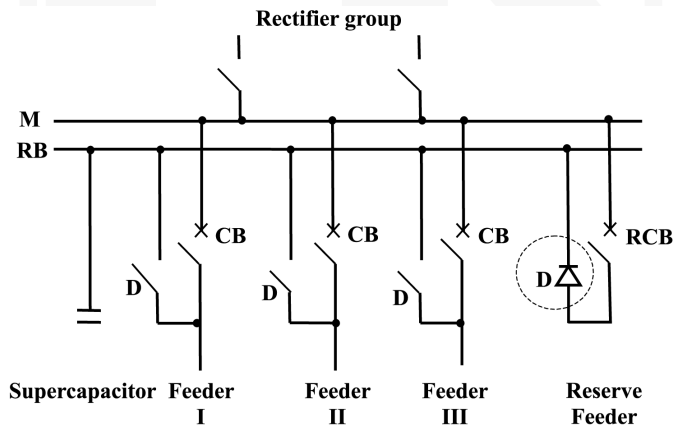


Fig. 9. Simplified diagram of the DC switchgear of traction substations with the modifications to the tests of supercapacitor energy storage



In the normal state of DC switchgear operation, currents flow from the rectifier groups by the main busbar MB of the substation and the circuit breaker SB to the feeders. In case of regenerative braking, recuperated energy flows from the feeder, by the circuit breaker CB to the main busbar MB, and then is absorbed by other feeders. To block the flow of energy between feeders, a selected feeder must be switched to the supply through the reserve circuit breaker (RCB). It can be conducted by turning on the circuit breaker CB of the selected feeder, switching on the disconnector D of the selected feeder and switching the reserve circuit breaker RCB. Then, the supplying current flows through: rectifiers – main busbar MB – circuit breaker CB – diode D – reserve busbar RB-reserve circuit breaker RCB – the selected supply feeder. An additional diode D prevents the flow of recuperated energy to other feeders. When a vehicle recuperates energy, it is returned by the reserve busbar RB to the storage system. This way, it becomes possible to simulate conditions that occur in a small traction substation, with varying intensity of road traffic.

Figure 10 shows a selected part of the waveforms recorded during supercapacitor storage operation. Waveforms 1, 2, 3 are respectively: the feeder voltage U_F , storage system current I_{SC} and current absorbed from the rectifier groups I_R . A positive value of the storage system current means charging, negative – discharging. One of the instants of supercapacitor charging was marked by colour purple. The increase in the supply voltage during recuperative braking is visible. When the load of the feeder occurs, the supercapacitor is discharged – the load current is distributed between the storage system and rectifiers (circle of colour brown).

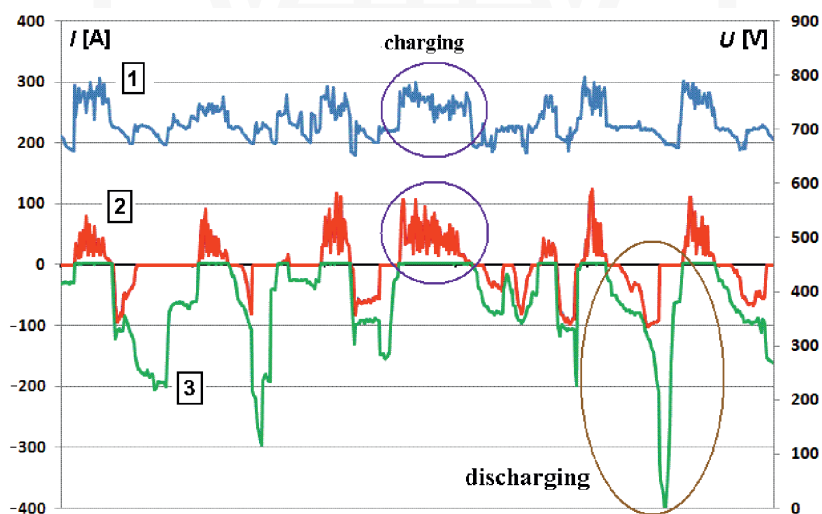


Fig. 10. A fragment of the recording of supercapacitor system operation, blue line – voltage of feeder, red line – supercapacitor current, green line – load current of substation rectifier

5. Measurement results

The main target of the measurements was to examine the work of supercapacitor storage with individual supply sections. As those sections are characterised by a variety of supplying area lengths, such an approach allows to evaluate the utility of the storage system in different traffic



conditions. The measurements of the storage system operation with individual supply sections were carried out within 10 days. Five feeders of the “Pólnocna” substation were selected for the tests. The measurements were carried out during the day, between 9:00 and 19:00. At this time-range, the scheduled intervals of trolleybus traffic are constant. The measurements of the section “Gazownia” were made 4 times in different road conditions. Measurements “Kcyńska Wiejska” and “Gazownia Wiejska” refer to two supply sections slit together.

The measurements were recorded in two places: in traction substation and in the vehicles. This allowed to follow the amount of energy taken from the substation and stored in supercapacitor storage. This value was compared with the recording of the energy consumption of vehicles. As a result, the energetic balance was obtained.

The following parameters were registered:

- in the “Pólnocna” substation:
 - voltage and current of the supercapacitor storage system,
 - voltage and current of the supply feeder,
- in vehicles:
 - voltage and current of the traction drive,
 - voltage and current of the auxiliary receivers.

Trolleybuses in Gdynia are equipped with the system of energy consumption management, which records the energy absorbed in the vehicle as well as the GPS position. It allows to determine precisely the energy consumed by trolleybus in individual supply sections. The registrations on the substation “Pólnocna” were carried out by recorder HIOKI 8880, which was connected to reserve switch breaker field in DC switchboard.

The results of the measurements were post-processed in order to obtain:

- total amount of energy taken by feeder during a day,
- total amount of energy E_{stored} saved by supercapacitor system during a day,
- total amount of recuperation energy $E_{recuperation}$ recovered by traction drive in each of the trolleybuses on the chosen supply section,
- total amount of auxiliary energy $E_{auxiliary}$ consumed from the recovered energy $E_{recuperation}$ in each of the trolleybuses on the chosen supply section.

The part of recovered energy consumed by other vehicles $E_{network}$ was estimated as a difference between energy $E_{recuperation}$ and E_{stored} (Fig. 4).

The results of measurement analysis for vehicles are presented in the Fig. 11 and Fig 12. Fig. 11 presents the relative amount of energy recovered $E_{recovered}$ in trolleybuses equipped with the system of recuperation braking. Fig. 12 presents the relative amount of recovered energy for a supply section. Those values are smaller than the previous because not every vehicle is equipped with regenerative braking.

Figure 13 shows the values of $E_{auxiliary}$, $E_{network}$ and $E_{auxiliary}$ related to the total energy consumed by the trolleybus during running in individual supply sections. Fig 14 and 15 present the relation between the average number of the vehicles on the individual supply sections and the values $E_{network}$ and $E_{storage}$ referred to $E_{recovery}$.

It can be noticed that the load flow of the recovered energy strictly depends on the density of traffic on the supply sections. In case of the supply sections with high traffic intensity (“Wiejska”, “Gazownia I” and “IV”, “Kcyńska”, “Kcyńska Wiejska”, “Gazownia Wiejska”), the main part of the recuperated energy was absorbed by other vehicles which were running on the supply sections (Fig. 14). A large number of vehicles increases the probability of energy reception by other vehicles. On the other hand, when the intensity of traffic is small



(“Gazownia II”, “III” and “V”), supercapacitors store a significant part of the recuperated energy. The auxiliary receivers take 3.5–11% of the recovered energy, the amount of consumption mainly depends not on the traffic condition, but on the weather (heating and air-conditioning in vehicles).

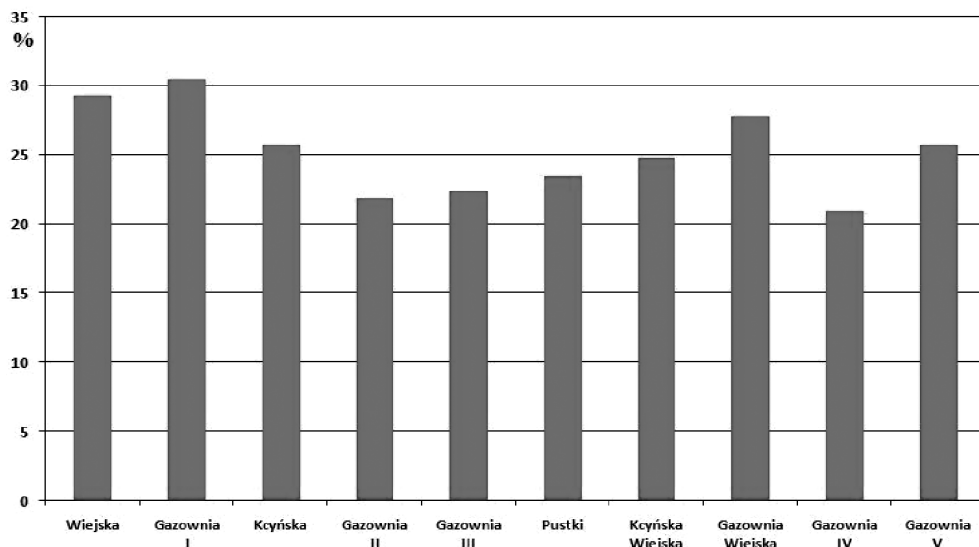


Fig. 11. The relative amount of energy recovered $E_{\text{recovered}}$ in trolleybuses equipped with the system of recuperation breaking

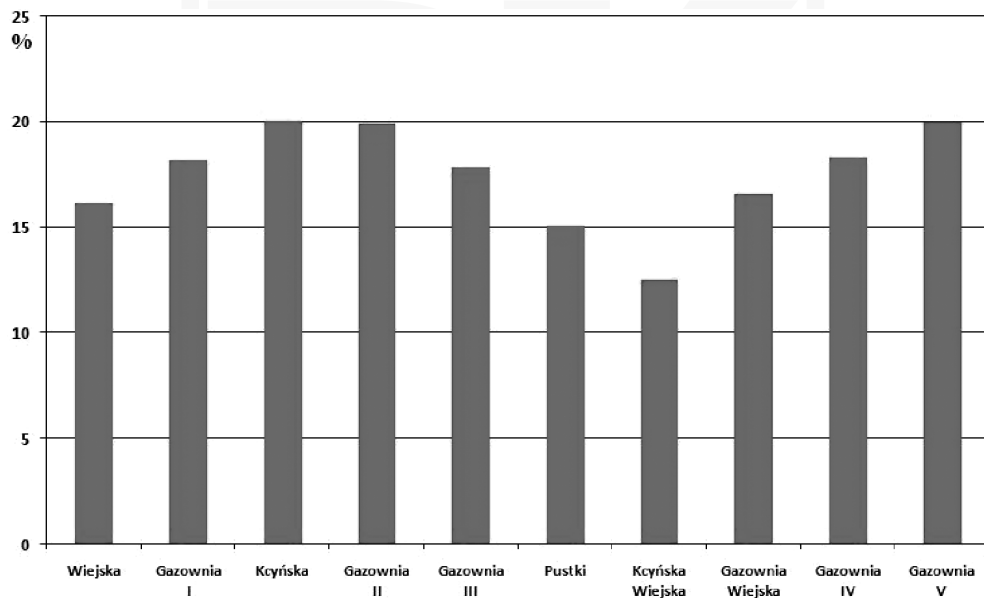


Fig. 12. The relative amount of recovered energy in all scale of supply section



The relation between density of traffic and the relative amount of recovered energy absorbed by other vehicles $E_{network}$ and saved by supercapacitor storage $E_{storage}$ is presented in Fig. 14 and 15. It is easily seen that high traffic intensity conduct flow of regenerated energy on the way vehicle – vehicle, low traffic intensity conduct flow of regenerated energy on the way vehicle – supercapacitor.

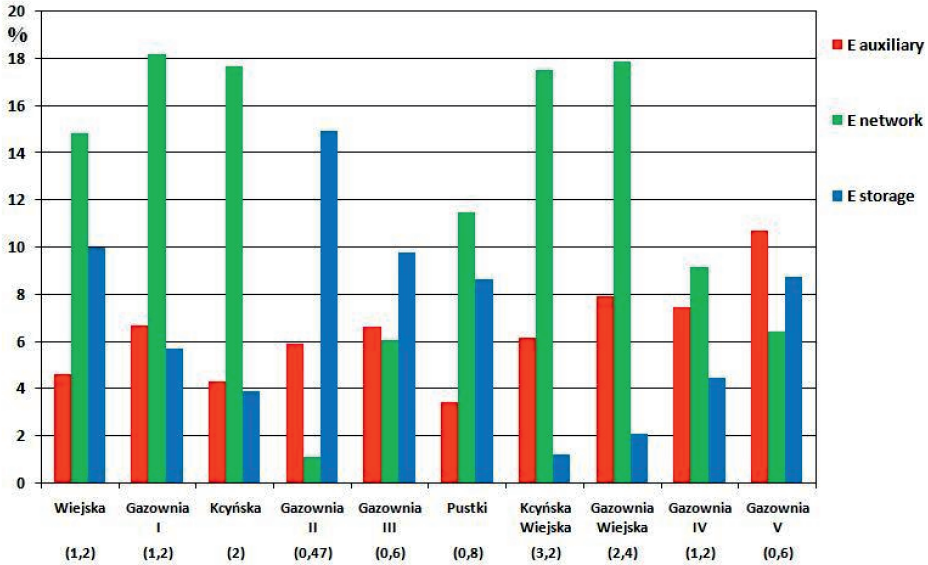


Fig. 13. The relatively amount of recovered in all scale of supply section – the average number of the vehicles on the supply sections is presented in the brackets

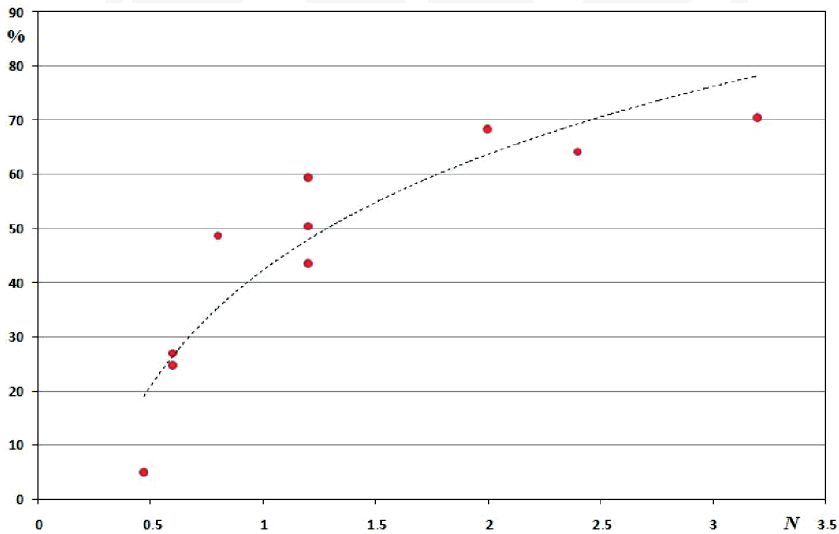


Fig. 14. Relation between the average number N of the vehicles on the individual supply sections and the value $E_{network}$ referred to $E_{recovery}$



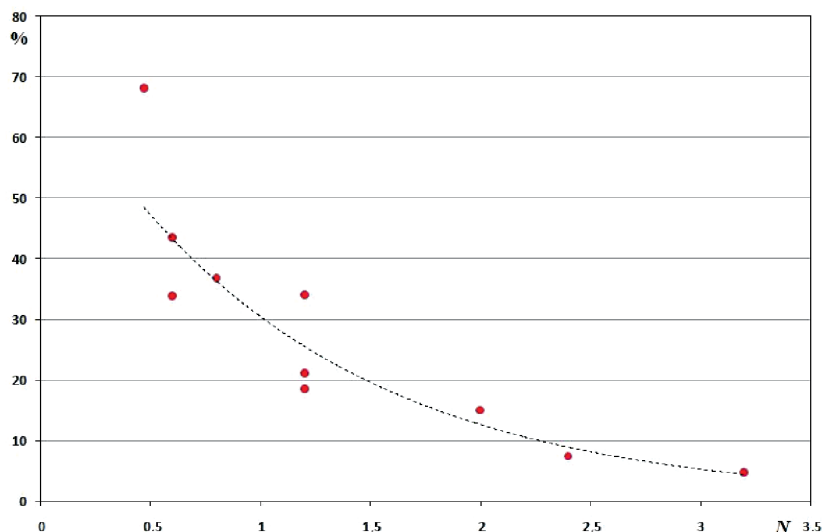


Fig. 15. Relation between the average number N of the vehicles on the individual supply sections and the value $E_{storage}$ referred to $E_{recovery}$

6. Conclusions

Recuperation allows for significant savings of electricity consumption – up to 35%. The use of energy storage in the analysed case resulted in a further decrease of the energy consumption by 15%. It should be noted that the energy savings resulting from the use of supercapacitor storage depend strongly on the operating conditions. In Gdynia, only 50% of all trolleybuses are equipped with a regenerative braking system. In the future, the number of vehicles with recuperation will rise, and as a result, the savings related to the introduction of the storage system will be significantly bigger. Moreover, installing a supercapacitor system in a hilly area will bring significantly larger energy savings.

The fact that regenerative braking energy can be consumed by other vehicles is often underestimated. Therefore, the expected effect of a installing supercapacitor system to store the braking energy is overrated. Many countries, especially in Eastern and Central Europe, have a centralised power supply system with extensive areas of power supply and a large number of vehicles in motion. It can be concluded that, under these conditions, the benefits of installing the storages will be negligible. In many cases, the possibility of energy flow between vehicles can be increased by reconfiguration of the supply system, e.g. introducing a bilateral supply system, which increases the area of galvanic connected supply sectors, and as a result, increases the number of vehicles in traffic, which can exchange recuperated energy.

The potential energy savings may be achieved in the area of auxiliary systems in \ vehicle. Although, as shown by the measurements, the usage of recuperated energy is slight, it can be increased by improving the management system of the auxiliary receiver, for example, by using the recovered energy for heating the vehicle's interior.

References

- [1] Foiadelli F., Roscia M., Zaninelli D., *Optimization of storage devices for regenerative braking energy in subway systems*, IEEE Power Engineering Society General Meeting, 2006.
- [2] Falvoa M.C., Lamedica R., Bartoni R., Maranzano G., *Energy management in metro-transit systems: An innovative proposal toward an integrated and sustainable urban mobility system including plug-in electric vehicles*, "Electric Power Systems Research", Vol. 81, 2011, pp. 2127–2138.
- [3] Scarpellini S., Valero A., Llera E., Aranda A., *Multicriteria analysis for the assessment of energy innovations in the transport sector*, "Energy", Vol. 57, 2013, pp. 160–168.
- [4] Iannuzzi D., Ciccarelli F., Lauria D., *Stationary ultracapacitors storage device for improving energy saving and voltage profile of light transportation networks*, "Transportation Research Part C", Vol. 21, 2012, pp. 321–337.
- [5] Mastragostino M., Soavi F., *Strategies for high-performance supercapacitors for HEV*, "Journal of Power Sources", Vol. 174, 2007, pp. 89–93.
- [6] Thounthonga P., Raël S., Davat B., *Energy management of fuel cell/battery/supercapacitor hybrid power source for vehicle applications*, "Journal of Power Sources", Vol. 193, pp. 376–385 (2009)
- [7] Faggioli E., Rena P., Danel V., Andrieu X., Mallant R., Kahlen H., *Supercapacitors for the energy management of electric vehicles*, "Journal of Power Sources", Vol. 84, 1999, pp. 261–269.
- [8] García P., Torreglosa J.P., Fernández L.M., Jurado F., *Control strategies for high-power electric vehicles powered by hydrogen fuel cell, battery and supercapacitor*, "Expert Systems with Applications", Vol. 40, 2013, pp. 4791–4804.
- [9] Lei W., Zhigang L., Gang Z., Lijun D., *A novel traction power supply system for urban rail transportation*, IEEE Vehicle Power and Propulsion Conference September 3–5, Harbin, China 2008, pp. 1–5.
- [10] Di Y., Lo K.L., Xiaodong W., Xiaobao W., *MRTS traction power supply system simulation using Matlab/Simulink*, IEEE 55th Vehicular Technology Conference, VTC, Vol. 1, Spring 2002, pp. 308–312.
- [11] Hung-Yuan K., Chen T.H., *Simulation of daily load curves at traction substations along an electric railway*, IEEE Conference Energy Management and Power Delivery, Vol. 2, 1998, pp. 708–713.
- [12] Hui-Jen Ch., Chao-Shun Ch., Chia-Hung L., Jun-Yu Ch., Chin-Yin H., *Optimal Expansion Planning of Traction Substations for an Electrified Mass Rapid Transit System*, IEEE Conference Power System Technology, 2006, pp. 1–7.
- [13] Szelağ A., *Zagadnienia analizy i projektowania systemu trakcji elektrycznej prądu stałego zastosowaniem technik modelowania i symulacji*, Politechnika Warszawska, Warszawa 2002.
- [14] Bartłomiejczyk M., Giętkowski Z., Сравнительный анализ токов на грузки в контроле йбусной тяге. Современный научный вестник, Belgorod 2008.
- [15] Łazarz B., Madej H., Wilk A., Figlus T., Wojnar G., *Diagnozowanie złożonych przypadków uszkodzeń przekładni zębatych*, Wydawnictwo Instytutu Technologii Eksploatacji Państwowego Instytutu Badawczego, Katowice–Radom 2006.
- [16] Ringdorfer M., Horn M., *Development of a wheel slip actuator controller for electric vehicles using energy recuperation and hydraulic brake control*, Control Applications (CCA), IEEE International Conference, 28–30 Sept. 2011, pp. 313–318.

- [17] Zhongming Ye, Pong M.H., Lo W.C., Yuen K.H., *Harmonic evaluation of traction system by Monte Carlo simulation*, Power Electronics Specialists Conference, PESC 99, 30th Annual IEEE, Vol. 1, 1999, pp. 424–429.
- [18] Goia C., Popa L., Popescu C., Popescu M.O., *Supercapacitors used as an energy source to drive the short urban electric vehicles*, Advanced Topics in Electrical Engineering (ATEE), 2011 7th International Symposium, 12–14 May 2011, pp. 1–6.
- [19] Hammar A., Venet P., Lallemand R., Coquery G., Rojat G., *Study of Accelerated Aging of Supercapacitors for Transport Applications*, Industrial Electronics, IEEE Transactions, Vol. 57, No. 12, 2010, pp. 3972–3979.
- [20] Lhomme W., Delarue P., Barrade P., Bouscayrol A., Rufer A., *Design and Control of a supercapacitor storage system for traction applications*, Industry Applications Conference, Fourtieth IAS Annual Meeting, Conference Record of the 2005, Vol. 3, 2–6 Oct. 2005, pp. 2013–2020.
- [21] Uemura W., *About Q-values of Monte Carlo method*, SICE Annual Conference, 20–22 Aug. 2008, pp. 2035–2038.
- [22] Drażek Z., *Symulacyjna metoda analizy systemów zasilania elektrycznej trakcji miejskiej prądu stałego*, rozprawa doktorska, Politechnika Warszawska, Warszawa 1998.
- [23] Gołaszewski T., *Obliczenia obciążeń układu zasilania sieci tramwajowej przy wykorzystaniu metody Monte Carlo*, praca dyplomowa, Politechnika Warszawska, Warszawa 2000.
- [24] Bartłomiejczyk M., *Výpočet napájení trolejbusových systémů metodou Monte Carlo*, XLII, Sešit Katedry Elektrotechniky, VŠB Ostrava, Ostrava 2010.
- [25] Bartłomiejczyk M., *Analýza efektivity rekuperace trolejbusové dopravy metodou Monte Carlo*, XLIII, Sešit Katedry Elektrotechniky, VŠB Ostrava, Ostrava 2010.
- [26] Ho T.K., *Probabilistic load flow in AC electrified railways*, IEE Proc – Electr. Power Appl, Vol. 152, No. 4, July 2005.
- [27] Krocak M., *Symulacja zelektryfikowanej linii kolejowej o złożonej strukturze zasilających*, rozprawa doktorska, Politechnika Warszawska, Warszawa 2008.
- [28] Wilk A., Madej H., Figlus T., *Analysis of the possibility to reduce vibroactivity of the gearbox housing*, “Maintenance and reliability”, No. 2, 2011.
- [29] Korenčiak D., Gutten M., *Opportunities for integration of modern systems into control processes in intelligent buildings*, “Przegląd Elektrotechniczny”, Vol. 88, No. 2, 2012.
- [30] Šebök M., Gutten M., Kučera M., *Diagnostics of electric equipments by means of thermovision*, “Przegląd Elektrotechniczny”, Vol. 87, No. 10, 2011.
- [31] Zieliński R., *Metody Monte Carlo*, WNT, Warszawa 1970.
- [32] Judek S., Skibicki J., *Wyznaczanie parametrów elektrycznych trakcyjnego układu zasilania dla złożonych warunków ruchu przy wykorzystaniu programu pspice*, “Przegląd Elektrotechniczny”, No. 12, 2009, pp. 270–273.
- [33] Thounthong P., Raël S., Davat B., *Energy management of fuel cell/battery/supercapacitor hybrid power source for vehicle applications*, Expert Systems with Applications, “Journal of Power Sources”, Vol. 193, 2009.
- [34] Kühne R., *Electric buses - An energy efficient urban transportation means*, “Energy”, Vol. 35, 2010, pp. 4510–4513.
- [35] Kliucininkas L., Matulevicius J., *Comparative Analysis of Bus and Trolleybus Related GHGs Emissions and Costs in Lithuania*, 5th International Vilnius Conference EURO Mini Conference, 30 September – 3 October, Vilnius 2009, pp. 187–191.



- [36] Günselmann W., *Technologies for Increased Energy Efficiency in Railway Systems*, Conference EPE, Dresden 2005, pp. 1–10.
- [37] Barrero R., Mierlo J.V., Tackoen X., *Energy savings in public transport*, IEEE Vehicular Technology Magazine, September 2008, pp. 26–36.
- [38] Donno M., Ferrari A., Scarpelli A., Perlo P., Bocca A., *Mechatronic System for Energy Efficiency in Bus Transport*, IEEE Conference Publications, 2012, pp. 342–343.
- [39] Destraz B., Barrade P., Rufer A., Klohr M., *Study and simulation of the energy balance of an urban transportation network*, European Conf. Power Electronics and Applications, Aalborg 2007.
- [40] Barrero R., Tackoen X., Mierlo J.V., *Improving energy efficiency in public transport: stationary supercapacitor based energy storage systems for a metro Network*, IEEE Vehicle Power and Propulsion Conference (VPPC), 3–5 September, Harbin, China 2008.
- [41] Figlus T., Wilk A., Gawron A., *Wpływ uczestników ruchu drogowego na stan bezpieczeństwa ruchu na obszarze miasta*, “Transport Problems Journal”, 2014, pp. 181–194.

