

Possibilities of Increasing the Overall Efficiency of Gas-Steam CHP Microplant

Authors

Marian Piwowarski
 Tomasz Kwaśniewski

Keywords

micro power plant, gas-steam cycle, low-boiling point fluid, gas microturbine, steam microturbine

Abstract

The paper presents ways to increase the efficiency of a gas-steam micro power plant by modifying the cycle combination. The modification consists in partial release of the fluid downstream of the gas turbine and using it for ORC fluid overheating and evaporation. Advantages of this solution over the simplest gas and steam cycles' combination are demonstrated.

DOI: 10.12736/issn.2300-3022.2018207

Received: 30.06.2017

Accepted: 4.07.2017

Available online: 8.02.2019

Introduction

The Polish energy sector is facing great challenges that are being considered in many different aspects. First of all, it results from the advanced age of Polish power units. The existing ones must meet the increasingly stringent emission standards for toxic compounds. On the other hand, for economic reasons it is necessary to strive for improvement of energy efficiency. To this end, decision-makers make special efforts to improve the utilisation of fuel's primary energy, which is expressed through lower fuel consumption per unit of power and lower emissions to the environment of harmful compounds per unit of installed capacity.

Existing micro-cogeneration technologies

Currently, two main trends are observed in the Polish power industry: intensive development of RES (Renewable Energy Source) based technologies and high-efficiency distributed generation (very often in cogeneration). Now, there are more and more solutions enabling the micro and mini scale electricity generation (mCHP – micro Combined Heat and Power). They allow for partial or even total energy independence with regard to heat and electricity supplies for buildings [7]. Relatively most advanced are solutions based on internal combustion engines. Also, other technologies have been developed to various extents, such as: ORC microturbines, gas micro-turbines, fuel cells, and Stirling engines. Gas microturbines are used less frequently than reciprocating internal combustion engine-based co-generators, although they have several advantages: compact and simple design – usually there is only one moving

element, better turbine power-to-mass ratio, quieter operation, and lower exhaust toxicity. The last feature is due to, inter alia, the fuel quality, most often better in gas turbines. Both machines' efficiencies are comparable, while the engines, due to their well-known and proven design, are characterized by lower capital expenditures.

This article focuses on the combined gas and steam cycle-based technology, which can be classified in the distributed generation group. The basis of the system is a gas turbine set with assumed installed electrical power capacity 30 kW. A steam turbine set was attached to it. Calculations were made to obtain the highest efficiency of the micro-plant, in which output energy flows were obtained in the form of electric power and thermal power.

Gas cycle analysis

For the calculations the Microsoft Excel spreadsheet was used on the basis of dependencies from [8]. The thermodynamic parameters were obtained using the Refprop 9 program [10]. The reference cycle for the gas turbine set (gas turbine) was the Brayton cycle, which consists of four transformations: two isobars and two adiabats [5]. Adopted for the calculations was a realigned model of an open-cycle turbine that includes the throttle losses and compression and expansion processes' irreversibility. Fig. 1 and 2 show illustrations of a simple gas cycle.

With a view to the subject of this study, three variants were chosen (Fig. 3–5), with exhaust gas heat recovery (regeneration), because they feature a clearly higher cycle efficiency [1, 3, 4], and lower static pressures.

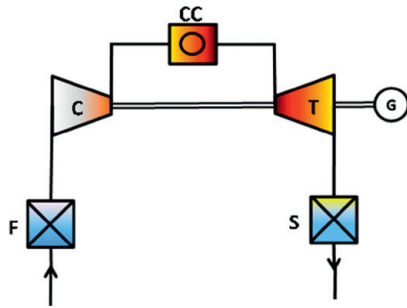


Fig. 1. Gas microturbine cycle i-s chart (F – filter, C – compressor, CC – combustion chamber, T – turbine, G – generator, S – silencer)

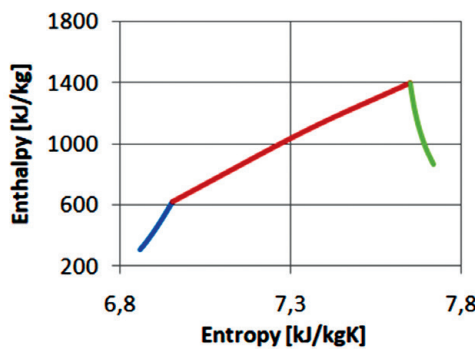


Fig. 2. Gas microturbine circuit diagram

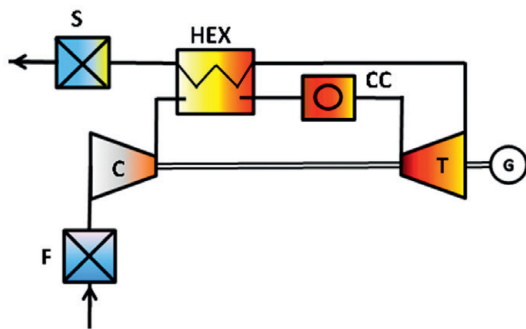


Fig. 3. Turbine set variant 1, HEX – heat exchanger

In the first variant, the exhaust fumes leaving the turbine preheat the compressed air fed to the combustion chamber. In the second case, the combustion chamber is downstream of the turbine. The exhaust fumes preheat the compressed air to a temperature pre-set based on the turbine operational specification and the respective exchanger design. Thus, clean, hot air expands in the turbine. The internal efficiencies were assumed 0.85 for the compressor and turbine alike. It was assumed that throttle losses occur at the filter, in the combustion chamber, in the heat exchanger on the flue gas side and on the air side, and at on the silencer. Their relative values are, respectively: 0,005, 0,02, 0,01, 0,01, and 0,005. Other assumptions were the ambient temperature 15°C and the turbine inlet temperature 900°C, whereas the calorific value of fuel was assumed at $W_d = 35,000$ kJ/kg [2]. The

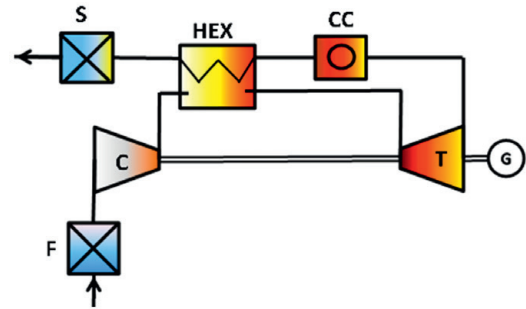


Fig. 4. Turbine set variant 2 [1, 3, 5]

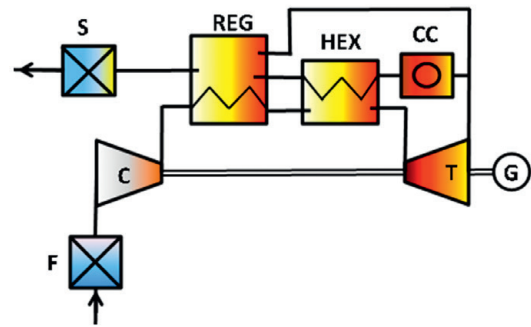


Fig. 5. Turbine set variant 3 (with bypass), REG – regenerator [4]

Gas turbine variant	Variant 1	Variant 2	Variant 3
Mass fuel flow [kg/s]	0.0034	0.0036	0.0031
Optimum head	3.25	3.0	3.5
Compressor power [kW]	39.36	39.07	35.88
Turbine inlet temperature [C]	900	900	900
Turbine set outlet temperature [°C]	160.90	150.15	149.15
Mass exhaust gas flow [kg/s]	0.287	0.310	0.268
Turbine power [kW]	82.423	82.081	71.889
Net turbine set power [kW]	30	30	30
Maximum turbine set efficiency	0.25	0.237	0.278

Tab. 1. Basic gas turbine cycle parameters for the analysed variants

results of the gas turbine cycle variants' analysis were the starting point for the calculation of the steam section, as presented in Tab. 1.

Steam section analysis

Further on three variants were analysed of the gas and steam cycles' combination (Fig. 6–8). Due to the low temperatures [6], as well as small flue gas mass flow rates, and due to their beneficial physical properties, low boiling point fluids were used in the steam section. The first variant (Fig. 6) is based on a turbine set with regeneration. In the steam section, supercooling was used of the fluid vapour at the turbine outlet. Depending on the fluid, the flue gas temperature can be over 100°C, therefore the exhaust heat can potentially be used to preheat process water

or for heating purposes. It was also assumed that the minimum exhaust gas outlet temperature can not be lower than 65°C. It

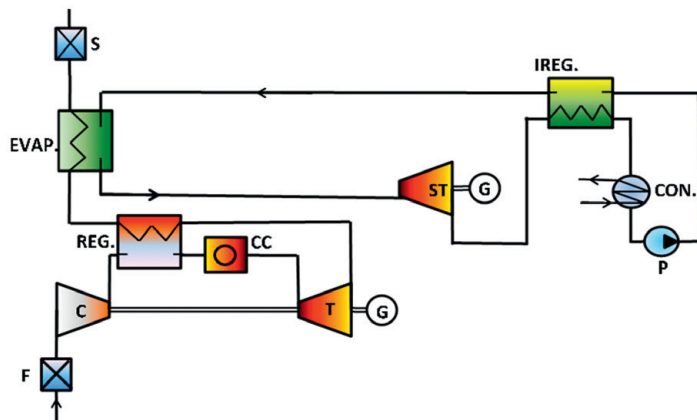


Fig. 6. Microplant diagram – variant 1 (REG. – regenerator, EVAP. – evaporator, TP – steam turbine, CON. – condenser, P – pump, IREG. – internal regeneration)

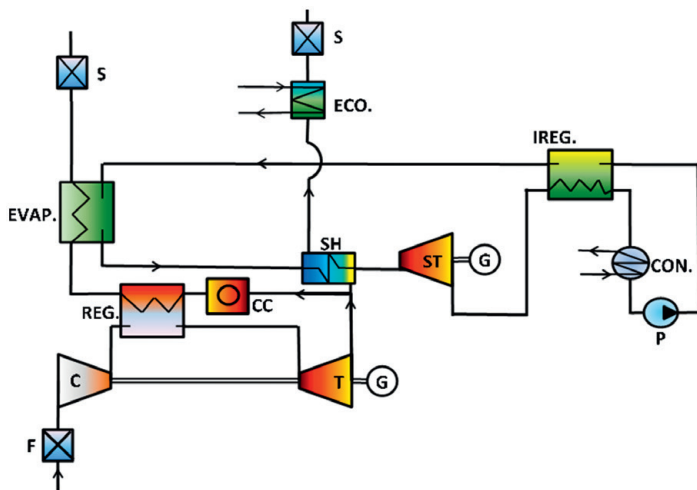


Fig. 7. Microplant diagram – variant 2 (ECO. – economiser, SH – superheater)

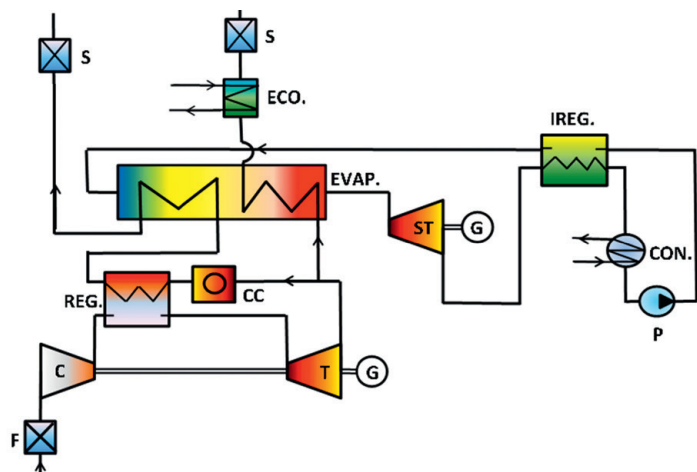


Fig. 8. Microplant diagram – variant 3

should be noted that an increase in the exhaust gas temperature reduces the cycle's overall efficiency. The source of heat for heating purposes and/or for hot domestic water is the condenser in the ORC circuit. Variants 2 (Fig. 7) and 3 (Fig. 8) are based on the cycle with an air turbine. They intake the air from the turbine outlet, which is used for overheating (variant 2 – Fig. 7) or for ORC fluid evaporation (variant 3 – Fig. 8). The mass flow rate of the released air is approximately 0.035 of the total flow. In both cases, the air at the microplant outlet is cooled by an economiser. In variant 3 (Fig. 8), the ORC fluid is not overheated. At the same heat flux transferred to the fluid, the enthalpy increment is lower, so the mass flow rate increases.

This is important because the mass flow at the gas part's adopted specification is small. Therefore, the lack of overheating positively affects the steam turbine's geometric dimensions, i.e. its blades will be longer [9].

18 fluids in the steam part were analysed, including water and low-boiling point fluids. Most of them are so-called wet fluids. Expansion in their case ends in the superheated steam area, hence the need for supercooling as part of internal regeneration. On the other hand, the heat recovery element provides a significant efficiency gain [7, 8].

Steam turbine's (net) electric power N_{elTP} was defined as:

$$N_{elTP} = N_{TP} - N_p \text{ [kW]} \quad (1)$$

N_{TP} and N_p are, respectively, steam turbine's (gross) electric power and the power to drive the pumps, which are denoted by formulas (2) and (3):

$$N_{TP} = m_{czn} \cdot l_{TP} \cdot \eta_{elTP} \quad (2)$$

$$N_p = m_{czn} \cdot l_p \cdot \eta_p \quad (3)$$

where: m_{czn} – mass flow rate of working fluid, l_{TP} – actual fluid enthalpy decrease in turbine, η_{elTP} – electrical efficiency of generator, l_p – actual fluid enthalpy increase in pump, η_p – pump efficiency.

The microplant's thermal power equals to:

$$Q_c = Q_{skr} + Q_{WC} \text{ [kW]} \quad (4)$$

Q_{skr} – thermal power of condenser, Q_{WC} – thermal power of partial exhaust cooling exchanger.

The microplant's overall efficiency:

$$\eta_{og} = \frac{N_{elTP} + N_{elTG} + Q_c}{E_{chem, pal}} [-] \quad (5)$$

where:

N_{elTG} – electric power of gas turbine, 30 kW in each variant. "Temperature-specific entropy" charts of the cycles in all variants are shown in Fig. 9.

For the energy consumers, the microplant's most important outputs are the output streams of electricity and heat. The steam part calculations results are presented in Tab. 2. Of course, in each variants the gas part produces 30 kW of electricity.

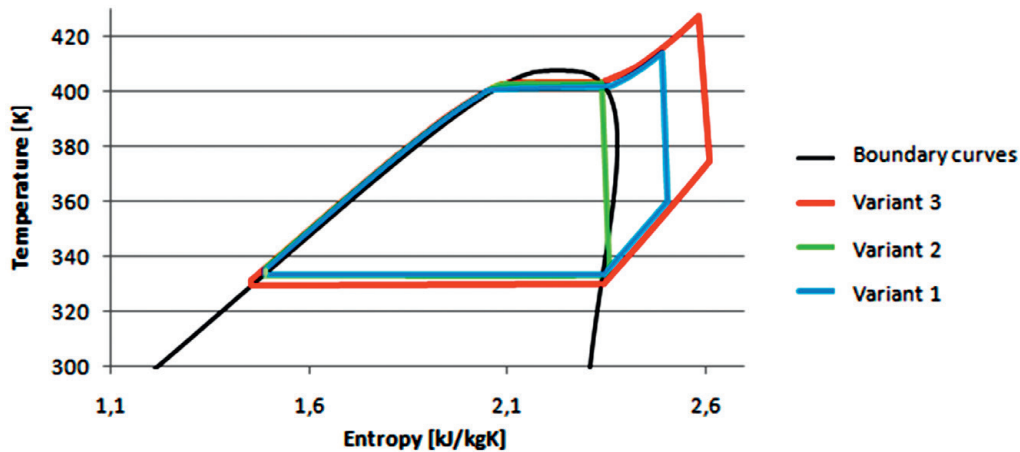


Fig. 9. Cycle variants' temperature – specific entropy graphs against the boundary curve background (for isobutane)

	Variant 1 (Fig. 6)			Variant 2 (Fig. 7)			Variant 3 (Fig. 8)		
	Q_c [kW]	N_{el} [kW]	η_{og} [-]	Q_c [kW]	N_{el} [kW]	η_{og} [-]	Q_c [kW]	N_{el} [kW]	η_{og} [-]
acetone	5.867	0.905	0.307	11.370	1.460	0.338	14.347	1.725	0.364
ammonia	5.747	0.864	0.305	18.105	2.095	0.396	30.47	3.130	0.502
cyclohexane	5.756	1.002	0.307	6.833	1.348	0.301	3.553	2.074	0.281
dimethyl ether	18.082	2.235	0.420	29.350	3.892	0.499	–	–	–
isobutane	15.632	2.128	0.398	16.757	2.400	0.388	38.819	3.312	0.569
methanol	4.998	0.829	0.299	6.853	1.892	0.306	11.614	1.597	0.341
methylcyclohexane	5.612	0.988	0.305	6.726	1.301	0.300	4.093	1.718	0.283
toluene	5.475	0.956	0.304	6.590	1.388	0.300	2.774	1.690	0.272
water	4.471	0.777	0.294	6.226	1.661	0.299	10.218	1.518	0.329
R1234yf	18.677	1.754	0.421	20.928	2.376	0.421	–	–	–
R1234ze	19.124	2.158	0.428	25.489	2.980	0.461	–	–	–
R134a	20.029	2.064	0.434	26.146	2.828	0.465	–	–	–
R141b	6.638	0.971	0.314	7.390	1.410	0.306	18.574	1.791	0.397
R227ea	17.866	1.814	0.414	23.616	2.470	0.443	–	–	–
R236fa	18.111	2.303	0.420	27.830	3.878	0.487	–	–	–
R245fa	10.739	1.364	0.351	9.833	1.577	0.327	8.638	2.253	0.323
R365mfc	7.243	1.173	0.320	7.912	1.318	0.310	8.181	2.337	0.320
RC318	17.380	2.049	0.412	24.682	2.939	0.455	–	–	–

Q_c – thermal power, N_{el} – electrical power, η_{og} – overall microplant efficiency

Tab. 2. Steam turbine analysis results

Calculations for variant 3 were concluded only for some fluids. In this variant, it is important that the expansion starts at the boundary curve (Fig. 9). Fluids such as dimethyl ether are situated in the superheated steam area of at the assumed upper cycle temperature. Such a fluid, if used, would lower the temperature and thus would significantly reduce the ORC cycle's unit work.

A conspicuous conclusion is that the turbine extraction increases the power output by a few percentage points. In almost all cases variant 2 (Fig. 7) is better than variant 1 in this respect (Fig. 6), while in some cases variant 3 (Fig. 8) may be the best in terms of thermal and electrical power output alike. This is clearly seen in the graphs for two selected working fluids (Fig. 10–11).

In terms of efficiency, the effect is undisputed – the addition of the steam turbine set to the gas turbine set in general significantly increased the microplant's overall efficiency. In most cases

the fluid mass flows were larger in variants 2 (Fig. 7) and 3 (Fig. 8). In variant 3 the mass flow rate m_{cz} almost doubled, as shown in Tab. 3.

Summary

The paper presents a concept for increasing the efficiency of a gas-steam combined cycle micropower plant. The increase in efficiency was obtained through the use of an air gas turbine with a partial air release. This method has not been reported in the literature, and yet it adds a few- or even a dozen percent of efficiency compared to the simplest combined system. The analysed microplants can generate up to 33.3 kW of electricity and up to 40 kW of heat. It's enough to heat 0.6 kg/s flow of hot tap water. It should be emphasized that the analysis presented in the paper is theoretical and the results require further verification.

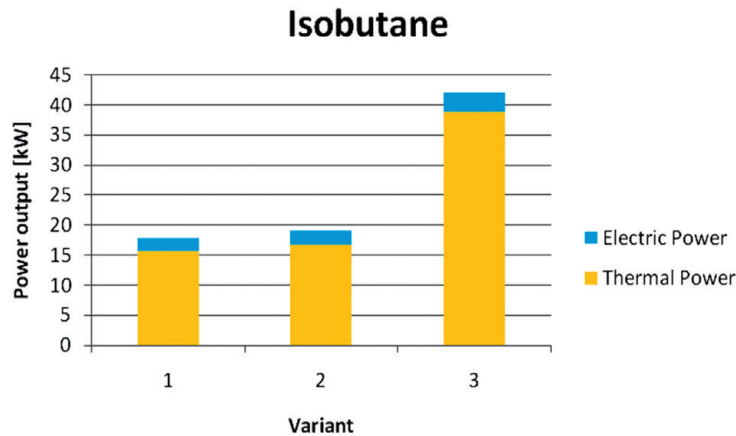


Fig. 10. Steam part output power, for isobutane

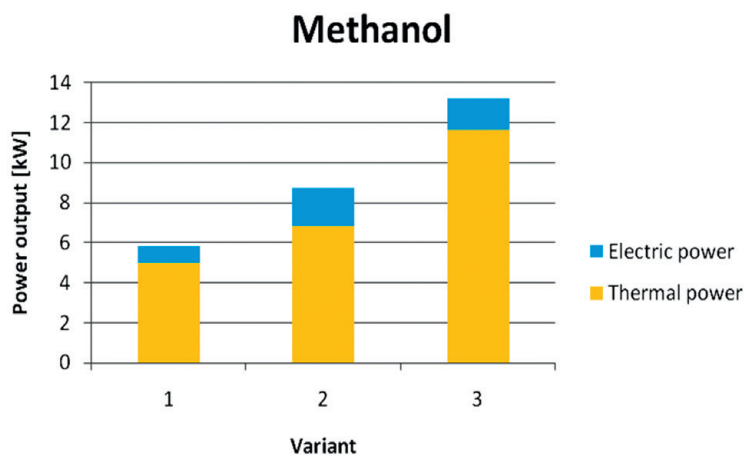


Fig. 11. Steam part output power, for methanol

	Variant 1 (Fig. 6)	Variant 2 (Fig. 7)	Variant 3 (Fig. 8)
Factor	m_{cz} [kg/s]		
acetone	0.012	0.012	0.025
ammonia	0.019	0.020	0.042
cyclohexane	0.015	0.015	0.032
dimethyl ether	0.049	0.072	–
isobutane	0.050	0.051	0.105
methanol	0.005	0.005	0.011
methylcyclo-hexane	0.016	0.016	0.034
toluene	0.013	0.014	0.029
water	0.002	0.002	0.005
R1234yf	0.145	0.151	–
R1234ze	0.126	0.165	–
R134a	0.127	0.163	–
R141b	0.030	0.030	0.062
R227ea	0.176	0.227	–
R236fa	0.134	0.195	–
R245fa	0.059	0.051	0.104
R365mfc	0.038	0.038	0.077
RC318	0.178	0.246	–

Tab. 3. Cycle and fluid combination effect on mass flow

REFERENCES

1. Bronicki L.Y., Externally fired combined cycle gas turbine, Patent US 6167706.
2. Kamiński B., Piwowarski M., "Analiza obiegów kombinowanych gazowo-parowych na czynniki niskotemperaturowe" [Analysis of gas-steam combined cycles for low temperature fluids] [in]: Talar J. Systemy, technologie i urządzenia energetyczne, Vol. 2, Wydawnictwo Politechniki Krakowskiej, Kraków 2010.
3. Klenven O.B., Gas turbine with external combustion, applying a rotating regenerating heat exchanger, Patent US 20110227346 A1, 2011.
4. Kosowski K. et al., "Sposób zwiększenia sprawności obiegu turbiny gazowej z komorą spalania na wypływie czynnika roboczego z turbiny poprzez rozdział strumienia powietrza przed komorą spalania" [A method of increasing the cycle efficiency of a gas turbine with a combustion chamber on the fluid outflow from the turbine by air stream distribution upstream of the combustion chamber], Patent PL221481.
5. Kosowski K., "Steam and Gas Turbines, with examples of Alstrom Technology", Alstrom Power, 2007.

6. Mikielwicz J., Piwowski M., Kosowski K., "Design analysis of turbines for co-generating micro-power plant working in accordance with organic Rankines cycle", Polish Maritime Research, 2009.
7. Mikielwicz J., Mikielwicz D., "Obiegi termodynamiczne ORC mikrośiowni domowej" [ORC thermodynamic cycles of home micro power plant], Wydawnictwo IMP PAN, Gdańsk 2013.
8. Perycz S., "Turbiny parowe i gazowe" [Steam and gas turbines], Wydawnictwo PG, Gdańsk 1988.
9. Piwowski M., "Dobór czynnika roboczego oraz korzystnych wartości podstawowych parametrów projektowych mikroturbiny do przetwarzania energii ze źródeł niskotemperaturowych" [Selection of the working fluid and favorable basic design specification for a microturbine for the conversion of energy from low-temperature sources], Wydawnictwa IMP PAN, Gdańsk 2013.
10. "Computer software Refprop Reference Fluid Thermodynamic and Transport Properties", 9, 2013.

Marian Piwowski

Gdańsk University of Technology

e-mail: marian.piwowski@pg.gda.pl

Graduated in 1996, PhD in engineering sciences in 2002 at the Faculty of Ocean Engineering and Ship Technology at Gdańsk University of Technology. Awarded the degree of doctor habilitatus in engineering sciences of the machinery development and operation in 2014 at the Robert Szwalski Institute of Fluid-Flow Machinery at the Polish Academy of Sciences in Gdańsk. From 1995 to the present employed at Gdańsk University of Technology. Specializes in issues related to the design and engineering of rotor thermal machines, analyses of high-efficiency thermal power plants based on organic fluid cycles and supercritical cycles, analyses of energy storage systems, theoretical and experimental research of gas and steam micro turbine sets. Author and co-author of 9 scientific monographs, 3 chapters in monographs, 13 indexed publications (JCR, ASME), 64 publications reviewed in journals and conference materials, 28 unpublished internal works of Gdańsk University of Technology and the Institute of Fluid-Flow Machinery at the Polish Academy of Sciences in Gdańsk, 22 patent applications including 6 patents granted so far, and 39 design and technological studies.

Tomasz Kwaśniewski

Gdańsk University of Technology

e-mail: tomkwasn@gmail.com

A graduate of the Maria Curie-Skłodowska High School in Tczew. In 2017 awarded the engineer degree in Diagnostics and Exploitation of Power Equipment at the inter-departmental faculty of Energy at Gdańsk University of Technology. He completed his professional internship at Starogard Power Plant sp. z o.o. Now a student of Mechanical Engineering and Machinery Development at the Faculty of Mechanical Engineering of Gdańsk University of Technology (major: Thermo-flow refrigeration and air-conditioning technologies). Specializes in issues related to the design and engineering of rotor thermal machines, analyses of high-efficiency thermal power plants based on organic fluid cycles and supercritical cycles.

This is a supporting translation of the original text published in this issue of "Acta Energetica" on pages 81–86. When referring to the article please refer to the original text.

PL

Możliwości zwiększenia sprawności ogólnej kogeneracyjnej mikrośirowni kombinowanej gazowo-parowej

Autorzy

Marian Piwowski
Tomasz Kwaśniewski

Słowa kluczowe

mikrośirownia, obieg gazowo-parowy, czynnik niskowrzący, mikroturbina gazowa, mikroturbina parowa

Streszczenie

W artykule przedstawiono sposoby zwiększenia sprawności mikrośirowni gazowo-parowej poprzez modyfikację sposobu powiązania obiegów. Modyfikacja polega na zastosowaniu upustu części czynnika zza turbiny gazowej i wykorzystaniu go do przegrzania oraz odparowania czynnika ORC. Wykazano przewagę tego rozwiązania nad najprostszym sposobem powiązania obiegu gazowego z parowym.

Data wpływu do redakcji: 30.06.2017

Data akceptacji artykułu: 4.07.2017

Data publikacji online: 8.02.2019

Wstęp

Polska energetyka stoi w obliczu wielkich wyzwań, które są przedmiotem wielu różnorodnych rozważań. Przede wszystkim wynika to z zaawansowanego wieku polskich bloków energetycznych. Te istniejące muszą spełniać coraz ostrzejsze normy emisji związków toksycznych. Z drugiej strony ze względów ekonomicznych konieczne jest dążenie do poprawy efektywności energetycznej. W tym celu decydenci dokładają szczególnych starań w celu poprawy wykorzystania energii pierwotnej paliwa, co wyraża się poprzez mniejsze zużycie paliwa przypadające na jednostkę mocy oraz mniejszą emisję do otoczenia związków szkodliwych przypadających na jednostkę mocy zainstalowanej.

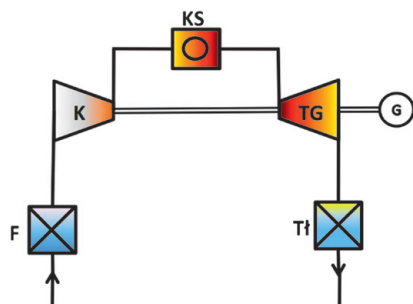
Istniejące technologie w mikrokogeneracji
Obecnie obserwuje się dwa główne trendy w polskiej energetyce: intensywny rozwój źródeł technologii opartych na OZE (odnawialne źródła energii) oraz wysokosprawna energetyka rozproszona (bardzo często produkcja energii elektrycznej zachodzi w kogeneracji). Obecnie pojawia się coraz więcej rozwiązań umożliwiających

produkcję energii elektrycznej w skali mikro i mini (*micro Combined Heat and Power*, mCHP – skojarzona produkcja energii elektrycznej i ciepła w skali mikro). Pozwalają one na częściową lub nawet całkowitą niezależność energetyczną w zakresie ciepła i energii elektrycznej dla budynku [7]. Stosunkowo najlepiej rozwiniętą technologią są rozwiązania oparte na silnikach spalinowych. Na różnym stopniu rozwoju znajdują się również inne technologie, takie jak: mikroturbiny ORC, mikroturbiny gazowe, ogniwa paliwowe czy silniki Stirlinga. Mikroturbiny gazowe są stosowane rzadziej niż kogeneratory oparte na silnikach spalinowych tłokowych, chociaż na korzyść turbin przemawiają następujące aspekty: kompaktowa i prosta budowa (zazwyczaj występuje tylko jeden element ruchomy), lepszy stosunek generowanej mocy do masy turbiny, cichsza praca, a także mniejsza toksyczność spalin. Ta ostatnia cecha wynika m.in. z jakości spalanego paliwa: najczęściej lepszej jakości w turbinach gazowych. Sprawności obu maszyn są porównywalne, natomiast silniki ze względu na dobrze znaną i sprawdzoną konstrukcję charakteryzują się niższymi nakładami inwestycyjnymi.

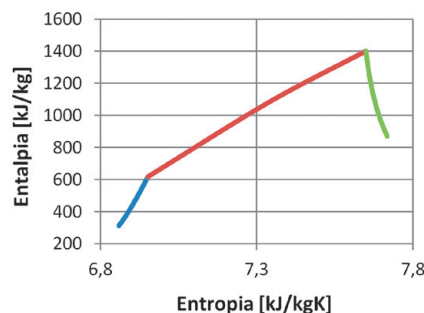
W niniejszym artykule skupiono się na technologii opartej na obiegu kombinowanym gazowo-parowym, który można sklasyfikować jako przedstawiciela grupy energetyki rozproszonej. Podstawą układu jest turbozespół gazowy o założonej mocy elektrycznej 30 kW. Do niego dołączono turbozespół parowy. Przeprowadzono obliczenia mające na celu uzyskanie jak najwyższej sprawności mikrośirowni, w której uzyskano strumienie energii użytecznej w postaci mocy elektrycznej oraz mocy cieplnej.

Analiza obiegu gazowego

Do obliczeń wykorzystano program Microsoft Excel, opierając się na zależnościach podanych w pracy [8]. Natomiast parametry termodynamiczne uzyskano za pomocą programu Refprop 9 [10]. Obiegiem porównawczym dla turbozespołu gazowego (turbiny gazowej) jest obieg Braytona, który składa się z czterech przemian: dwóch izobar i dwóch adiabat [5]. W obliczeniach przyjęto urealnioy model turbiny z obiegiem otwartym, uwzględniającym straty dławienia oraz nieodwracalność procesów sprężania oraz ekspansji. Na rys. 1 i 2 przedstawiono ilustracje obiegu gazowego prostego.



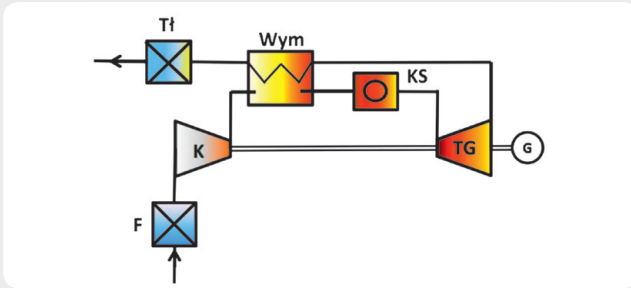
Rys. 1. Schemat obiegu mikroturbiny gazowej (F – filtr, K – sprężarka, KS – komora spalania, TG – turbina, G – generator, Tł – tłumik)



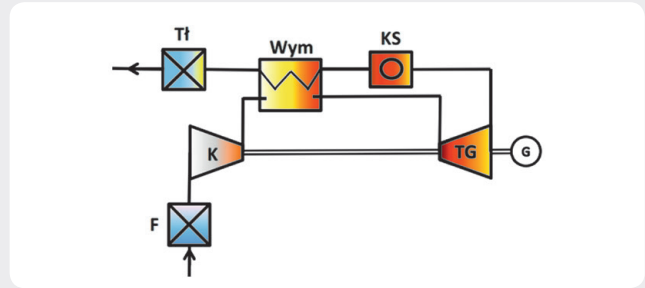
Rys. 2. Obieg mikroturbiny gazowej na wykresie i-s

This is a supporting translation of the original text published in this issue of "Acta Energetica" on pages 81–86. When referring to the article please refer to the original text.

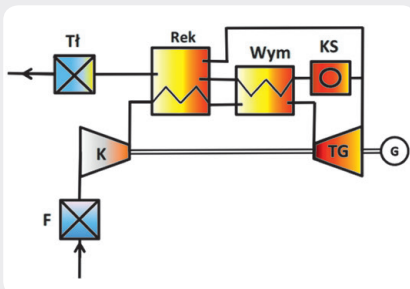
PL



Rys. 3. Wariant 1 turbosespołu, Wym – wymiennik ciepła



Rys. 4. Wariant 2 turbosespołu [5, 1, 3]



Rys. 5. Wariant 3 turbosespołu (z obejściem), Rek – regeneracja [4]

oparty jest na turbospoje z regeneracją. W części parowej zastosowano dochłodzenie pary czynnika opuszczającego turbinę. W zależności od czynnika temperatura spalin może wynosić ponad 100°C, zatem ciepło spalin można potencjalnie wykorzystać do podgrzewania wody użytkowej bądź do celów ogrzewniczych. Jednocześnie przyjęto, że minimalna temperatura spalin opuszczających układ nie może być niższa niż 65°C. Należy zauważyć, iż wzrost temperatury spalin będzie obniżał sprawność ogólną obiegu. Źródłem ciepła do celów ogrzewniczych bądź przygotowania c.w.u. jest skraplacz w obiegu ORC. Warianty 2 (rys. 7) i 3 (rys. 8) bazują na obiegu

z turbiną powietrzną. Zastosowano w nich pobór powietrza opuszczającego turbinę, które służy do przegrzania (wariant 2 – rys. 7) bądź do odparowania czynnika ORC (wariant 3 – rys. 8). Masowe natężenie przepływu upuszczanego powietrza stanowi około 0,035 całkowitego strumienia. W obu przypadkach zastosowano dochłodzenie gorącego powietrza opuszczającego mikrośrodk. Uczyniono to za pomocą wymiennika ciepłowniczego. W wariantcie 3 (rys. 8) czynnik ORC nie ulega przegrzaniu. Przy tym samym strumieniu ciepła przekazywanym do czynnika przyrost entalpii właściwej jest mniejszy, zatem rośnie masowe natężenie przepływu. Jest to istotne,

Z punktu widzenia tematu niniejszego artykułu wybrano trzy warianty (rys. 3–5), w których zachodzi odzysk ciepła spalin (regeneracja), gdyż one charakteryzują się wyraźnie wyższą sprawnością obiegu [1, 3, 4] przy jednocześnie niższych wartościach sprężu.

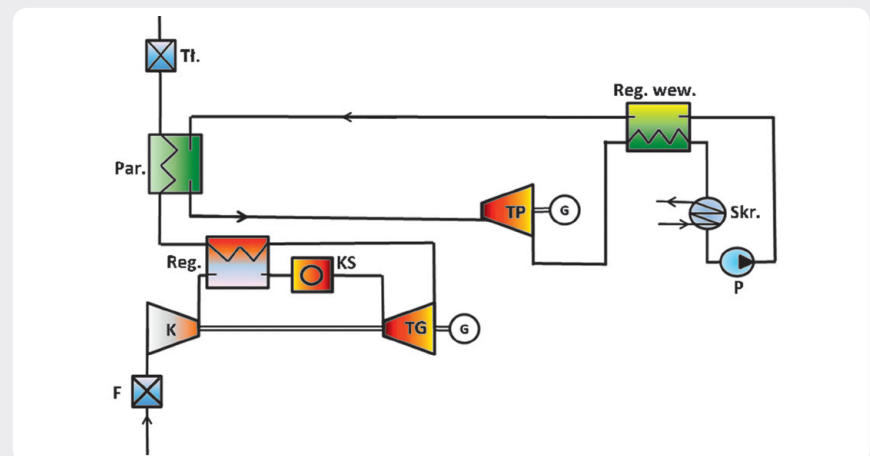
W pierwszym wariantcie spaliny opuszczające turbinę wstępnie podgrzewają sprężone powietrze zasilające komorę spalania. W drugim wariantcie komora spalania znajduje się za turbiną. Spaliny podgrzewają sprężone powietrze do zadanej temperatury wynikającej z parametrów pracy turbiny i odpowiedniej konstrukcji wymiennika. Zatem w turbinie ekspanduje czyste, gorące powietrze. Sprawności wewnętrzne kompresora oraz turbiny przyjęto równe – 0,85 dla obu elementów. Założono, że straty dławienia występują na filtrze, w komorze spalania, w wymienniku ciepła po stronie spalin i po stronie powietrza oraz na tłumiku. Ich względne wartości wynoszą odpowiednio: 0,005, 0,02, 0,01, 0,01 oraz 0,005. Kolejne założenia to temperatura otoczenia wynosząca 15°C, zaś na wlocie do turbiny przyjęto temperaturę 900°C. Natomiast za wartość opałową paliwa przyjęto odpowiednio $W_d = 35\ 000\ \text{kJ/kg}$ [2]. Wyniki analizy wariantów obiegu turbiny gazowej stanowiły punkt wyjścia do obliczeń części parowej, co prezentuje tab. 1.

Analiza części parowej

W dalszej części przeanalizowano trzy warianty powiązań obiegu gazowego z obiegiem parowym (rys. 6–8). Ze względu na niskie temperatury [6], jak również niewielkie masowe natężenia przepływu spalin w części parowej zastosowano, ze względu na korzystne własności fizyczne, czynniki z grupy wrzących w niskich temperaturach. Pierwszy wariant (rys. 6)

Wariant turbiny gazowej	Wariant 1	Wariant 2	Wariant 3
Masowy strumień paliwa [kg/s]	0,0034	0,0036	0,0031
Spręż optymalny	3,25	3,0	3,5
Moc sprężarki [kW]	39,36	39,07	35,88
Temperatura na wlocie do turbiny [C]	900	900	900
Temperatura na wylocie z turbosespołu [°C]	160,90	150,15	149,15
Masowy strumień spalin [kg/s]	0,287	0,310	0,268
Moc turbiny [kW]	82,423	82,081	71,889
Moc turbosespołu netto [kW]	30	30	30
Sprawność maksymalna turbosespołu	0,25	0,237	0,278

Tab. 1. Wykaz podstawowych wartości parametrów obiegu turbiny gazowej dla analizowanych wariantów



Rys. 6. Schemat mikrośrodk – wariant 1 (Reg. – regeneracja, Par. – parownik, TP – turbina parowa, Skr. – skraplacz, P – pompa, Reg. wew. – regeneracja wewnętrzna)

This is a supporting translation of the original text published in this issue of "Acta Energetica" on pages 81–86. When referring to the article please refer to the original text.

PL

gdyż strumień masy przy zadanych parametrach części gazowej jest niewielki. Zatem brak przegrzania jest czynnikiem wpływającym pozytywnie na wymiary geometryczne turbiny parowej, tzn. jej łopatki będą dłuższe [9].

Przeanalizowano 18 czynników części parowej, w tym wodę oraz czynniki z grupy niskowrzących. Większość z nich stanowią tzw. czynniki mokre. Ekspansja w ich przypadku kończy się w obszarze pary przegrzanej, stąd potrzeba dochłodzenia w ramach regeneracji wewnętrznej. Z drugiej strony zastosowanie elementu odzyskującego ciepło stanowi istotny zysk sprawnościowy [7, 8].

Moc elektryczna turbiny parowej (netto) N_{elTP} została zdefiniowana jako:

$$N_{elTP} = N_{TP} - N_p \quad [kW] \quad (1)$$

N_{TP} i N_p to odpowiednio moc elektryczna turbiny parowej (brutto) oraz moc do napędu pomp, które opisane są wzorami (2) i (3):

$$N_{TP} = m_{czn} \cdot l_{TP} \cdot \eta_{elTP} \quad (2)$$

$$N_p = m_{czn} \cdot l_p \cdot \eta_p \quad (3)$$

gdzie: m_{czn} – masowe natężenie przepływu czynnika roboczego, l_{TP} – rzeczywisty spadek entalpii czynnika w turbinie, η_{elTP} – sprawność elektryczna generatora, l_p – rzeczywisty przyrost entalpii czynnika w pompie, η_p – sprawność pompy. Moc cieplna mikrośirowni jest równa:

$$Q_c = Q_{skr} + Q_{WC} \quad [kW] \quad (4)$$

Q_{skr} – moc cieplna skraplacza, Q_{WC} – moc cieplna wymiennika chłodzącego część spalin.

Sprawność ogólna mikrośirowni:

$$\eta_{og} = \frac{N_{elTP} + N_{elTG} + Q_c}{E_{chem, pal}} \quad [-] \quad (5)$$

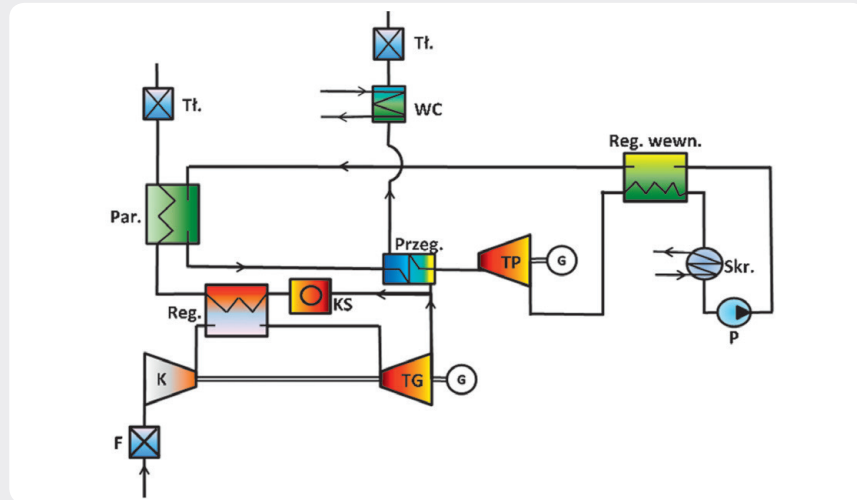
gdzie:

N_{elTG} – moc elektryczna turbiny gazowej, w każdym wariantcie równa 30 kW. Obiegi w układzie „temperatura – entropia właściwa” dla wszystkich wariantów ilustruje rys. 9.

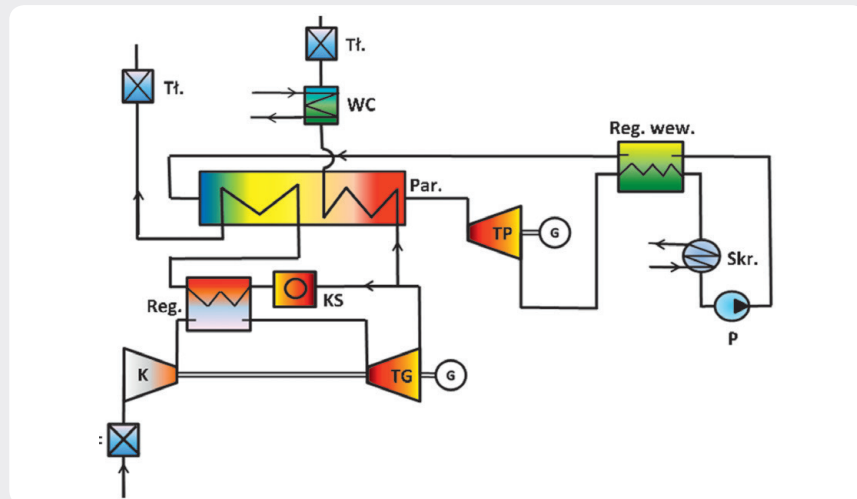
Najbardziej istotne z punktu odbiorcy są efekty pracy mikrośirowni rozumiane jako użyteczne strumienie energii elektrycznej oraz cieplnej. Wyniki obliczeń części parowej przedstawia tab. 2. Oczywiście w każdym z wariantów z części gazowej uzyskuje się 30 kW mocy elektrycznej.

W wariantcie 3 obliczenia przeprowadzono tylko dla części czynników. W tym wariantcie istotny jest fakt, że początek ekspansji leży na krzywej granicznej (rys. 9). Czynniki takie jak np. dimetyloeter znajdują się w obszarze pary przegrzanej przy założonej górnej temperaturze obiegu. Zastosowanie takiego czynnika poprzez obniżenie temperatury spowodowałoby znaczne obniżenie pracy jednostkowej obiegu ORC.

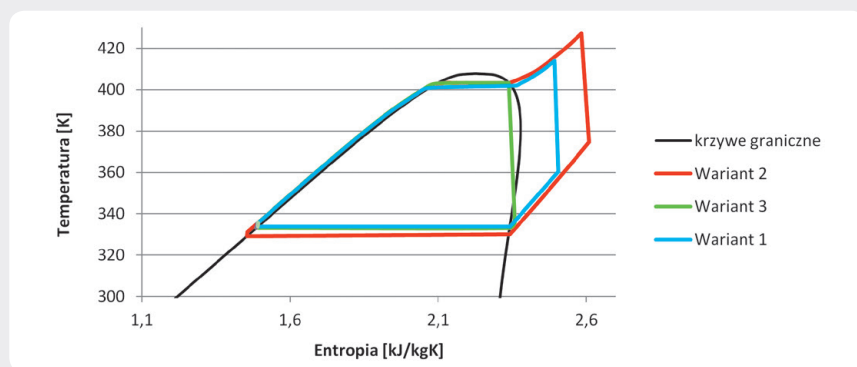
Wnioskiem rzucającym się w oczy jest fakt, iż zastosowanie upustu powoduje wzrost mocy użytecznych o kilka punktów procentowych. Praktycznie we wszystkich przypadkach wariant 2 (rys. 7) jest pod tym względem



Rys. 7. Schemat mikrośirowni – wariant 2 (WC – wymiennik ciepłowniczy)



Rys. 8. Schemat mikrośirowni – wariant 3



Rys. 9. Warianty obiegu na wykresie temperatura – entropia właściwa na tle krzywej granicznej (dla przykładowego czynnika, jakim jest izobutan)

lepszy od wariantu 1 (rys. 6), natomiast w niektórych przypadkach wariant 3 (rys. 8) może być najlepszy zarówno pod względem mocy cieplnej, jak i elektrycznej. Wyraźnie widać to na wykresach dla dwóch wybranych czynników roboczych (rys. 10–11).

Pod względem sprawności efekt jest bezdyskusyjny – nadbudowa turbozespołu gazowego turbiną parową powoduje w ogólnym przypadku znaczne podwyższenie sprawności ogólnej mikrośirowni. Warianty 2 (rys. 7) oraz 3 (rys. 8) zapewniają

This is a supporting translation of the original text published in this issue of "Acta Energetica" on pages 81–86. When referring to the article please refer to the original text.

PL

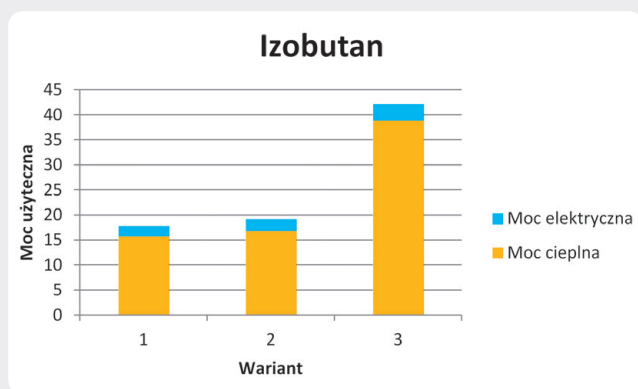
	Wariant 1 (rys. 6)			Wariant 2 (rys. 7)			Wariant 3 (rys. 8)		
	Q_c [kW]	N_{el} [kW]	η_{og} [-]	Q_c [kW]	N_{el} [kW]	η_{og} [-]	Q_c [kW]	N_{el} [kW]	η_{og} [-]
aceton	5,867	0,905	0,307	11,370	1,460	0,338	14,347	1,725	0,364
amoniak	5,747	0,864	0,305	18,105	2,095	0,396	30,47	3,130	0,502
cykloheksan	5,756	1,002	0,307	6,833	1,348	0,301	3,553	2,074	0,281
dimetyloeter	18,082	2,235	0,420	29,350	3,892	0,499	-	-	-
izobutan	15,632	2,128	0,398	16,757	2,400	0,388	38,819	3,312	0,569
metanol	4,998	0,829	0,299	6,853	1,892	0,306	11,614	1,597	0,341
metylocykloheksan	5,612	0,988	0,305	6,726	1,301	0,300	4,093	1,718	0,283
toluen	5,475	0,956	0,304	6,590	1,388	0,300	2,774	1,690	0,272
woda	4,471	0,777	0,294	6,226	1,661	0,299	10,218	1,518	0,329
R1234yf	18,677	1,754	0,421	20,928	2,376	0,421	-	-	-
R1234ze	19,124	2,158	0,428	25,489	2,980	0,461	-	-	-
R134a	20,029	2,064	0,434	26,146	2,828	0,465	-	-	-
R141b	6,638	0,971	0,314	7,390	1,410	0,306	18,574	1,791	0,397
R227ea	17,866	1,814	0,414	23,616	2,470	0,443	-	-	-
R236fa	18,111	2,303	0,420	27,830	3,878	0,487	-	-	-
R245fa	10,739	1,364	0,351	9,833	1,577	0,327	8,638	2,253	0,323
R365mfc	7,243	1,173	0,320	7,912	1,318	0,310	8,181	2,337	0,320
RC318	17,380	2,049	0,412	24,682	2,939	0,455	-	-	-

Q_c – moc cieplna, N_{el} – moc elektryczna, η_{og} – sprawność ogólna mikrośiłowni

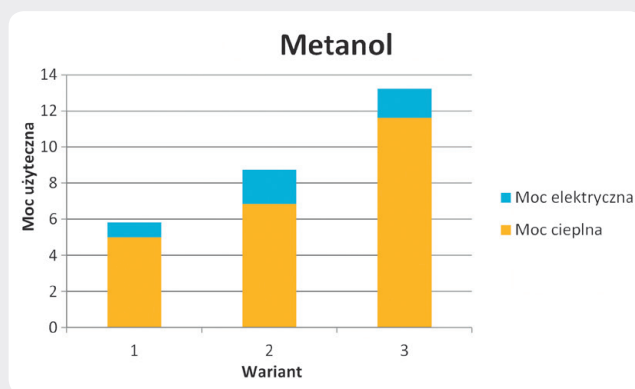
Tab. 2. Wyniki analizy turbiny parowej

	Wariant 1 (rys. 6)	Wariant 2 (rys. 7)	Wariant 3 (rys. 8)
Czynnik	m_{cz} [kg/s]		
aceton	0,012	0,012	0,025
amoniak	0,019	0,020	0,042
cykloheksan	0,015	0,015	0,032
dimetyloeter	0,049	0,072	-
izobutan	0,050	0,051	0,105
metanol	0,005	0,005	0,011
metylocykloheksan	0,016	0,016	0,034
toluen	0,013	0,014	0,029
woda	0,002	0,002	0,005
R1234yf	0,145	0,151	-
R1234ze	0,126	0,165	-
R134a	0,127	0,163	-
R141b	0,030	0,030	0,062
R227ea	0,176	0,227	-
R236fa	0,134	0,195	-
R245fa	0,059	0,051	0,104
R365mfc	0,038	0,038	0,077
RC318	0,178	0,246	-

Tab. 3. Wpływ sposobu powiązania obiegów i czynnika na strumień masowy



Rys. 10. Moc użyteczna części parowej dla izobutanu



Rys. 11. Moc użyteczna części parowej dla metanolu

w większości przypadków większy strumień masowy czynnika. Przy czym w wariancie 3 widoczny jest niemal dwukrotny wzrost masowego natężenia przepływu m_{cz} , co przedstawiono w tab. 3.

Podsumowanie

W artykule przedstawiono sposób zwiększenia sprawności kogeneracyjnej mikrośiłowni kombinowanej gazowo-parowej. Wzrost efektywności uzyskano poprzez zastosowanie turbiny gazowej powietrznej z upustem części powietrza. Jest to metoda dotychczas niespotykana w literaturze, a daje ona kilku-, a nawet kilkunastoprocentowy zysk sprawnościowy względem najprostszego układu kombinowanego.

Analizowane mikrośiłownie dają możliwość produkcji do 33,3 kW mocy elektrycznej oraz do 40 kW mocy cieplnej. Taka ilość pozwala na przygotowanie ciepłej wody użytkowej w ilości 0,6 kg/s. Należy podkreślić, że analiza przedstawiona w artykule ma charakter teoretyczny i uzyskane wyniki wymagają dalszego potwierdzenia.

Bibliografia

1. Bronicki L.Y., Externally fired combined cycle gas turbine, Patent US 6167706.
2. Kamiński B., Piwowarski M., Analiza obiegów kombinowanych gazowo-parowych na czynniki niskotemperaturowe

[w:] Systemy, technologie i urządzenia energetyczne, t. 2, red. J. Taler, Wydawnictwo Politechniki Krakowskiej, Kraków 2010.

3. Klenven O.B., Gas turbine with external combustion, applying a rotating regenerating heat exchanger, Patent US 20110227346 A1, 2011.
4. Kosowski K. i in., Sposób zwiększenia sprawności obiegu turbiny gazowej z komorą spalania na wypływie czynnika roboczego z turbiny poprzez rozdział strumienia powietrza przed komorą spalania, Patent PL221481.
5. Kosowski K., Steam and Gas Turbines, with examples of Alstom Technology, Alstom Power, 2007.

This is a supporting translation of the original text published in this issue of "Acta Energetica" on pages 81–86. When referring to the article please refer to the original text.

PL

- | | | |
|--|---|--|
| <p>6. Mikielwicz J., Piwowski M., Kosowski K., Design analysis of turbines for co-generating micro-power plant working in accordance with organic Rankine's cycle, Polish Maritime Research, 2009.</p> <p>7. Mikielwicz J., Mikielwicz D., Obiegi termodynamiczne ORC mikrośilowni</p> | <p>domowej, Wydawnictwo IMP PAN, Gdańsk 2013.</p> <p>8. Perycz S., Turbiny parowe i gazowe, Wydawnictwo PG, Gdańsk 1988.</p> <p>9. Piwowski M., Dobór czynnika roboczego oraz korzystnych wartości podstawowych parametrów projektowych mikroturbiny do przetwarzania energii</p> | <p>ze źródeł niskotemperaturowych, Wydawnictwo IMP PAN, Gdańsk 2013.</p> <p>10. Program komputerowy własności fizycznych czynników, Refprop Reference Fluid Thermodynamic and Transport Properties, 9, 2013.</p> |
|--|---|--|

Marian Piwowski

dr hab. inż.

Politechnika Gdańska, Wydział Mechaniczny

e-mail: marian.piwowski@pg.gda.pl

Studia wyższe ukończył w 1996 roku, a stopień doktora nauk technicznych uzyskał w 2002 roku na Wydziale Oceanotechniki i Okrętownictwa Politechniki Gdańskiej. Stopień doktora habilitowanego nauk technicznych w zakresie budowy i eksploatacji maszyn uzyskał w 2014 roku w Instytucie Maszyn Przepływowych im. Roberta Szwalskiego Polskiej Akademii Nauk w Gdańsku. Od 1995 roku jest zatrudniony na Politechnice Gdańskiej. Specjalizuje się w zagadnieniach związanych z projektowaniem, konstrukcją maszyn cieplnych wirnikowych, analizami wysokosprawnych silowni cieplnych opartych na obiegach na czynniki organiczne i obiegach nadkrytycznych, analizami systemów magazynowania energii, teoretycznymi i eksperymentalnymi badaniami mikroturbozespołów gazowych oraz parowych. Jest autorem oraz współautorem 9 monografii naukowych, 3 rozdziałów w monografiach, 13 publikacji indeksowanych (JCR, ASME), 64 publikacji recenzowanych w czasopiśmie i materiałach konferencyjnych, 28 niepublikowanych prac wewnętrznych Politechniki Gdańskiej oraz Instytutu Maszyn Przepływowych PAN w Gdańsku, 22 zgłoszeń patentowych, z czego 6 uzyskało dotychczas przyznanie patentów, oraz 39 osiągnięć projektowych i technologicznych.

Tomasz Kwaśniewski

inż.

Politechnika Gdańska, Wydział Mechaniczny

e-mail: tomkwasn@gmail.com

Absolwent I Liceum Ogólnokształcącego im. Marii Skłodowskiej-Curie w Tczewie. W 2017 roku uzyskał stopień inżyniera na międzywydziałowym kierunku energetyka na Politechnice Gdańskiej o specjalności: diagnostyka i eksploatacja urządzeń energetycznych. Praktykę zawodową odbył w Elektrociepłowni Starogard sp. z o.o. Obecnie studiuje mechanikę i budowę maszyn na Wydziale Mechanicznym Politechniki Gdańskiej (specjalność: technologie ciepłno-przepływowe, chłodnicze i klimatyzacyjne). Specjalizuje się w zagadnieniach związanych z projektowaniem, konstrukcją maszyn cieplnych wirnikowych, analizami wysokosprawnych silowni cieplnych opartych na obiegach na czynniki organiczne i obiegach nadkrytycznych.