



Bondage number of grid graphs



Magda Dettlaff^a, Magdalena Lemańska^a, Ismael G. Yero^{b,*}

^a Department of Technical Physics and Applied Mathematics, Gdańsk University of Technology, ul. Narutowicza 11/12 80-233 Gdańsk, Poland

^b Departamento de Matemáticas, Escuela Politécnica Superior de Algeciras, Universidad de Cádiz, Av. Ramón Puyol, s/n, 11202 Algeciras, Spain

ARTICLE INFO

Article history:

Received 16 April 2012

Received in revised form 5 September 2013

Accepted 25 November 2013

Available online 9 December 2013

Keywords:

Domination

Bondage number

Strong product graphs

Direct product graphs

ABSTRACT

The bondage number $b(G)$ of a nonempty graph G is the cardinality of a smallest set of edges whose removal from G results in a graph with domination number greater than the domination number of G . Here we study the bondage number of some grid-like graphs. In this sense, we obtain some bounds or exact values of the bondage number of some strong product and direct product of two paths.

© 2013 Elsevier B.V. All rights reserved.

1. Introduction

Let $G = (V, E)$ be a connected undirected graph with vertex set V and edge set E . Given two vertices $u, v \in V$, the notation $u \sim v$ means that u and v are adjacent. The *neighborhood* of a vertex $v \in V$ in G is the set $N_G(v) = \{u \in V : u \sim v\}$. For a set $X \subseteq V$, the *open neighborhood* $N_G(X)$ is defined to be $\bigcup_{v \in X} N_G(v)$ and the *closed neighborhood* $N_G[X] = N_G(X) \cup X$.

The *degree* $d_G(v)$ of a vertex v is the number of edges incident to v , $d_G(v) = |N_G(v)|$. The minimum and maximum degrees among all vertices of G are denoted by $\delta(G)$ and $\Delta(G)$, respectively. The *distance* $d_G(u, v) = d(u, v)$ between two vertices u and v in a connected graph G is the length of a shortest $(u - v)$ path in G .

A set $D \subseteq V$ is a *dominating set* of G if $N_G[D] = V$. The *domination number* of G , denoted $\gamma(G)$, is the minimum cardinality of a dominating set in G . Any dominating set of cardinality $\gamma(G)$ is called a γ -set. For unexplained terms and symbols see [7].

The *bondage number* $b(G)$ of a nonempty graph G with $E \neq \emptyset$ is the minimum cardinality among all sets of edges $E' \subseteq E$ for which $\gamma(G - E') > \gamma(G)$. The domination number of every spanning subgraph of a nonempty graph G is at least as great as $\gamma(G)$, hence the bondage number of a nonempty graph is well defined. Bondage number was introduced by Fink et al. [3] in 1990. However, the early research on the bondage number can be found in Bauer et al. [1]. In [1,3] it was shown that every tree has bondage number equal to 1 or 2. Hartnell and Rall [5] proved that for the cartesian product $G_n = K_n \square K_n$, $n > 1$, we have $b(G_n) = \frac{3}{2} \Delta$. Teschner [14,13,12] also studied the bondage number; for instance, in [13] he showed that $b(G) \leq \frac{3}{2} \Delta(G)$ holds for any graph G satisfying $\gamma(G) \leq 3$. Moreover, the bondage number of planar graphs was described in [2,4,10]. Carlson and Develin [2] showed that the corona $G = H \circ K_1$ satisfies $b(G) = \delta(H) + 1$. In [9] Kang et al. proved for discrete torus $C_n \square C_4$ that $b(C_n \square C_4) = 4$ for any $n \geq 4$. Also, some relationships between the connectivity and the bondage number of graphs were studied in [11]. In [8], the exact values of bondage number of Cartesian product of two paths P_n and P_m have been determined for $m \leq 4$. For more results on bondage number of a graph we suggest the survey [15].

* Corresponding author. Tel.: +34 956028061; fax: +34 977558512.

E-mail addresses: mdettlaff@mif.pg.gda.pl (M. Dettlaff), magda@mifgate.mif.pg.gda.pl (M. Lemańska), ismael.gonzalez@uca.es (I.G. Yero).

The following two lemmas show general bounds for the bondage number of a graph.

Lemma 1 ([5]). *If u and v are a pair of adjacent vertices of a graph G , then*

$$b(G) \leq d(u) + d(v) - 1 - |N(u) \cap N(v)|.$$

Lemma 2 ([1,6]). *If u and v are two vertices of a graph G such that $d(u, v) \leq 2$, then*

$$b(G) \leq d(u) + d(v) - 1.$$

2. Bondage number of $P_n \boxtimes P_m$

Let G and H be two graphs with the sets of vertices $V_1 = \{v_1, v_2, \dots, v_n\}$ and $V_2 = \{u_1, u_2, \dots, u_m\}$, respectively. The strong product of G and H is the graph $G \boxtimes H$ formed by the vertices $V = \{(v_i, u_j) : 1 \leq i \leq n, 1 \leq j \leq m\}$ and two vertices (v_i, u_j) and (v_k, u_l) are adjacent in $G \boxtimes H$ if and only if $(v_i = v_k \text{ and } u_j \sim u_l)$, $(v_i \sim v_k \text{ and } u_j = u_l)$ or $(v_i \sim v_k \text{ and } u_j \sim u_l)$. In this section we will study the bondage number of the strong product of two paths P_n and P_m of order at least two. We begin by giving some observations and lemmas which will be useful into obtaining the bondage number of $P_n \boxtimes P_m$ for $n, m \geq 2$.

We will say that a graph G without isolated vertices satisfies the property \mathcal{P} if it has a dominating set of minimum cardinality $S = \{u_1, u_2, \dots, u_k\}$, $k = \gamma(G)$, such that $N[u_i] \cap N[u_j] = \emptyset$ for every $i, j \in \{1, \dots, k\}$, $i \neq j$. Now, let \mathfrak{F} be the class of all graphs satisfying property \mathcal{P} . Notice that for instance every path graph belongs to \mathfrak{F} .

Observation 1. *Let $\{v_1, v_2, \dots, v_n\}$ be the set of vertices of a path P_n of order n . Then*

- (i) *If $n = 3t$, then there is only one dominating set S of minimum cardinality in P_n ; it satisfies property \mathcal{P} and it is $S = \{v_2, v_5, \dots, v_{n-1}\}$.*
- (ii) *If $n = 3t + 1$, then there is only one dominating set S of minimum cardinality in P_n satisfying property \mathcal{P} and it is $S = \{v_1, v_4, v_7, \dots, v_{n-3}, v_n\}$.*
- (iii) *If $n = 3t + 2$, then there are only two dominating sets S and S' of minimum cardinality in P_n satisfying property \mathcal{P} and they are $S = \{v_2, v_5, \dots, v_{n-3}, v_n\}$ and $S' = \{v_1, v_4, v_7, \dots, v_{n-1}\}$.*

The following result from [16] is useful into studying the bondage number of $P_n \boxtimes P_m$.

Lemma 3 ([16]). *For any $n, m \geq 2$,*

$$\gamma(P_n \boxtimes P_m) = \gamma(P_n)\gamma(P_m) = \left\lceil \frac{n}{3} \right\rceil \left\lceil \frac{m}{3} \right\rceil.$$

Theorem 4. *For any $n, m \geq 2$,*

$$1 \leq b(P_n \boxtimes P_m) \leq 5.$$

Proof. Since $n, m \geq 2$, we have that there are always two adjacent vertices u, v in $P_n \boxtimes P_m$ such that $d(u) = 3, d(v) \leq 5$ and $|N(u) \cap N(v)| = 2$. So, the result follows by Lemma 1. ■

Similarly to the case of Cartesian product, hereafter we will study the bondage number of $P_n \boxtimes P_m$ by making some cases.

Theorem 5. *If $(n = 3t \text{ and } m = 3r)$ or $(n = 3t \text{ and } m = 3r + 2)$, then*

$$b(P_n \boxtimes P_m) = 1.$$

Proof. Notice that if $n = 3t$ and $m = 3r$, then by Observation 1(i) there exists only one dominating set of minimum cardinality in P_n and only one dominating set of minimum cardinality in P_m and they satisfy the property \mathcal{P} . Thus, there exists only one dominating set S , of minimum cardinality in $P_n \boxtimes P_m$; and it also satisfies the property \mathcal{P} . So, every vertex outside of S is dominated by only one vertex from S . Therefore, by deleting any edge e of $P_n \boxtimes P_m$ between a vertex of S and other vertex outside of S , we obtain that the domination number of $P_n \boxtimes P_m - \{e\}$ is greater than the domination number of $P_n \boxtimes P_m$.

On the other hand, let $V_1 = \{u_1, u_2, \dots, u_n\}$ and $V_2 = \{v_1, v_2, \dots, v_m\}$ be the set of vertices of P_n and P_m , respectively. Since $n = 3t$, by Observation 1(i), we have that there is only one dominating set of minimum cardinality in P_n and it is $S_1 = \{u_2, u_5, \dots, u_{n-1}\}$. Moreover, since $m = 3r + 2$ we have that every dominating set S_2 of minimum cardinality in P_m satisfies either

- $v_1 \in S_2$ and $v_2, v_3 \notin S_2$,
- or $v_2 \in S_2$ and $v_1, v_3 \notin S_2$.

So, every dominating set S of minimum cardinality in $P_n \boxtimes P_m$ contains either the vertex (u_2, v_1) (in which case, (u_2, v_2) is only dominated by (u_2, v_1)) or the vertex (u_2, v_2) (in which case, (u_2, v_1) is only dominated by (u_2, v_2)) and also S does not contain the vertex (u_2, v_3) , neither any vertex of type (u_1, v_j) or (u_3, v_l) , with $j, l \in \{1, \dots, m\}$. Thus, if we delete the edge $e' = (u_2, v_1)(u_2, v_2)$ we obtain that any dominating set of minimum cardinality in $P_n \boxtimes P_m$ is not a dominating set in $P_n \boxtimes P_m - \{e'\}$. Therefore, $\gamma(P_n \boxtimes P_m - \{e'\}) > \gamma(P_n \boxtimes P_m)$. ■

Theorem 6. If $n = 3t$ and $m = 3r + 1$, then

$$b(P_n \boxtimes P_m) = 2.$$

Proof. Let $V_1 = \{u_1, u_2, \dots, u_n\}$ and $V_2 = \{v_1, v_2, \dots, v_m\}$ be the set of vertices of P_n and P_m , respectively. If $n = 3t$, then by **Observation 1(i)** we have that there is only one dominating set S_1 of minimum cardinality in P_n , it satisfies property \mathcal{P} and it is $S_1 = \{u_2, u_5, \dots, u_{n-1}\}$. Also, every dominating set of minimum cardinality in P_m contains either the vertex v_1 or the vertex v_2 .

Thus, in $P_n \boxtimes P_m$, we have that for every dominating set S of minimum cardinality it is satisfied either for $(u_2, v_1) \in S$ or $(u_2, v_2) \in S$. Notice that no vertex of type (u_1, v_j) or (u_3, v_l) is contained in S , with $j, l \in \{1, \dots, m\}$. Now, since the vertex (u_1, v_1) is only dominated by the vertices (u_2, v_1) or (u_2, v_2) by deleting the edges $(u_2, v_1)(u_1, v_1)$ and $(u_2, v_2)(u_1, v_1)$ we have that

$$\gamma(P_n \boxtimes P_m - \{(u_2, v_1)(u_1, v_1), (u_2, v_2)(u_1, v_1)\}) > \gamma(P_n \boxtimes P_m).$$

Thus, $b(P_n \boxtimes P_m) \leq 2$.

On the other hand, since $n = 3t$ we have that every vertex belonging to any dominating set S of minimum cardinality in $P_n \boxtimes P_m$ has the form (u_i, v_j) where $u_i \in S_1$ and S_1 is the only dominating set of minimum cardinality in P_n . Hence, S is formed by t subsets A_l , $l \in \{2, 5, \dots, n-4, n-1\}$, such that A_l is a dominating set of minimum cardinality in the suitable copy of P_m in $P_n \boxtimes P_m$; and A_l dominates all the vertices of $\{u_{l-1}, u_l, u_{l+1}\} \times P_m$ in the graph $P_n \boxtimes P_m$. Notice that the vertices of $\{u_{l-1}, u_l, u_{l+1}\} \times P_m$ are only dominated by such a set A_l and also, every dominating set of minimum cardinality in P_m dominates the vertices of $\{u_{l-1}, u_l, u_{l+1}\} \times P_m$.

Since $m = 3r + 1$ we have that $\gamma(P_m) = \gamma(P_{m-1}) + 1$. So, if we delete any edge e of P_m and B is a dominating set of minimum cardinality in P_m , then we can obtain another dominating set B' of minimum cardinality in $P_m - \{e\}$ such that $|B'| = |B|$.

Now, let $(u_i, v_j) \in S$. Thus, $(u_i, v_j) \in A_l$ for some $l \in \{2, 5, \dots, n-4, n-1\}$, A_l is a dominating set of minimum cardinality in the suitable copy of P_m in $P_n \boxtimes P_m$; and A_l dominates all the vertices of $\{u_{l-1}, u_l, u_{l+1}\} \times P_m$ in the graph $P_n \boxtimes P_m$. So, if we delete any edge incident to (u_i, v_j) , then there exists another set A'_l such that it is a dominating set of minimum cardinality in P_m and $|A'_l| = |A_l|$. As a consequence, A'_l dominates all the vertices of $\{u_{l-1}, u_l, u_{l+1}\} \times P_m$ and the set $S' = S - A_l + A'_l$ is also a dominating set of minimum cardinality in $P_n \boxtimes P_m$ with $|S| = |S'|$. Therefore, $b(P_n \boxtimes P_m) \geq 2$ and the result follows. ■

The following simple observation will be useful in proving the next Theorem.

Observation 2. Let us denote by $\{u_1, u_2, \dots, u_{3t+1}\}$ and $\{v_1, v_2, \dots, v_{3r+2}\}$ the sets of vertices of the paths $P_n = P_{3t+1}$ and $P_m = P_{3r+2}$, respectively. For every vertex u_i ($1 \leq i \leq 3t + 1$) there is a γ -set D_n in P_n which contains u_i and for every vertex v_j ($1 \leq j \leq 3r + 2$), where $j \not\equiv 0 \pmod{3}$, there is a γ -set D_m in P_m such that $v_j \in D_m$. Moreover, one of each two consecutive vertices v_i, v_{i+1} , where $i \equiv 1 \pmod{3}$, belongs to D_m .

Theorem 7. If $n = 3t + 1$ and $m = 3r + 2$, then

$$b(P_n \boxtimes P_m) = 3.$$

Proof. Let (u, v) be a vertex of degree three in $P_n \boxtimes P_m$ and let e_1, e_2, e_3 denote edges incident with (u, v) . We remove edges e_1, e_2, e_3 from $P_n \boxtimes P_m$. Hence, every dominating set of minimum cardinality in $P_n \boxtimes P_m - \{e_1, e_2, e_3\}$ contains the vertex (u, v) . Thus,

$$\begin{aligned} \gamma(P_n \boxtimes P_m - \{e_1, e_2, e_3\}) &\geq \gamma(P_n \boxtimes (P_m - \{v\})) + 1 \\ &= \gamma(P_{3t+1} \boxtimes P_{3r+1}) + 1 \\ &= (t+1)(r+1) + 1. \end{aligned}$$

On the other hand, by **Lemma 3** we have that $\gamma(P_n \boxtimes P_m) = (t+1)(r+1)$. So, we obtain that $b(P_n \boxtimes P_m) \leq 3$.

On the other side, we show that removing any two edges does not change the domination number. Let us denote by $\{u_1, u_2, \dots, u_{3t+1}\}$ and $\{v_1, v_2, \dots, v_{3r+2}\}$ the sets of vertices of the paths $P_n = P_{3t+1}$ and $P_m = P_{3r+2}$, respectively and let $H_k = P_n \boxtimes \{v_k\}$, where $1 \leq k \leq m$ ($H_k \approx P_n$). We denote $C = \{(u_i, v_j), 1 \leq i \leq 3t + 1, 1 \leq j \leq 3r + 2, j \not\equiv 0 \pmod{3}\}$. From **Observation 2**, for every vertex in C there is a γ -set in $P_n \boxtimes P_m$ containing this vertex. Now, we remove two edges e_1 and e_2 . Obviously it is enough to consider the cases that $e_1 = ab$ and $e_2 = xy$ have at least one end-vertex in C (without loss of generality, let $a \in C$ and $x \in C$). Let us denote by D_m, D_n and D γ -sets in P_m, P_n and $P_n \boxtimes P_m - \{e_1, e_2\}$, respectively. We

use the notation $a = (u^a, v^a)$, $b = (u^b, v^b)$, $x = (u^x, v^x)$, $y = (u^y, v^y)$. The set $D'_n = \{u_1, u_4, \dots, u_{n-3}, u_n\}$ is one of γ -sets of P_n . Let us denote $v^a = v_k$ for $1 \leq k \leq m$ and $v^x = v_l$ for $1 \leq l \leq m$. Without loss of generality, we can assume that $d(v_1, v^a) \leq d(v_1, v^x)$ (it means $k \leq l$). In the following cases we show that $\gamma(P_n \boxtimes P_m - \{e_1, e_2\}) = |D| = \gamma(P_n \boxtimes P_m)$ which implies that $b(P_n \boxtimes P_m) \geq 3$.

Case 1. If $b, y \in V - C$, then $m \geq 5$. We have the following subcases.

Subcase 1.1. If $l \equiv 2 \pmod{3}$, then we denote a common neighbor of a and b in C by $c = (u^c, v^c) \in C$, where $v^c = v^a = v_k$. We can construct D_m such that v_k and v_{l+2} belong to D_m . We choose D_n satisfying $u^c \in D_n$. Thus $D = D_n \times D_m$.

Subcase 1.2. If $l \equiv 1 \pmod{3}$, then we have the following subcases.

Subcase 1.2.1. If $k \neq l$, then we denote a common neighbor of a and b in C by $c = (u^c, v^c) \in C$, where $v^c = v^a = v_k$, and we denote by $z = (u^z, v^z) \in C$, where $v^z = v^x = v_l$, a common neighbor of x and y in C . We can construct D_m such that v^c and v^z belong to D_m . We choose D_n^c and D_n^z satisfying that $u^c \in D_n^c$ and $u^z \in D_n^z$. Thus, $D = (D_n^c \times D_m) - (D_n^c \times \{v^c\}) \cup (D_n^z \times \{v^c\}) - (D_n^c \times \{v^z\}) \cup (D_n^z \times \{v^z\})$.

Subcase 1.2.2. If $k = l$, then we choose D_m such that $v_{k-2} \in D_m$. Hence $D = D'_n \times D_m$.

Case 2. If $b \in C$ and $y \in V - C$, then we denote a common neighbor of a and b by $c = (u^c, v^c) \in C$ and by $z = (u^z, v^z) \in C$ a common neighbor of x and y , where $v^x = v^z = v_l$. So, we have the following subcases.

Subcase 2.1. If $l \equiv 2 \pmod{3}$, then we construct D_m such that $v^c, v_{l+2} \in D_m$ and D_n that $u^c \in D_n$ (by **Observation 2**). Finally, $D = D_n \times D_m$.

Subcase 2.2. If $l \equiv 1 \pmod{3}$, then we construct D_m such that $v^c, v^z \in D_m$. We choose D_n^c and D_n^z such that $u^c \in D_n^c$ and $u^z \in D_n^z$. Thus $D = (D_n^c \times D_m) - (D_n^c \times \{v^z\}) \cup (D_n^z \times \{v^z\}) - (D_n^c \times \{v^c\}) \cup (D_n^z \times \{v^c\})$.

Case 3. If $b \in V - C$ and $y \in C$, then by symmetry it is similar to Case 2.

Case 4. If $b, y \in C$, then the vertex v^a either lies on a path P_m between v_{3p} and $v_{3(p+1)}$ for some integer p , $1 \leq p \leq r$ or $v^a \in \{v_1, v_2, v_{m-1}, v_m\}$. In the first case we can choose D_m such that v_{3p-1}, v_k and $v_{3(p+1)+1}$ belong to D_m , otherwise $v_k, v_3 \in D_m$ or $v_k, v_{m-3} \in D_m$. Let k' be such that $k \neq k'$ and $3p < k' < 3(p+1)$. So, we consider the next subcases.

Subcase 4.1. If $v^a v^x \notin E(P_m)$ and $v^a \neq v^x$, then we denote by $c \in C$ a common neighbor of a and b , and also x and y have common neighbor $z \in C$. Similarly like in Subcase 1.2.1 we construct D containing c and z .

Subcase 4.2. If $v^a = v^x$ or $v^a v^x \in E(P_m)$, then we consider the following cases.

Subcase 4.2.1. If e_1 and e_2 are adjacent, then we denote by $w = (u^w, v^w) \in C$ a common neighbor a, b, x and y and we construct D such that $w \in D$ in the following way: we choose D_n^w and D_m^w such that $u^w \in D_n^w$ and $v^w \in D_m^w$. Then we take $D = D_n^w \times D_m^w$.

Subcase 4.2.2. If e_1 and e_2 are not adjacent, then let $A = \{u^a, u^b, u^x, u^y\} \subseteq V(P_n)$. We consider the following cases:

Subcase 4.2.2.1. If $u^a = u^b = u_i$ and $u^x = u^y = u_j$, then we consider the following items,

- if $i = 1$ and $j = 2$ ($i = n - 1, j = n$), then we choose D_n such that $u_2, u_3 \in D_n$ ($u_{n-2}, u_{n-1} \in D_n$) and $D = D_n \times D_m$.
- if $i = 1$ and $j \geq 3$ ($j = n, i \leq n - 2$), then we choose D_n such that $u_2, u_{j-1} \in D_n$ ($u_{i+1}, u_{n-1} \in D_n$) and $D = D_n \times D_m$.
- if $i > 1$ and $j < n$, then there exists D_n such that $|\{u_{i-1}, u_{i+1}\} \cap D_n| = 1$ and $|\{u_{j-1}, u_{j+1}\} \cap D_n| = 1$ (in particular $v_{i+1} \in D_n$ for $j = i + 2$) and $D = D_n \times D_m$.

Subcase 4.2.2.2 If $u^a = u^b = u_i$ and $u^x \neq u^y$, then let us say $u^x = u_j$ and $u^y = u_{j+1}$. Now, if a, b, x and y have a common neighbor $w \in C$ we construct D such that $w \in C$ similarly as in Subcase 4.2.1. Else, we choose such a set D_n containing a neighbor of u^a . So, we construct $D' = D_n \times D_m$ and; if $x \in D'$ (or $y \in D'$), then we exchange it with (u^x, v_k) (for y with $(u^y, v_{k'})$). After these modifications we obtain D from D' .

Subcase 4.2.2.3 If $u^a \neq u^b$ and $u^x = u^y$, then it is similar to Subcase 4.2.2.2.

Subcase 4.2.2.4 If $u^a \neq u^b$ and $u^x \neq u^y$, then we consider three subcases:

- $|A| = 2$ and $A = \{u_i, u_{i+1}\}$. If $u_1 \in A$ ($u_n \in A$) we can construct D_n such that $u_1, u_3 \in D_n$ ($u_{n-2}, u_n \in D_n$). Else, $u_{i-1}, u_{i+2} \in D_n$. Thus, we take $D = D_n \times D_m$.
- $|A| = 3$ and $A = \{u_i, u_{i+1}, u_{i+2}\}$. So, we choose D_n such that $u_i, u_{i+3} \in D_n$ for $i < n - 3$ and $D_n = D'_n$ for $i = n - 3$. We construct $D' = D_n \times D_m$ and; if $x \in D'$, then we exchange it with (u^x, v_k) . We do the same for a, b and y . After these modifications we obtain D from D' .
- If $|A| = 4$, then we denote vertices x and y such that $u^x = u_j$ and $u^y = u_{j+1}$. Then we choose D_n which contains u^a . We construct $D' = D_n \times D_m$ and; if $a \in D'$, then we exchange it with (u^a, v_k) . We do the same for x and y . After these modifications we obtain D from D' . ■

Observation 3. Let G be a graph. If there are t disjoint dominating sets of minimum cardinality in G , then $b(G) \geq \lceil \frac{t}{2} \rceil$.

Theorem 8. If $n = 3t + 2$ and $m = 3r + 2$, then $b(P_n \boxtimes P_m) = 2$.

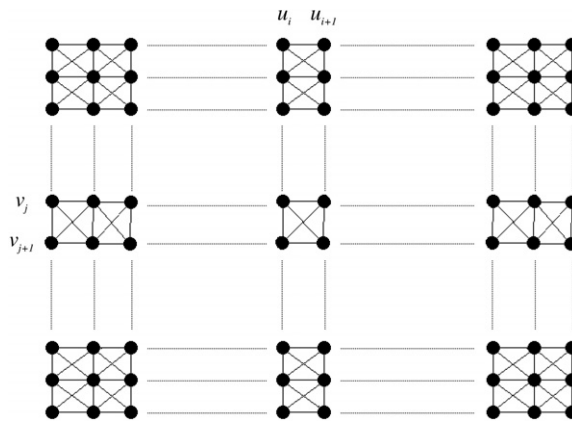


Fig. 1. The vertices $\{(u_i, v_j), (u_i, v_{j+1}), (u_{i+1}, v_j), (u_{i+1}, v_{j+1})\}$.

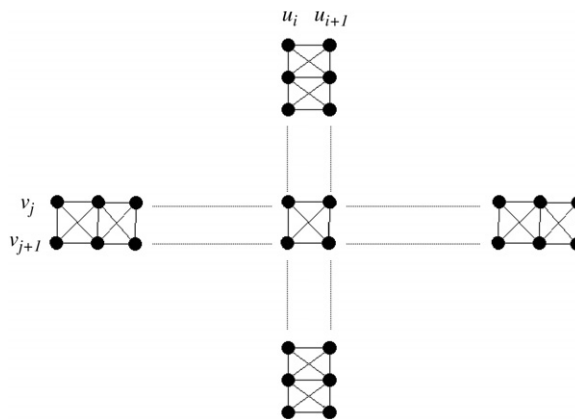


Fig. 2. The graph H .

Proof. Since $n = 3t + 2$ and $m = 3r + 2$, by **Observation 1**(iii) there are two disjoint dominating sets of minimum cardinality in each path P_n and P_m . Thus, there are four disjoint dominating sets of minimum cardinality in $P_n \boxtimes P_m$. Hence, by **Observation 3** we have that $b(P_n \boxtimes P_m) \geq 2$.

On the other hand, since $n = 3t + 2$ and $m = 3r + 2$, by **Lemma 3** we have that $\gamma(P_n \boxtimes P_m) = (t + 1)(r + 1)$. Hence, any dominating set S of minimum cardinality in $P_n \boxtimes P_m$ leads to a vertex partition $\Pi = \{A_1, A_2, \dots, A_{(t+1)(r+1)}\}$ of the graph $P_n \boxtimes P_m$ with $|A_i \cap S| = 1$, for every $i \in \{1, \dots, (t + 1)(r + 1)\}$. Moreover, there exist two vertices u_i, u_{i+1} in P_n , two vertices v_j, v_{j+1} in P_m (see **Fig. 1**) and a set $A_l \in \Pi$ such that $A_l = \{(u_i, v_j), (u_i, v_{j+1}), (u_{i+1}, v_j), (u_{i+1}, v_{j+1})\}$, only one of the vertices of the set A_l belongs to S and such a vertex also dominates the rest of vertices in A_l , which are not dominated by any other vertex in S . Thus, by deleting the edges $e = (u_i, v_j)(u_{i+1}, v_{j+1})$ and $f = (u_{i+1}, v_j)(u_i, v_{j+1})$, we have that the set S is not a dominating set of $P_n \boxtimes P_m - \{e, f\}$.

Let us suppose there exists a set S' with $|S'| = |S|$, such that S' is a dominating set in $P_n \boxtimes P_m - \{e, f\}$. Let $\{x_1, x_2\}$ be the set of vertices of the path P_2 and let H be the graph obtained from the graphs $P_n \boxtimes P_2$ and $P_2 \boxtimes P_m$, by identifying the vertices $(u_i, x_1), (u_i, x_2), (u_{i+1}, x_1)$ and (u_{i+1}, x_2) of $P_n \boxtimes P_2$ with the vertices $(x_1, v_j), (x_1, v_{j+1}), (x_2, v_j)$ and (x_2, v_{j+1}) of $P_2 \boxtimes P_m$, respectively (See **Fig. 2**). Notice that $\gamma(H) = t + r + 1$.

Since $n = 3t + 2$ and $m = 3r + 2$, we have

$$\gamma(P_n \boxtimes P_m) = \gamma(P_{n-2} \boxtimes P_{m-2}) + \gamma(H) = tr + t + r + 1.$$

Hence, as $\gamma(H - \{e, f\}) = t + r + 2$ we obtain that

$$\begin{aligned} \gamma(P_n \boxtimes P_m - \{e, f\}) &= \gamma(P_{n-2} \boxtimes P_{m-2}) + \gamma(H - \{e, f\}) \\ &= tr + t + r + 2 \\ &> tr + t + r + 1 \\ &= \gamma(P_n \boxtimes P_m), \end{aligned}$$

which is a contradiction. Hence, there is no such a dominating set S' with $|S| = |S'|$ such that S' dominates $P_n \boxtimes P_m - \{e, f\}$. Therefore, the result follows. ■

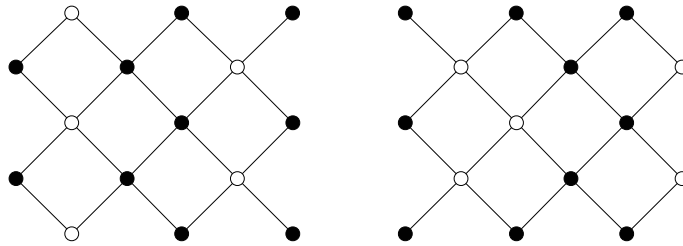


Fig. 3. The components C_1 and C_2 of $P_6 \times P_5$.

Finally, for the case $n = 3t + 1$ and $m = 3r + 1$, by [Observation 3](#) and [Theorem 4](#) we obtain the following bounds for the bondage number of $P_n \boxtimes P_m$.

Theorem 9. *If $n = 3t + 1$ and $m = 3r + 1$, then*

$$2 \leq b(P_n \boxtimes P_m) \leq 5.$$

Nevertheless we strongly think that in this case $b(P_n \boxtimes P_m) = 5$.

3. Bondage number of $P_n \times P_m$

Let G and H be graphs with the sets of vertices $V_1 = \{v_1, v_2, \dots, v_n\}$ and $V_2 = \{u_1, u_2, \dots, u_m\}$, respectively. The direct product of G and H is the graph $G \times H$ formed by the vertices $V = \{(v_i, u_j) : 1 \leq i \leq n, 1 \leq j \leq m\}$ and two vertices (v_i, u_j) and (v_k, u_l) are adjacent in $G \times H$ if and only if $v_i \sim v_k$ and $u_j \sim u_l$. In this section we will study the bondage number of the direct product of two paths of order at least two.

Notice that any direct product of two paths contains at least two vertices at distance two such that one of them has degree one and the other one has degree two. So, [Lemma 2](#) leads to $b(P_n \times P_m) \leq 2$.

Theorem 10. *For any paths P_n and P_m ,*

- (i) *If $n \leq 4$ or $m \leq 4$, then $b(P_n \times P_m) = 1$.*
- (ii) *If $n > 4$ and $m > 4$, then $b(P_n \times P_m) \leq 2$.*

Proof. (i) If $n \leq 3$ or $m \leq 3$, then there exist two vertices in $P_n \times P_m$ at distance two such that they have degree equal to one. Thus, by [Lemma 2](#) we obtain that $b(P_n \times P_m) = 1$. If $n = m = 4$, then $\gamma(P_4 \times P_4) = 4$ and it is easy to verify that removing of any pendant edge leads to a graph G' with $\gamma(G') = 5$, which implies $b(P_4 \times P_4) = 1$.

(ii) On the contrary, if $n > 4$ and $m > 4$, then there are two vertices in $P_n \times P_m$ at distance two such that one of them has degree one and the other one has degree two. Thus, by [Lemma 2](#) we obtain that $b(P_n \times P_m) \leq 2$. ■

Notice that there are values of $n, m \geq 4$ such that $b(P_n \times P_m) = 2$. The graph $P_6 \times P_5$ is an example, which has two isomorphic connected components C_1 and C_2 (see [Fig. 3](#), where the vertices in white represents dominating sets of minimum cardinality in each component) having domination number equal to five. Thus, $\gamma(P_6 \times P_5) = 10$. Notice that by deleting any edge e from C_1 or C_2 we can obtain a dominating set of cardinality five in $C_1 - e$ or $C_2 - e$. Therefore, we have that $b(P_6 \times P_5) = 2$.

References

- [1] D. Bauer, F. Harary, J. Nieminen, C.L. Suffel, Domination alteration sets in graphs, *Discrete Math.* 47 (1983) 153–161.
- [2] K. Carlson, M. Develin, On the bondage number of planar and directed graphs, *Discrete Math.* 306 (2006) 820–826.
- [3] J.F. Fink, M.S. Jacobson, L.F. Kinch, J. Roberts, The bondage number of a graph, *Discrete Math.* 86 (1990) 47–57.
- [4] M. Fischermann, D. Rautenbach, L. Volkmann, Remarks on the bondage number of planar graphs, *Discrete Math.* 260 (2003) 57–67.
- [5] B.L. Hartnell, D.F. Rall, Bounds on the bondage number of a graph, *Discrete Math.* 128 (1994) 173–177.
- [6] B.L. Hartnell, D.F. Rall, A bound on a size of a graph with given order and bondage number, *Discrete Math.* 197/198 (1999) 409–413.
- [7] T.W. Haynes, S.T. Hedetniemi, P.J. Slater, *Fundamentals of Domination in Graphs*, Marcel Dekker, New York, Basel, Hong Kong, 1998.
- [8] F.T. Hu, J.-M. Xu, The bondage number of mesh networks, *Front. Math. China* 7 (2012) 813–826.
- [9] L. Kang, M.Y. Sohn, H.K. Kim, Bondage number of the discrete torus $C_n \times C_4$, *Discrete Math.* 303 (2005) 80–86.
- [10] L. Kang, J. Yuan, Bondage number of planar graphs, *Discrete Math.* 222 (2000) 191–198.
- [11] H. Liu, L. Sun, The bondage and connectivity of a graph, *Discrete Math.* 263 (2003) 289–293.
- [12] U. Teschner, A counterexample to a conjecture on the bondage number of a graph, *Discrete Math.* 122 (1993) 393–395.
- [13] U. Teschner, A new upper bound for the bondage number of graphs with small domination number, *Australas. J. Combin.* 12 (1995) 27–35.
- [14] U. Teschner, New results about the bondage number of planar graphs, *Discrete Math.* 171 (1997) 249–259.
- [15] J.M. Xu, On bondage numbers of graphs—a survey with some comments, *Int. J. Comb.* 2013 (2013) 34. Article ID 595210.
- [16] I.G. Yero, J.A. Rodríguez-Velázquez, Roman domination in Cartesian product graphs and strong product graphs, *Appl. Anal. Discrete Math.* 7 (2013) 262–274.