

Advanced Control Structures of Turbo Generator System of Nuclear Power Plant

Authors

Paweł Sokółski
Karol Kulkowski
Anna Kobylarz
Kazimierz Duzinkiewicz
Tomasz A. Rutkowski
Michał Grochowski

Keywords

turbo generator, steam turbine, synchronous generator, nuclear power plant, fuzzy control

Abstract

In the paper a synthesis of advanced control structures of turbine and synchronous generator for nuclear power plant working under changing operating conditions (supplied power level) is presented. It is based on the nonlinear models of the steam turbine and synchronous generator cooperating with the power system. The considered control structure consists of multi-regional fuzzy control systems with local linear controllers, including PID controllers, in particular control loops of turbine and generator. Soft switching between the local controllers is performed by the Takagi-Sugeno-Kang fuzzy logic mechanism. Parameters of the local controllers were optimally tuned for a priori chosen operating points within the range of 50–100% of nominal active power generated by the synchronous generator. Simulation results show that proposed advanced control structure is superior to widely used classic control structure (local controllers tuned for nominal operating points). During simulations the data of the real devices was used, respectively for the 4 CK 465 steam turbine and synchronous generator GTHW-600, which were planned to be used in the first Polish nuclear power plant in Żarnowiec.

DOI: 10.12736/issn.2300-3022.2015308

1. Introduction

These days the Nuclear Power Plant (NPP) as well as its subsystems such as turbo generator are often forced to work under varying power demand conditions, which necessitates control within a wide operating range. Efficient and effective control of a turbo generator in such conditions is more difficult comparing with traditionally operating in a constant nominal operating point (linear controllers) and calls for more advanced algorithms which are able to meet the demands of changing working conditions of a turbogenerator.

A turbogenerator is a multi-input multi-output (MIMO) nonlinear system. In order to cope with such a kind of system, the control structure consisting of multi PI controllers and multi compensators are proposed. Local controllers (turbine) and compensators (generator) are smoothly switched accordingly to changes of an operating point (turbogenerator active power). The switching process is supervised by Takagi-Sugeno-Kang (TSK) fuzzy reasoning mechanism. The local controllers and compensators parameters are tuned to prescribed operating points, by using optimization procedure minimizing error trajectories of generator voltage, active power and rotational speed

of the generator shaft. That structure ensures high control quality while meeting the demand of changing working conditions of a turbogenerator. The considered issue is to guarantee optimal operation of the control system (minimizing the integral squared error multiplied by the time – the ITSE criterion) for a wide range of changes in the operating point for keeping the active power trajectory, voltage stabilization and damping the oscillation of the generator shaft.

The article presents the results of the turbogenerator simulation with surges in demand for active power using the proposed fuzzy controller structures for both the turbine and the generator. Their efficiency is compared with the classic turbogenerator control structure local controllers tuned for nominal operating conditions.

2. Power system model

A single machine infinite bus model of the power system for evaluating the proposed control structure is considered (Fig. 1). It consists of a steam turbine, synchronous generator, transformer, transmission line and power system (power network). The mathematical model of each element of considered power system

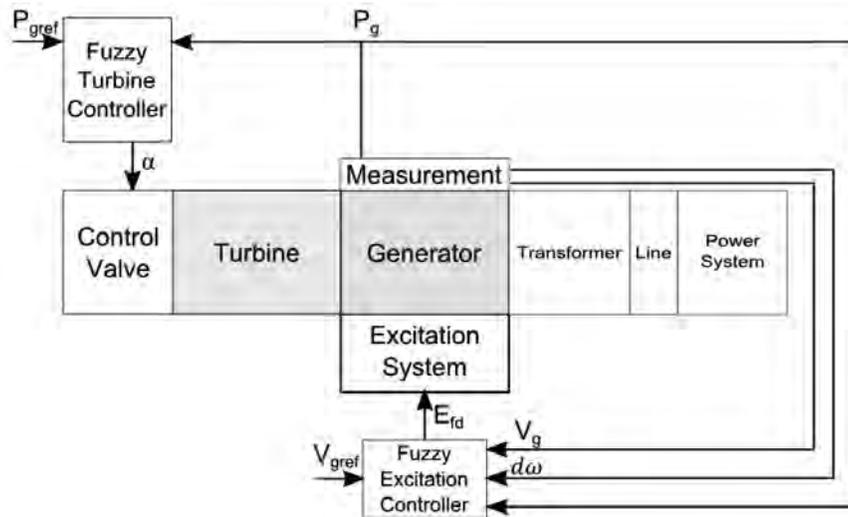


Fig. 1. Turbogenerator connected to the Power System by transformer and power line with control systems

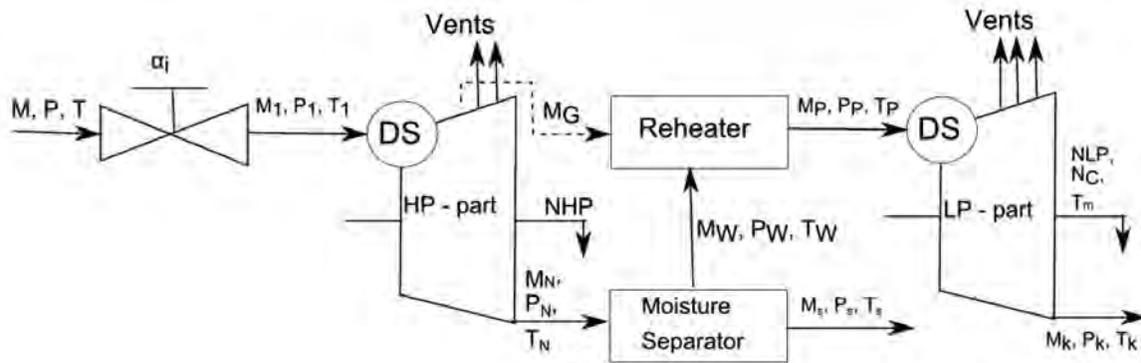


Fig. 2. Steam turbine scheme (M_i – mass flow, P_i – pressure, T_i – temperature, N_i – theoretical power, T_m – torque)

structure is briefly described in farther sections. The control structure of the turbogenerator system is shown in Fig. 1.

a) Steam turbine model

The scheme of the steam turbine model, previously introduced in [1], is shown in Fig. 2. Pressure on the inlet of steam turbine control valve P and degree of opening of control valve α_i are the inputs of the considered model. The degree of control valve opening is defined as percentage of opened area of the valve. The dynamic nonlinear model of steam turbine consists of sub models based on the characteristic parts of steam turbines built for NPP with high pressure and low pressure parts as well as reheater and moisture separator located between them. The turbine is controlled by throttling the control valve on the input of high pressure part. Additionally a dynamic of control valve actuator was modelled with usage of the first degree inertia [1]. The mutual variable which connects the presented steam turbine with the generator is turbine torque T_m which is directly bound with actual steam turbine power and the derivative of rotational speed of the shaft (which nominal value was assumed as 50 RPM).

b) Model of synchronous generator connected to the Power System

A fifth-order non-linear model of a synchronous generator cooperating with power system in dq0 coordinates (Park transform) was used [2]. The infinite stiffness of the power system was assumed. Input variables of the generator are: mechanical torque on the shaft T_m , the excitation voltage U_w , the generator voltage U_s and frequency ω_s related to the generator cooperation with PS (Power System). The output values are: the generator current I_g (defining generators impact on the PS), active and reactive powers P_g and Q_g and the rotational speed of the generator shaft ω_s (Fig. 3).

The changing environment in which generator operates, is defined as the change of generator input variables values due to the work of PS (fault conditions will not be considered). This means: a change of active power demand (change of mechanical torque on the shaft of the generator), reactive power (change of excitation voltage) and changes in PS, such as changing value and/or frequency of the system voltage.

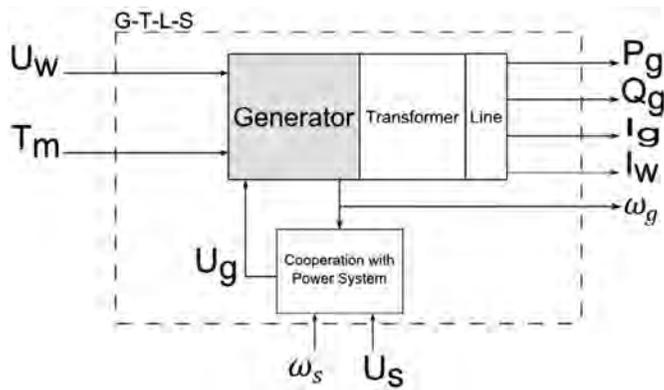


Fig. 3. Generator – Transformer – Line – Power System scheme

In the case study, steam turbine 4 CK 465 and synchronous generator GTHW-600 parameters were used.

3. Control structure

The operation of the generator can be influenced by changes in the rotational speed of the shaft and a change in the excitation voltage. Turbine controller (governor) is responsible for maintaining the synchronous speed by changing the steam flow which regulates drive torque of the generator shaft. This speed changes are associated with the change of the active power load of the generator. Reactive power load influences the generator voltage. The generator excitation control system is responsible for maintaining the voltage proper value.

Taking into account system nonlinearities, it is necessary to develop a control strategy which is relatively insensitive to changing operating conditions. One possible solution for this, in order to ensure high control quality, is simultaneous use of different linear controllers for different active power levels. The problem is how to determine the control value for the power values between those operating points. Takagi-Sugeno-Kang (TSK) fuzzy reasoning mechanism was chosen to be the tool for its determination, by weighting the switched controllers' outputs depending on the active power level of the generator.

Structure of a turbogenerator control system is presented in Fig. 1, while structures of proposed fuzzy governor and fuzzy excitation controller are presented in Fig. 4.

The inputs of the fuzzy turbine controller are: reference power P_{gref} and measured electrical power output of the turbogenerator P_g and valve open angle α is the controller's output (Fig. 4a). The excitation control system input consists of measured electrical power output of the turbogenerator P_g , reference voltage V_{gref} and measured voltage V_g and rotor speed deviation. Excitation voltage is the control output of the controller (Fig. 4b).

This enables for a smooth transition between the two systems of regulation by calculating their output weighted average. Hence, the output of the control system is the resultant of outputs of local optimally tuned controllers for neighbouring operating points. The fuzzy controllers' output, for turbine and generator respectively, area normalized weighted average of the outputs of developed local controllers:

$$y = \frac{\sum_{k=1}^M \mu_k \cdot y_k}{\sum_{k=1}^M \mu_k} \quad (1)$$

where:

μ_k – membership function value of the k-th control system, y_k – k-th control system output vector, M – number of selected operating points.

The current value of μ_k and y_k is calculated on the basis of the state of the object. The output value of the fuzzy controller is therefore dependent on the shape of membership function (Fig. 5). In this case, trapezoidal membership functions were selected for both controllers. These functions were chosen in such a way that for any level of active power their sum was equal one.

Fuzzy turbine controller consists of a number of PI controllers equal to number of chosen operating points. Based on a generally used and accepted control method a throttling control of the pressure on the inlet of steam turbine was proposed [3] with tracking the power of generator [4] with structure presented in Fig. 4a. Each PI controller was tuned optimally, minimizing ITSE criterion, for one of the operating points. It is important to follow the electrical power demand and therefore not the turbine power but generator's active power is taken under consideration while calculating controllers output.

A typical excitation control system consists of a controller of the excitation voltage, limiters and power system stabilizer unit [5].

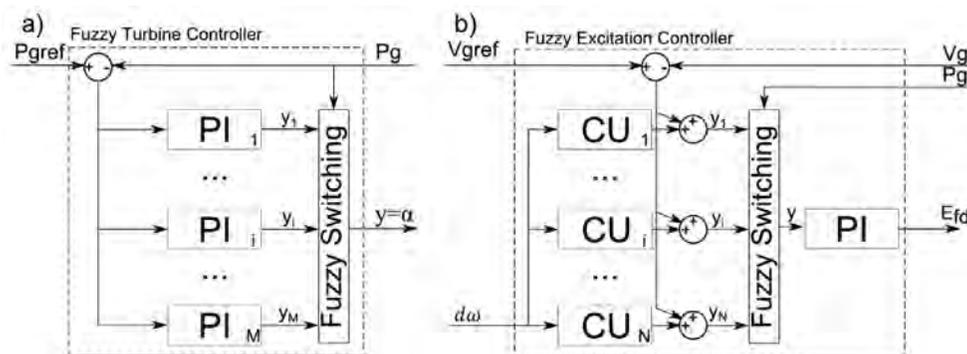


Fig. 4. Fuzzy turbine controller: (a) and fuzzy excitation controller, (b) structures (CU – compensation unit)

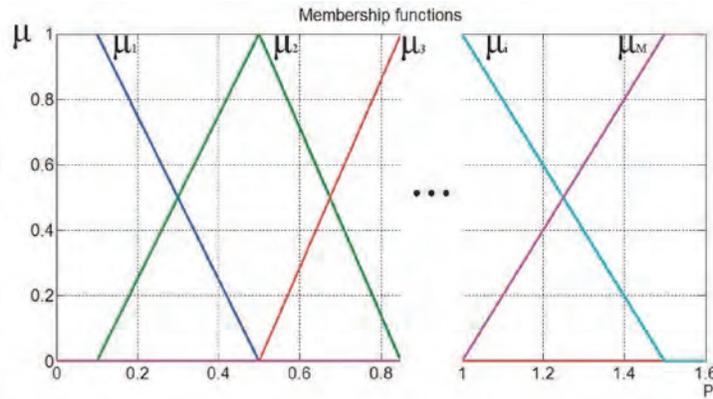


Fig. 5. Membership functions

Power System Stabilizer (PSS) is a correction unit that affects the excitation voltage controller set point. The automatic voltage control of a generator can weaken the oscillations dumping by inducing additional currents opposing currents induced by rotor speed deviation. Correction introduced by the PSS is calculated based on the rotor speed, frequency or active power, adds an additional control loop to the system and is used to damp this rotor oscillations [6].

A basic PSS is a single bound lead-lag filters cascade [5]. In order to address more than one bound multi-track multi-bound PSS models are proposed [5]. To cover different bounds for different operating points (active power levels) a fuzzy stabilizing unit consisting of a set of softly switched simple filters (correction units in the form of lead/lag compensators [7]) is proposed (Fig. 4b):

$$CU(s) = \frac{1+sT_1}{1+sT_2} \quad (2)$$

when:

$T_2 > T_1$ it is called lag compensator, and when $T_2 < T_1$ lead compensator and changes the phase characteristics accordingly.

Optimal values of T_1 and T_2 parameters were chosen for different levels of the generator active power minimizing the shaft oscillations. Parameters of excitation system controller PI were chosen optimally for the nominal operating point. The stabilizing unit compensation has such a great influence on the whole fuzzy controller output that an extra soft switching of PI controller does not improve the system performance, therefore only one controller for $P_g=100\%$ was selected and tuned.

4. Optimal parameterisation

As a criterion for the selection of optimal local controllers' parameters the integral of the square sum of the deviation of voltage and speed derivative multiplied by time (ITSE) was selected. This criterion allows evaluating the accuracy of voltage stabilization and stabilization time taking into account increasing weight of error in the later moments of time. Unlike the ISE criterion (integral of squared error) it allows taking into account not only the amplitude of the oscillations occurring, but also the rate of damping (time acts as a weight). Optimal

parameters were found based on the solution of the following optimisation problem:

$$\min_{K_p, K_i, T_1, T_2} \left[f_{ITSE} = \int_{t_1}^{t_2} (a \cdot e_U^2(t, K_p, K_i, T_1, T_2) \cdot t + b \cdot d\omega^2(t, K_p, K_i, T_1, T_2) \cdot t + c \cdot e_p^2(t, K_p, K_i, T_1, T_2) \cdot t) dt \right] \quad (3)$$

regarding to: $K_p, K_i > 0; T_1, T_2 < 10; T_1, T_2 > 0.001$, turbogenerator model constraints, test trajectory of generator active power (varying around the selected operating point) and reference values of generator voltage and generator shaft speed, where: e_U – generator voltage control error ($U_{gref} - U_g$), e_p – generator active power control error ($P_{gref} - P_g$), $d\omega$ – change in the generator shaft speed, t_1, t_2 – the time of a disturbance and end time of analysis, K_p, K_i – turbine PI controller parameters, T_1, T_2 – generator stabilizing unit parameters; a, b, c – weights.

The objective function (3) consists of three weighted parts. The first part (a) corresponds with generator voltage error. It determines how strong the controller's voltage stabilizing action is. The second part (b) is a part associated with changes in the rotational speed of the generator shaft allows to take into account shaft oscillations during controller tuning. These oscillations are caused by the action of the voltage controller and the faster the regulation of the voltage is, the greater oscillations appear. This means that the stabilization of the voltage and minimizing the oscillation of the shaft are mutually contradictory. In order to offset the effect of voltage control and shaft stabilization, scaling factors were added to achieve a compromise between these two control system activities. The last part (c) ensures the optimal tracking thanks to stair trajectory with 5% deviation from operating point used in optimization process.

The goal of the research and experiment presented in this paper was to propose a control structure for the described problem and its efficiency comparison with classic solution. It was verified by digital simulation in a Matlab/Simulink environment. The optimal values of the controllers: proportional gain K_p and integral gain K_i of PI controller for the turbine and generator stabilizing unit parameters T_1, T_2 were found by solving a series of optimization

tasks for selected operating points (50%, 75% and 100%) (3). Values of parameters for PI controller of fuzzy excitation controller were obtained for nominal operating point (100%). To calculate objective function f_{ITSE} value the system of turbogenerator equations must be solved considering a nonlinear system model expressed as a set of differential and algebraic equations (4).

$$\begin{cases} \dot{x} = f(x, t, K_p, K_i, T_1, T_2) \\ y = f_{itse}(x, t) \end{cases} \quad (4)$$

The tuning of controllers' and compensators' parameters was carried out jointly in one optimizing task. The problem is generally referred to as a constrained nonlinear optimization problem. The interior point algorithm was used in the parameter optimization process. Particular optimization results, for selected operating points, are presented in Tab. 1.

Control structure	Active power	Turbine		Stabilizing unit		Generator	
		K_p	K_i	T_1	T_2	K_p	K_i
Classic	100%	$1.4346 \cdot 10^3$	$2.1381 \cdot 10^3$	10	3.5	100	10
Fuzzy	50%	879.43	1791.80	10	3.4349	100	10
	75%	$1.3368 \cdot 10^4$	$0.7795 \cdot 10^4$	10	4	100	10
	100%	$1.4346 \cdot 10^3$	$2.1381 \cdot 10^3$	10	3.5	100	10

Tab. 1. Controllers' parameters

5. Simulation tests results

A comparison of proposed control method (section 3) and classic control, tuned for nominal conditions, was performed. In order to analyse the operation of designed control systems beyond

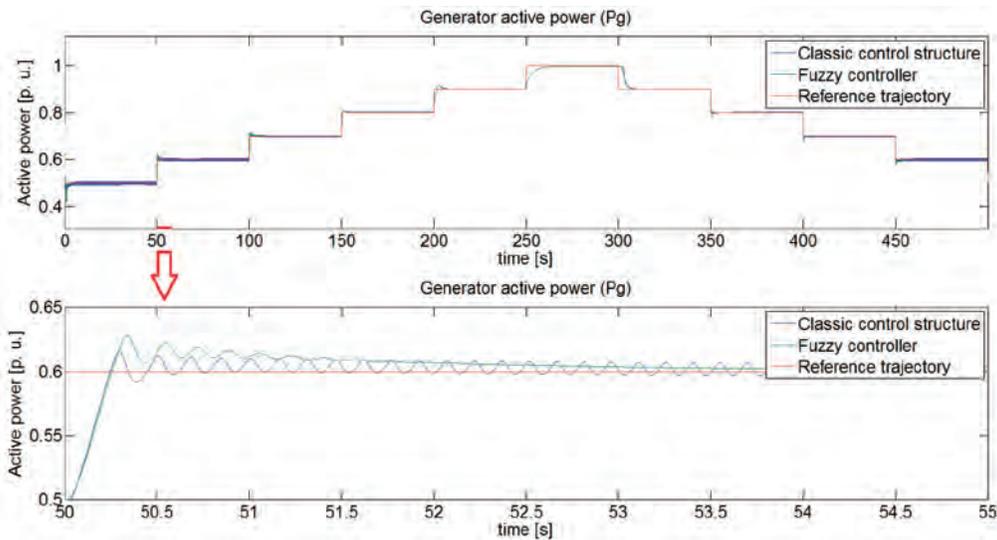


Fig. 6. Generator active power (P_g)

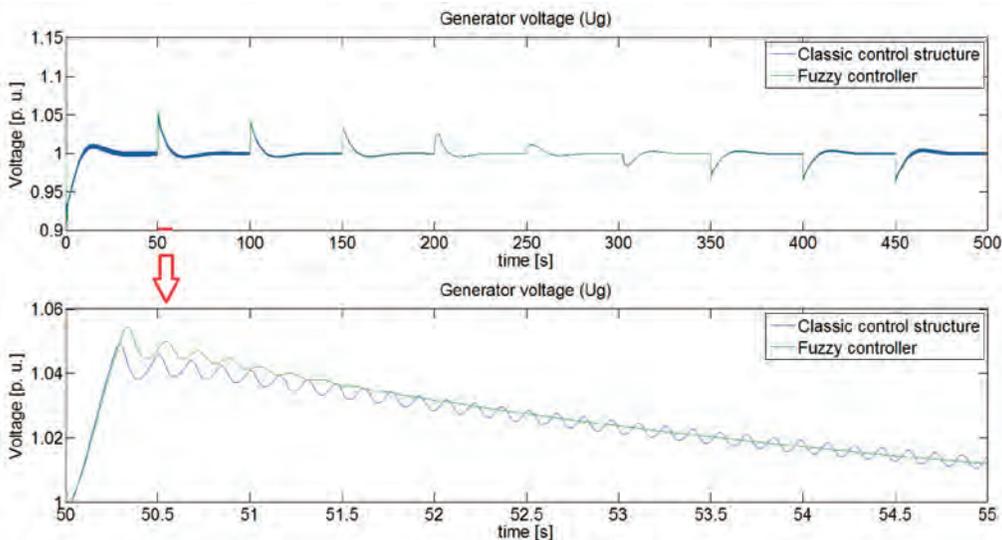


Fig. 7. Generator voltage (U_g)

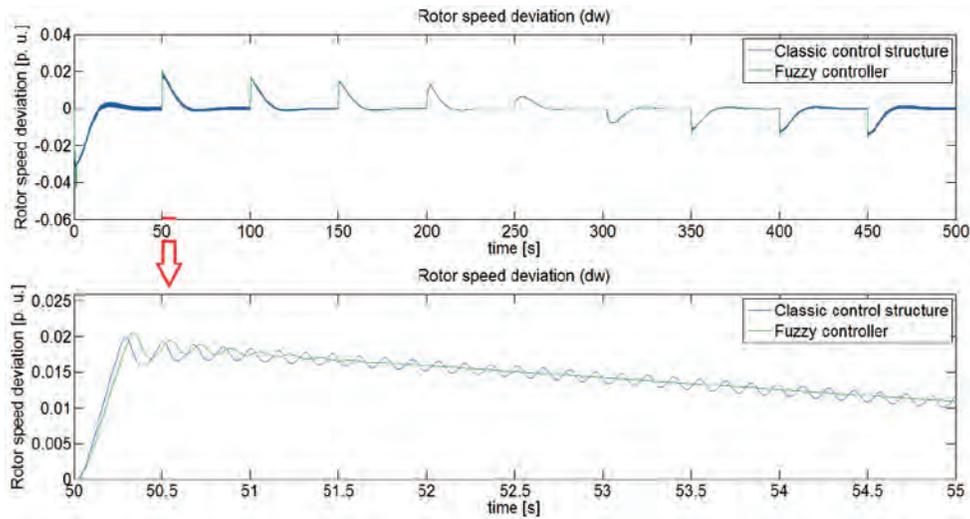


Fig. 8. Rotor speed deviation ($d\omega$)

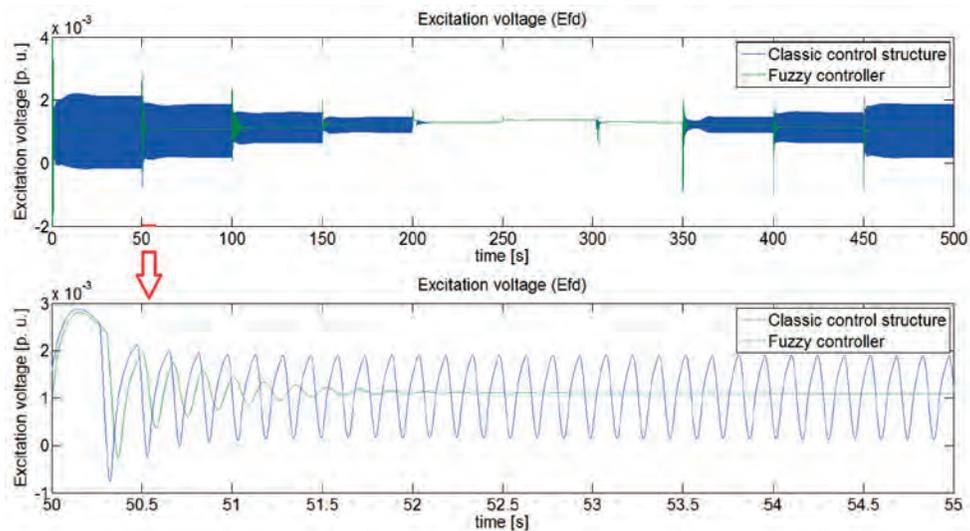


Fig. 9. Excitation voltage (E_{fd})

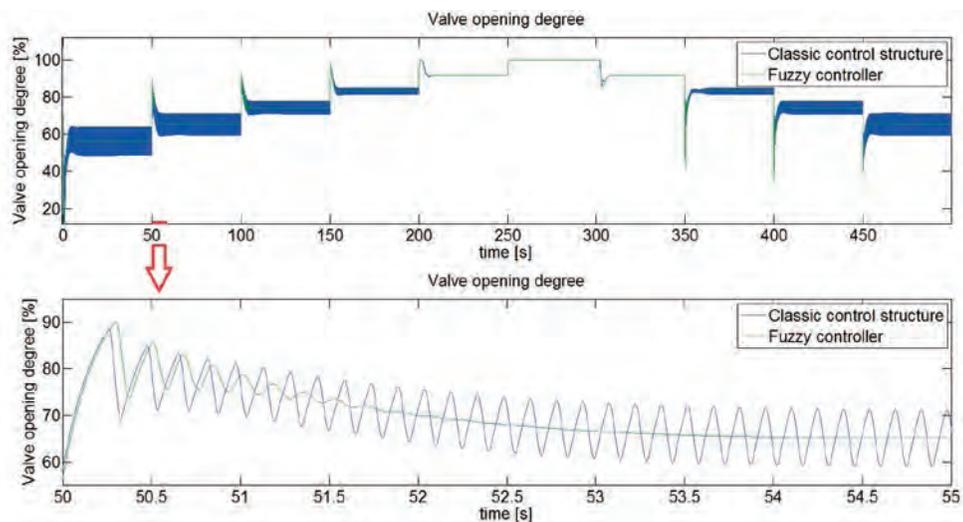


Fig. 10. Valve opening degree (α)

the operating point, the turbine power controller set point was changed stepwise within the range of 50–100% (Fig. 6). The results of the simulations are shown in Fig. 6–10.

Fig. 6 presents generator active power. Classic control system fulfills its purpose only within the range closest to the local point for which it was tuned (100%). Proposed fuzzy control system decreases the time of adjustment by enhancement of oscillation dumping with only slightly greater overshoot on contrary to the classic controller. While the value of generator active power controlled with fuzzy controller softly converge to reference power trajectory (see Fig. 6, 53–55 seconds), the classic control system generates oscillations of the signal which causes the disturbances in the power system.

Similar situation can be seen in Fig. 7 presenting the generator voltage. Classic control system results in an undamped oscillation and greater settling time and comparing with the fuzzy controller (see Fig. 7, 53–55 seconds).

It is desired that the value of rotor speed deviation, presented in Fig. 8, is maintained constant and equal to the synchronous speed of the generator (50 Hz). The proposed fuzzy control system damps the oscillations of the rotor better than a classic controller hence the turbogenerator does not generate additional disturbances to the power system. Moreover, because of the aforementioned, the work of turbogenerator as a single unit works in more homogenous conditions what positively affects the wear of devices. Please note that presented values are normalized within the range from 0 to 1, so the rotor speed deviation is less than 2.5% in the case of a fuzzy control system.

Control signals: excitation voltage and valve opening degree are shown respectively in Fig. 9 and in Fig. 10. The variability of both control signals generated by classic control structure (with an exception of a nominal operating point and its neighbourhood) is unacceptable when exploitation of actuator systems are taken into account. Proposed fuzzy control system deals with this variability by dumping the oscillations and decreasing the chattering of control signals within whole operating range.

Regarding the ITSE (Integral of Time Squared Error) and ISE (Integral of Squared Error) criterions, simulation carried out showed that the proposed fuzzy controllers were proved to be slightly better than classic control system (Tab. 2).

Besides the above, fuzzy controller on contrary to classic method, decreases the chattering of the control signal in both the steam turbine (Fig. 10) and synchronous generator (Fig. 9). The above leads to improvement in operation by decreasing the variation of

Objective function	Classic control structure	Fuzzy control structure
f_{ITSE}	145.2	144.3
f_{ISE}	0.6035	0.5985

Tab. 2. Objective function values

the actuator what reduces the transients (Fig. 6), what increases the vitality of turbogenerator. It is desired to minimize the disturbances in power system, so the rotor speed should operate in the point as close to the synchronous speed as it is possible. The deviation of rotor speed was improved as illustrated in Fig. 8. Thanks to the aforementioned, the work of turbogenerator is steadier. In order to avoid disturbing the devices in power system the compensation unit was introduced. As it is given in Fig. 7, it allows to decrease the oscillations of generator voltage.

6. Conclusions

Paper proposed an approach to design the multiregional fuzzy switched controllers of turbogenerator system that meets the assumed control objectives.

For each region a classic PI controller and lead-lag compensator have been utilized. It was proposed to tune parameters of the controller and compensator in one optimizing task. In order to take into account not only the amplitude of the oscillations, but also the rate of damping, ITSE criterion was chosen to be minimized. Performance of designed multiregional fuzzy switched controller and one-region controller and compensator (tuned in nominal operation point – 100%) have been compared. Joined approach to parameters optimisation gave very satisfying results. Classic turbine PI controller coupled with generator compensator and PID controller efficiently controls the process even far from the nominal operating point. However, it is clearly seen that the further away from the nominal point, the worse the control quality is (oscillations, steady state error).

Proposed control structure with fuzzy switched controllers and compensators allowed for significant decreasing of chattering of the control signals, with similar to classic controller values of ITSE and ISE criterions, in a wide range of operating conditions. This is very important because increases the lifetime of turbogenerator. The ongoing work focuses on improving the control structure parameters by incorporating the parameters into the optimization task, which define the shapes of the fuzzy functions and on optimal selection of weighting factors within the performance index.

Acknowledgments

This work was supported by the European Union project "INSPE – INNOVATIVE NUCLEAR AND SUSTAINABLE POWER ENGINEERING". The authors wish to express their thanks for the support.

REFERENCES

1. Duzinkiewicz K. et al., Dynamic model of nuclear power plant steam turbine, *Archives of Control Sciences* 2015, Vol. 25 (LXI), No. 1, pp. 5–26.
2. Lipo T.A., *Analysis of Synchronous Machines*, Taylor & Francis Group, Boca Raton, 2012.
3. Grote W., Ein Beitrag zur modellbasierten Regelung von Entnahmedampfturbinen. Fakultät für Maschinenbau der Ruhr-Universität Bochun, Bochun, Germany 2009 (in German).

4. Domachowski Z., Automatic control of thermal turbine sets, Wydawnictwo Politechniki Gdańskiej, Gdańsk 2011 (in Polish).
5. IEEE Power Engineering Society, IEEE Recommended Practice for Excitation Systems Models for Power System Stability Studies, IEEE, New York, 2006.
6. Machowski J., Białek J., Bumby J., Power System Dynamics: Stability and Control, John Wiley & Sons, 2008.
7. Kaczorek T., The theory of automatic control systems, Vol. 1, Wydawnictwo Politechniki Warszawskiej, Warszawa 1972 (in Polish).

Paweł Sokólski

Gdańsk University of Technology

e-mail: psokolski@eia.pg.gda.pl

PhD student at Gdańsk University of Technology at the faculty of Electrical and Control Engineering. His research is focused on nuclear power plants electrical power generation and cooperation with Power System. His professional work focuses on industrial informatics and SCADA systems.

Karol Kulkowski

Gdańsk University of Technology | Warsaw University of Technology

e-mail: kkulkow@eia.pg.gda.pl

PhD student at Gdańsk University of Technology at the faculty of Electrical and Control Engineering and Control Engineering and at Warsaw University of Technology at the faculty of Power and Aeronautical Engineering. His PhD research is focused on fault detection and fault tolerant control in nuclear power plants.

Anna Kobylarz

Gdańsk University of Technology | Warsaw University of Technology

e-mail: akobylarz@eia.pg.gda.pl

PhD student at Gdańsk University of Technology at the faculty of Electrical and Control Engineering and Control Engineering and at Warsaw University of Technology at the faculty of Power and Aeronautical Engineering. Her PhD focuses on control systems in nuclear power plants. Her research is focused on predictive control and computational intelligence.

Kazimierz Duzinkiewicz

Gdańsk University of Technology

e-mail: kazimierz.duzinkiewicz@pg.gda.pl

He obtained his MSc degree in Electrical Engineering and PhD in Control Engineering from Faculty of Electrical and Control Engineering at the Gdańsk University of Technology (GUT), in 1973 and 1982, respectively. In 2009 he obtained his Dr hab. Eng. degree in Control Engineering from the Faculty of Electrical Engineering, Control Engineering, Informatics and Electronic Engineering at the AGH University of Science and Technology. He has been employed as a university teacher starting his work in 1973 from the post of Assistant to the current position of Associate Professor in the Department of Control Engineering. Now he is the Head of the Department of Control Systems Engineering and Representative of the Rector of the GUT for the Nuclear Energy. During his research work he has published over 100 reviewed scientific papers and 50 scientific and technical reports, mainly dealing with the following problems: a) production scheduling and operational control of technological systems with switchable processes, b) computer control of electric power station in emergency conditions, c) safety and reliability analysis of hazardous systems, d) mathematical modelling of complex systems, e) multihorizon and multilevel optimisation and control structures and algorithms.

Tomasz A. Rutkowski

Gdańsk University of Technology

e-mail: tomasz.adam.rutkowski@pg.gda.pl

Graduated from Gdańsk University of Technology (GUT). He received his M.Sc. degree in control engineering and Ph.D. degree in automatic control and robotics from the Faculty of Electrical and Control Engineering at the GUT in 2000 and 2004, respectively. Now he works as an Assistant Professor at the Department of Control Systems Engineering. His main research interests cover areas of modelling, identification, computational intelligence, advanced control and diagnosis of complex systems (including critical infrastructure systems: nuclear power plants, water distribution systems and wastewater treatment systems).

Michał Grochowski

Gdańsk University of Technology

e-mail: michal.grochowski@pg.gda.pl

He received his M.Sc. degree in control engineering in 2000 from the Faculty of Electrical and Control Engineering at the Gdańsk University of Technology (GUT). In 2004 he received the Ph.D. degree in automatic control and robotics from the same university. Since 2004 he has held the position of an assistant professor at the Control Systems Engineering Department at the Gdańsk University of Technology. His research is focused on predictive control of complex systems, computational intelligence, fault detection and fault tolerant control. His current application area is nuclear power plants.

This is a supporting translation of the original text published in this issue of "Acta Energetica" on pages 83–90. When referring to the article please refer to the original text.

PL

Zaawansowane struktury sterowania systemem turbogenerators elektrowni jądrowej

Autorzy

Paweł Sokółski
Karol Kulkowski
Anna Kobylarz
Kazimierz Duzinkiewicz
Tomasz A. Rutkowski
Michał Grochowski

Słowa kluczowe

turbogenerator, turbina parowa, generator synchroniczny, elektrownia jądrowa, sterowanie rozmyte

Streszczenie

W artykule przedstawiono syntezę zaawansowanych struktur sterowania turbiną i generatorem synchronicznym dla elektrowni jądrowej pracującej w zmiennych warunkach operacyjnych (zapotrzebowanie na moc czynną). Oparta jest ona na nieliniowych modelach turbiny parowej oraz generatora synchronicznego współpracującego z systemem elektroenergetycznym. Rozważana struktura sterowania składa się z wieloobszarowych systemów sterowania rozmytego z lokalnymi liniowymi regulatorami, w tym regulatorami PID, w poszczególnych pętlach sterowania turbiny i generatora. Miękkie przełączanie pomiędzy lokalnymi regulatorami jest realizowane przez mechanizm logiki rozmytej Takagi-Sugeno-Kanga. Parametry regulatorów lokalnych były dobierane optymalnie dla wybranych *a priori* punktów pracy w zakresie 50–100% nominalnej mocy czynnej wytwarzanej przez generator synchroniczny. Wyniki symulacji pokazują, że proponowana struktura sterowania zaawansowanego przewyższa powszechnie stosowaną klasyczną strukturę sterowania (pojedyncze regulatory lokalne strojone dla nominalnego punktu pracy). W trakcie symulacji wykorzystano dane rzeczywistych urządzeń, odpowiednio: turbiny parowej 4 CK 465 i generatora synchronicznego GTHW-600, które planowano zastosować w pierwszej polskiej elektrowni jądrowej w Żarnowcu.

1. Wstęp

W obecnych czasach elektrownia jądrowa (EJ) jak również jej podsystemy, takie jak turbogenerator, podlegają często wymuszonej pracy w warunkach zmiennego zapotrzebowania na moc, co powoduje potrzebę sterowania w szerokim zakresie warunków operacyjnych. Wydajne i efektywne sterowanie turbogeneratorem w takich warunkach jest trudniejsze w porównaniu z tradycyjną pracą w stałym, nominalnym punkcie pracy (regulatory liniowe) i wymaga bardziej zaawansowanych algorytmów potrafiących sprostać wymaganiom zmieniających się warunków pracy turbogenerators.

Turbogenerator jest systemem nieliniowym o wielu wejściach i wielu wyjściach (Multi-Input Multi-Output, MIMO). Aby sprostać wymaganiom tego rodzaju systemu, zaproponowano strukturę sterowania złożoną z wielu regulatorów PI i wielu układów kompensatorów. Lokalne regulatory (turbiny) i kompensatory (generatory) są miękko przełączane wraz ze zmianą punktu pracy (mocy czynnej turbogenerators). Proces przełączania nadzoruje mechanizm wnioskowania rozmytego Takagi-Sugeno-Kanga. Parametry lokalnych regulatorów i kompensatorów dobrano w procedurze optymalizacji poprzez minimalizację uchybu trajektorii napięcia generatora, mocy czynnej i prędkości obrotowej wału generatora. Taka struktura zapewnia wysoką jakość sterowania, spełniając przy tym postulat zmiennych warunków pracy turbogenerators. W rozpatrywanym przypadku gwarantuje się optymalną pracę układu sterowania (minimalizując całą kwadratową uchybu mnożonego przez czas – kryterium ITSE) w szerokim zakresie zmian punktu pracy przy zadaniu utrzymywania trajektorii mocy czynnej, stabilizacji napięcia i tłumieniu oscylacji na wale generatora.

W artykule przedstawiono wyniki symulacji działania turbogenerators przeprowadzone dla skokowej zmiany zapotrzebowania na moc czynną generatora z wykorzystaniem zaproponowanych struktur regulatora rozmytego zarówno dla turbiny parowej, jak i generatora synchronicznego. Ich efektywność została porównana z klasyczną strukturą sterowania turbogenerators składającą się z lokalnych regulatorów strojonych w nominalnym punkcie pracy.

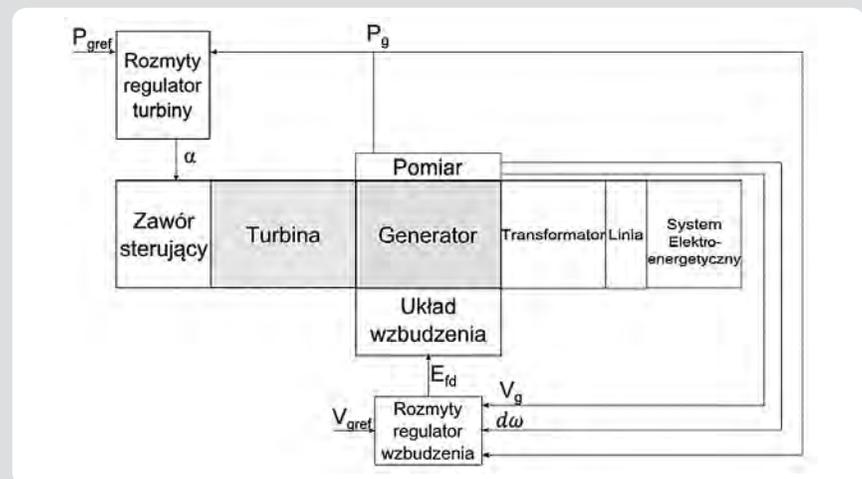
2. Model systemu elektroenergetycznego

Proponowaną strukturę sterowania oceniano, wykorzystując układ jednomaszynowy pracujący z siecią sztywną (rys. 1). Składa się on z turbiny parowej, generatora synchronicznego, transformatora, linii

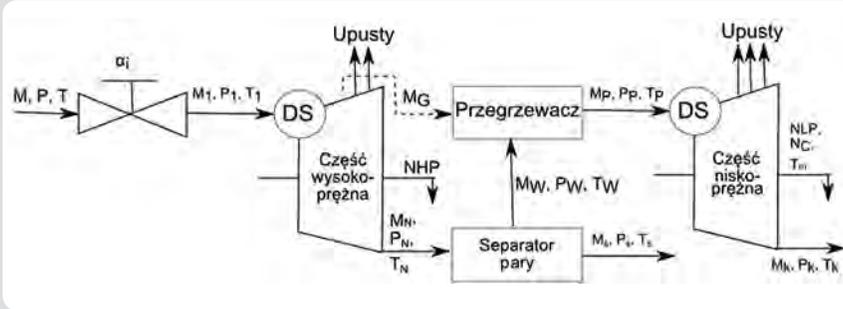
transmisyjnej i systemu (sieci) elektroenergetycznego. Model matematyczny każdego z elementów rozpatrywanego systemu elektroenergetycznego krótko opisano w dalszych rozdziałach. Strukturę sterowania systemu turbogenerators przedstawiono na rys. 1.

a) Model turbiny parowej

Schemat modelu turbiny parowej, przedstawiony wcześniej w [1], zaprezentowano na rys. 2. Wielkościami wejściowymi modelu są: ciśnienie dolotowe P zaworu regulacyjnego turbiny parowej oraz stopień otwarcia zaworu α_i . Stopień otwarcia zaworu rozumiany jest jako powierzchnia otwarcia zaworu. Dynamiczny nieliniowy model turbiny parowej składa się z modeli



Rys. 1. Turbogenerator z systemem sterowania, podłączony do systemu elektroenergetycznego poprzez transformator i linię elektroenergetyczną



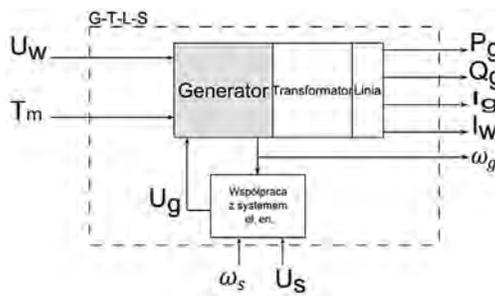
Rys. 2. Schemat turbiny parowej (M – przepływy masowe, P – ciśnienia, T – temperatury, N – moce teoretyczne, T_m – moment obrotowy)

pomniejszych części i urządzeń turbiny parowej EJ takich jak: część wysokoprężna i niskoprężna turbiny, przegrzewacz międzystopniowy i separator pary. Turbina sterowana jest poprzez dławienie pary dolotowej przy użyciu zaworu sterującego umieszczonego na wejściu części wysokoprężnej turbiny. Dodatkowo w modelu uwzględniono dynamikę układu wykonawczego, wykorzystując inercję pierwszego rzędu [1]. Zmienną łączącą wzajemnie model turbiny z modelem generatora jest moment obrotowy turbiny T_m , który jest bezpośrednio związany z aktualną mocą turbiny i pochodną prędkości obrotowej wału (której nominalna wartość zgodnie z założeniami wynosi 50 obr./sek.).

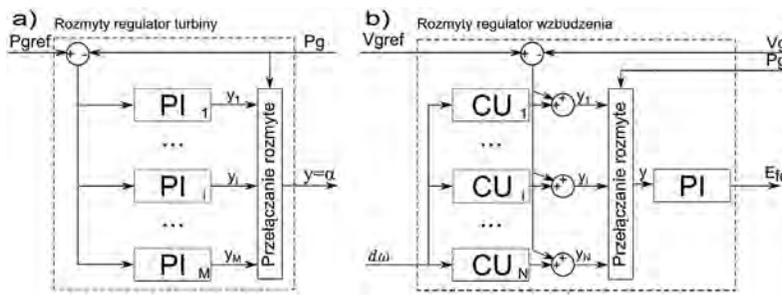
b) Model generatora synchronicznego przyłączonego do systemu elektroenergetycznego

Wykorzystano nieliniowy model piątego rzędu generatora synchronicznego [2] współpracującego z systemem elektroenergetycznym zdefiniowany we współrzędnych dq0 (transformacja Parka). Zakłada się

nieskończoną sztywność systemu elektroenergetycznego. Wielkościami wejściowymi generatora są: moment mechaniczny na wale T_m , napięcie wzbudzenia U_w , napięcie generatora U_s i częstotliwość ω_s związana ze współpracą generatora z systemem elektroenergetycznym. Wielkościami wyjściowymi są: prąd generatora I_g (definiujący wpływ generatora na system elektroenergetyczny), moce czynna i bierna P_g i Q_g oraz prędkość obrotowa wału generatora ω_g (rys. 3). Zmienne otoczenie, w jakim pracuje generator, jest zdefiniowane jako zmiana wielkości wejściowych generatora spowodowana pracą systemu elektroenergetycznego (nie uwzględnia się warunków awaryjnych). Oznacza to: zmianę zapotrzebowania na moc czynną (zmiana momentu mechanicznego wału generatora), mocy biernej (zmiana napięcia wzbudzenia) i zmiany w systemie elektroenergetycznym, takie jak zmiana wartości i/lub częstotliwości napięcia systemu elektroenergetycznego. W przedstawionej analizie wykorzystano parametry turbiny parowej 4 CK 465 i generatora synchronicznego GTHW-600.



Rys. 3. Schemat: Generator – Transformator – Linia przesyłowa – System elektroenergetyczny



Rys. 4. Struktury rozmytego regulatora turbiny (a) i rozmytego regulatora wzbudzenia (b) (CU – jednostka korekcyjna)

3. Struktura sterowania

Na pracę generatora można wpływać poprzez zmianę prędkości obrotowej wału i zmianę napięcia wzbudzenia. Regulator turbiny jest odpowiedzialny za utrzymywanie prędkości synchronicznej poprzez zmianę przepływu pary na wejściu do turbiny, który wpływa na moment napędowy wału generatora. Zmiany prędkości są związane ze zmianą obciążenia mocy czynnej generatora. Obciążenie mocą bierną wpływa na napięcia generatora. System sterowania wzbudzeniem generatora jest odpowiedzialny za utrzymanie odpowiedniej wartości napięcia. Biorąc pod uwagę nieliniowość systemu, konieczne jest opracowanie strategii sterowania, która jest stosunkowo niewrażliwa na zmienne warunki pracy. Jednym z możliwych rozwiązań tego problemu, zapewniającym wysoką jakość sterowania, jest równoległe wykorzystanie różnych regulatorów liniowych dobranych dla różnych poziomów mocy czynnej. Rodzi to potrzebę wyznaczenia wartości wielkości sterującej dla wartości mocy pomiędzy tymi punktami pracy. Jako narzędzie zdolne wyznaczyć tę wartość sterowania wybrano mechanizm wnioskowania rozmytego Takagi-Sugeno-Kanga, który waży odpowiednio wyjścia przełączanych regulatorów w zależności od poziomu mocy czynnej generatora. Strukturę systemu sterowania turbogeneratora zaprezentowano na rys. 1, zaś struktury zaproponowanego rozmytego regulatora turbiny i rozmytego regulatora układu wzbudzenia zostały zaprezentowane na rys. 4.

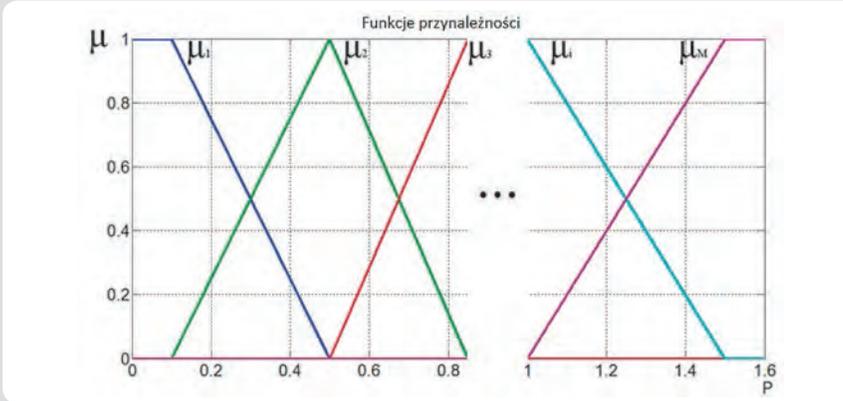
Wejściami rozmytego regulatora turbiny są: moc referencyjna P_{gref} , mierzone wyjście mocy elektrycznej turbogeneratora P_g , zaś kąt otwarcia zaworu α jest jego wyjściem (rys. 4a). Na wejścia systemu regulacji układu wzbudzenia składają się: mierzone wyjście mocy elektrycznej turbogeneratora P_g , napięcie referencyjne V_{gref} , mierzone napięcie V_g i odchylenie prędkości obrotowej. Wyjściem regulatora jest napięcie wzbudzenia E_{fd} (rys. 4b).

Umożliwia to gładkie przejście pomiędzy dwoma układami regulacji poprzez obliczenie średniej ważonej ich wyjść. Stąd wyjście systemu sterowania jest wypadkową z wyjść optymalnie dostrojonych, lokalnych regulatorów w sąsiednich punktach pracy. Wyjście rozmytych regulatorów odpowiednio dla turbiny parowej i generatora są znormalizowaną średnią ważoną wyjść utworzonych regulatorów lokalnych:

$$y = \frac{\sum_{k=1}^M \mu_k y_k}{\sum_{k=1}^M \mu_k} \tag{1}$$

gdzie: μ_k – wartość funkcji przynależności k -tego systemu sterowania, y_k – wektor wyjścia k -tego systemu sterowania, M – liczba wybranych punktów pracy.

Aktualna wartość μ_k oraz y_k jest obliczana na podstawie stanu obiektu. W związku z tym wartość wyjścia regulatora rozmytego zależy od kształtu funkcji przynależności (rys. 5). W tym przypadku dla obu regulatorów wybrana została trapezoidalna funkcja przynależności. Funkcje te wybrano w taki sposób, że dla każdego poziomu mocy czynnej ich suma jest równa jedności. Rozmyty regulator turbiny składa się z wielu regulatorów PI, których liczba jest



Rys. 5. Funkcje przynależności

równa liczbie wybranych punktów pracy. Na potrzeby syntezy struktury sterowania przedstawionej na rys. 4a zaproponowano powszechnie znany sposób sterowania turbiną poprzez dławienie pary dolotowej [3] z zadaniem nadążania za trajektorią zadaną mocy generatora [4]. Każdy regulator PI optymalnie dostrojono, stosując minimalizację kryterium ITSE dla jednego z punktów pracy. Należy pamiętać, że wielkością zadaną jest zapotrzebowanie na moc elektryczną, dlatego też pętla regulatora turbiny sprzężona jest z mocą czynną generatora, a nie mocą turbiny.

Typowy układ sterowania napięciem generatora zawiera regulator napięcia wzbudzenia, ograniczniki i stabilizator systemowy [5]. Stabilizator systemowy (ang. *PSS, Power System Stabilizer*) jest członem korygującym, który wpływa na wartość zadaną regulatora napięcia. Układ regulacji napięcia może osłabić tłumienie oscylacji poprzez zaindukowanie dodatkowych prądów przeciwnych do zaindukowanych już przez zmianę prędkości obrotowej. Korekta wprowadzona przez PSS jest obliczana na podstawie zmiany prędkości obrotowej, częstotliwości lub mocy czynnej, wprowadza to dodatkową pętlę sterowania do systemu i jest wykorzystywane w celu tłumienia oscylacji wirnika [6]. Podstawowy PSS jest zestawem filtrów wyprzedzająco-opóźniających ułożonych kaskadowo [5]. Aby uwzględnić więcej niż jedno pasmo, stosuje się rozwiązania wielotorowe i wielopasmowe [5]. Aby uwzględnić różne pasma dla różnych punktów pracy (poziomów mocy czynnej), zaproponowano rozmyty stabilizator systemowy (rys. 4b) zawierający zestaw miękko przełączanych filtrów prostych (jednostka korekcyjna w postaci kompensatora wyprzedzająco/opóźniającego [7]):

$$CU(s) = \frac{1+sT_1}{1+sT_2} \quad (2)$$

dla: $T_2 > T_1$ CU nazywany jest kompensatorem opóźniającym, a gdy $T_2 < T_1$ CU jest kompensatorem wyprzedzającym, odpowiednio zmieniając charakterystykę fazową. Optymalne wartości parametrów T_1 i T_2 zostały wyznaczone dla różnych poziomów mocy czynnej generatora, minimalizując oscylacje wału. Parametry regulatora PI układu wzbudzenia zostały dobrane optymalnie dla nominalnego punktu pracy.

Stabilizator systemowy ma na tyle duży wpływ na wyjście regulatora rozmytego, że dodatkowe miękkie przełączenie między regulatorami PI nie poprawia wydajności systemu, przez co wybrano i nastrojono tylko jeden regulator dla $P_g = 100\%$.

4. Optymalny dobór parametrów

Jako kryterium doboru optymalnych nastaw parametrów lokalnych regulatorów zastosowano całkę z kwadratu sumy odchylenia napięcia i pochodnej prędkości pomnożonego razy czas (ITSE). Kryterium to pozwala na ocenę dokładności stabilizacji napięcia i jego stabilizacji w czasie, uwzględniając zwiększającą się wagę błędów w kolejnych chwilach czasowych. W odróżnieniu od kryterium ISE (całka z kwadratu uchybu), kryterium ITSE pozwala uwzględnić nie tylko amplitudę oscylacji, ale również współczynnik tłumienia (czas zachowuje się jak waga). Parametry optymalne zostały określone na podstawie rozwiązania następującego problemu optymalizacji:

$$\min_{K_p, K_i, T_1, T_2} \int_{t_1}^{t_2} \left[a \cdot e_U^2(t, K_p, K_i, T_1, T_2) \cdot t + b \cdot d\omega^2(t, K_p, K_i, T_1, T_2) \cdot t + c \cdot e_P^2(t, K_p, K_i, T_1, T_2) \cdot t \right] dt \quad (3)$$

biorąc pod uwagę: $K_p, K_i > 0$; $T_1, T_2 < 10$; $T_1, T_2 > 0,001$, ograniczenia modelu turbogeneratora, testową trajektorię mocy czynnej generatora (zmieniającą się w otoczeniu wybranego punktu pracy) oraz wartości referencyjne napięcia generatora i prędkości wału,

gdzie: e_U – uchyb napięcia generatora ($U_{\text{gref}} - U_g$); e_P – uchyb mocy czynnej generatora ($P_{\text{gref}} - P_g$); $d\omega$ – zmiana prędkości wału generatora; t_1, t_2 – czas zakłócenia i końcowy czas analizy; K_p, K_i – parametry regulatora PI turbiny; T_1, T_2 – parametry regulatora wzbudzenia generatora; a, b, c – wagi.

Funkcja celu (3) składa się z trzech ważnych części. Pierwsza część (a) odpowiada uchybowi napięcia generatora. Determinuje ona, jak silna jest akcja regulatora stabilizującego napięcie. Druga część (b) jest związana ze zmianami prędkości obrotowej wału generatora i umożliwia uwzględnienie występowania oscylacji wału w procesie strojenia. Oscylacje te wywołane są oddziaływaniem regulatora napięcia, im szybsza jest regulacja napięcia, tym większe powoduje to oscylacje. Oznacza to, że stabilizacja napięcia i minimalizacja oscylacji wału są wzajemnie sprzeczne. W celu zrównoważenia skutków regulacji napięcia i stabilizacji wału dodano współczynniki skalujące, tak aby osiągnąć kompromis pomiędzy tymi dwoma działaniami układu sterowania. Ostatnia część (c) zapewnia optymalne nadążanie dzięki zastosowaniu trajektorii schodkowej z 5-proc. odchyleniem od wybranego w procesie optymalizacji punktu pracy.

Celem badań i eksperymentu przedstawionego w tym artykule było zaproponowanie struktury sterowania dla opisanego problemu i porównanie jej efektywności z rozwiązaniem klasycznym. Struktura ta została zweryfikowana poprzez symulację cyfrową w środowisku Matlab/Simulink. Optymalne wartości parametrów regulatorów: wzmocnienie proporcjonalne K_p i wzmocnienie całkowania K_i regulatora PI turbiny i parametry regulatora wzbudzenia generatora T_1, T_2 wyznaczone poprzez rozwiązanie serii zadań optymalizacji dla wybranych punktów pracy (50%, 75% i 100%) (3). Wartości parametrów regulatora PI, rozmytego regulatora układu wzbudzenia generatora, zostały wyznaczone dla nominalnego punktu pracy (100%). Aby obliczyć wartość funkcji celu f_{ITSE} , należało rozwiązać układ równań turbogeneratora z uwzględnieniem nieliniowego modelu systemu wyrażonego zestawem równań algebraicznych i różniczkowych (4):

$$\begin{cases} \dot{x} = f(x, t, K_p, K_i, T_1, T_2) \\ y = f_{itse}(x, t) \end{cases} \quad (4)$$

Parametry regulatorów i kompensatorów dostrojono razem, rozwiązując jedno zadanie optymalizacji. Problem ten opisuje

Struktura sterowania	Moc czynna	Turbina		Stabilizator		Generator	
		K_p	K_i	T_1	T_2	K_p	K_i
Klasyczna	100%	1,4346*10 ³	2,1381*10 ³	10	3,5	100	10
	50%	879,43	1791,80	10	3,4349	100	10
	75%	1,3368*10 ⁴	0,7795*10 ⁴	10	4	100	10
Rozmyta	100%	1,4346*10 ³	2,1381*10 ³	10	3,5	100	10

Tab. 1. Parametry regulatorów

się jako nieliniowe zadanie optymalizacji z ograniczeniami. W procesie optymalizacji parametrów zastosowano algorytm punktu wewnętrznego. Wyniki poszczególnych optymalizacji dla wybranych punktów pracy przedstawiono w tab. 1.

5. Wyniki badań symulacyjnych

Przeprowadzono porównanie zaproponowanej metody sterowania (rozdz. 3) z metodą klasyczną z regulatorem strojonym dla nominalnego punktu pracy. W celu analizy działania zaprojektowanych układów sterowania w warunkach oddalonych od nominalnego punktu pracy zastosowano schodkową trajektorię mocy zadanej dla regulatora turbiny w zakresie 50–100% (rys. 6). Wyniki symulacji przedstawiono na rys. 6–10.

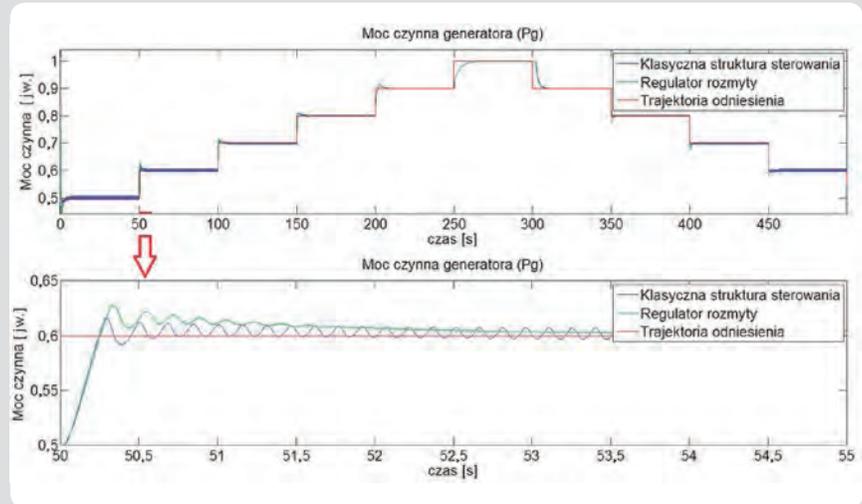
Rys. 6 przedstawia przebieg mocy czynnej generatora. Klasyczny układ sterowania spełnia postawione przed nim zadanie tylko w zakresie bliskim wartości nominalnej, dla której był strojony (100%). W przeciwieństwie do klasycznego układu regulacji, zaproponowany rozmyty system regulacji skracza czas regulacji wraz ze zwiększeniem tłumienia oscylacji kosztem niewielkiego wzrostu przeregulowania. Podczas gdy wartość mocy czynnej generatora, sterowana z wykorzystaniem regulatora rozmytego, łagodnie zbiega do trajektorii mocy zadanej (patrz rys. 6, 53–55 sekunda), klasyczny układ regulacji generuje oscylacje sygnału, co wprowadza zakłócenia w systemie elektroenergetycznym.

Pożądanym jest, aby wartość odchylenia prędkości obrotowej, prezentowanej na rys. 8, utrzymywała się na stałym poziomie, równym prędkości synchronicznej (50 Hz). Zaproponowany rozmyty układ sterowania dużo lepiej tłumia oscylacje wirnika niż klasyczny układ regulacji, dzięki czemu turbogenerator nie generuje dodatkowych zakłóceń w systemie elektroenergetycznym. Ponadto, dzięki powyższemu, praca turbogeneratora jako całości jest wykonywana w bardziej jednorodnych warunkach, co wpływa pozytywnie na zużycie urządzeń. Warto zauważyć, że prezentowane wartości są znormalizowane w zakresie od 0 do 1, więc odchylenie prędkości wirnika jest mniejsze niż 2,5% w przypadku regulacji rozmytej.

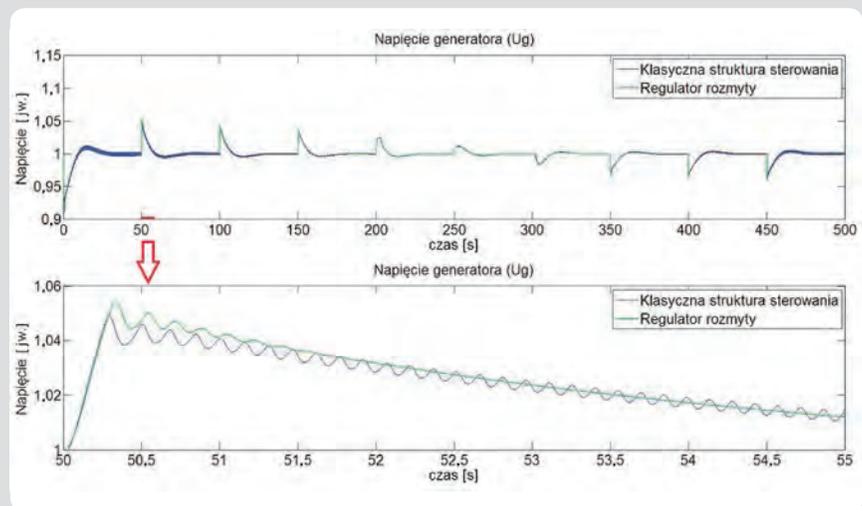
Sygnaly sterujące: napięcie wzbudzenia i stopień otwarcia zaworu zostały przedstawione odpowiednio na rys. 9 i 10. Zmienność obu sygnałów w przypadku klasycznego układu sterowania (z wyjątkiem nominalnego punktu pracy i jego otoczenia) jest nieakceptowana, biorąc pod uwagę eksploatację układów wykonawczych. Zaproponowany układ sterowania rozmytego radzi sobie z tą zmiennością, tłumiąc oscylacje i zmniejszając zjawisko typu *chattering* sygnałów sterujących w całym zakresie warunków operacyjnych.

Odnosząc się do kryteriów ITSE (ang. *Integral of Time Squared Error*) i ISE (ang. *Integral of Squared Error*) przeprowadzone symulacje pokazują, że zaproponowany rozmyty układ sterowania jest nieznacznie lepszy od klasycznego układu sterowania (tab. 2).

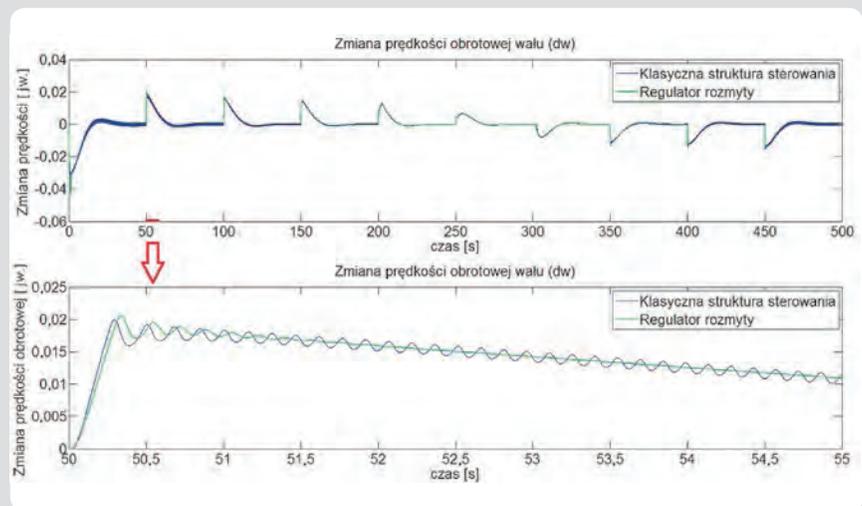
Ponadto rozmyty układ sterowania



Rys. 6. Moc czynna generatora (P_g)



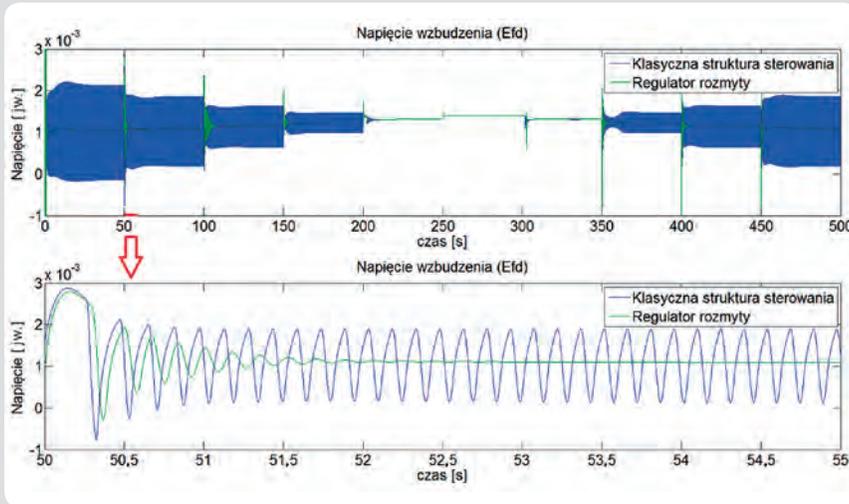
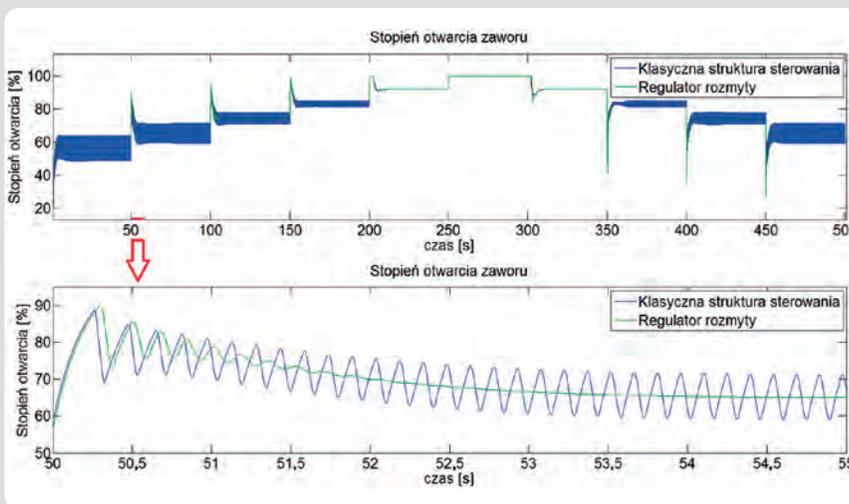
Rys. 7. Napięcie generatora (U_g)



Rys. 8. Odchylenie prędkości wirnika ($d\omega$)

w przeciwieństwie do rozwiązania klasycznego zmniejsza *chattering* sygnałów sterujących zarówno w turbinie (rys. 10),

jak i w generatorze (rys. 9). Prowadzi to do poprawy warunków eksploatacji poprzez zmniejszenie intensywności

Rys. 9. Napięcie wzbudzenia (E_{fd})Rys. 10. Stopień otwarcia zaworu (α)

Funkcja celu	Klasyczny układ sterowania	Rozmyty układ sterowania
f_{ITSE}	145,2	144,3
f_{ISE}	0,6035	0,5985

Tab. 2. Wartości funkcji celu

działania układów wykonawczych, co redukuje stany przejściowe (rys. 6) i zwiększa żywotność turbogeneratora. Minimalizowanie generowanych zakłóceń w systemie elektroenergetycznym jest pożądane, więc prędkość wirnika powinna być jak najbardziej zbliżona do prędkości synchronicznej. Odchylenie prędkości obrotowej wirnika uległo poprawie, co można zaobserwować na rys. 8. Dzięki temu praca turbogeneratora jest bardziej stabilna. Aby zmniejszyć występowanie zakłóceń oddziałujących na urządzenia pracujące w systemie elektroenergetycznym, wprowadzono człon korekcyjny w postaci kompensatora. Jak pokazano na rys. 7, pozwala on zmniejszyć

pojawiające się oscylacje napięcia generatora.

6. Wnioski

W artykule zaproponowano podejście do projektowania wieloobszarowych, przełączanych w sposób rozmyty regulatorów systemu turbogeneratora, które spełniają założone cele sterowania.

W każdym ze zidentyfikowanych regionów zastosowano klasyczny regulator PI i kompensator wyprzedzająco/opóźniający. Zaproponowano strojenie parametrów regulatora i kompensatora w zakresie pojedynczego zadania optymalizacji. Aby wziąć pod uwagę nie tylko amplitudę oscylacji, lecz również współczynnik tłumienia, zastosowano minimalizację kryterium ITSE. Porównano zaprojektowany regulator wieloobszarowy z przełączaniem rozmytym, z regulatorem lokalnym i kompensatorem (strojonymi w punkcie nominalnym 100%). Optymalny dobór parametrów regulatora w jednym zintegrowanym zadaniu optymalizacji dał bardzo zadowalające rezultaty. Klasyczny regulator PI z układem kompensatora generatora oraz regulatorem PI turbiny pozwala na regulację nawet w obszarach odległych od punktu nominalnego.

Widoczne jest jednak pogorszenie jakości sterowania (oscylacje, błąd w stanie ustalonym) poza nominalnym punktem pracy. Zaproponowany rozmyty układ sterowania pozwala na znaczne zmniejszenie zjawiska *chatteringu* występującego w sygnałach sterujących, przy zachowaniu nie gorszych niż w przypadku regulacji klasycznej wartości wskaźników jakości ITSE i ISE w szerokim zakresie roboczym pracy turbogeneratora. Jest to istotne, gdyż wpływa na zwiększenie żywotności turbogeneratora. W ramach dalszych prac planuje się optymalizację kształtów funkcji przynależności oraz współczynników wagowych funkcji celu.

Podziękowania

Praca ta została wsparta projektem Unii Europejskiej „INSPE – INNOVATIVE AND SUSTAINABLE POWER ENGINEERING”. Autorzy pragną wyrazić podziękowanie za udzielone wsparcie.

Bibliografia

- Duzinkiewicz K. i in., Dynamic model of nuclear power plant steam turbine [Dynamiczny model turbiny parowej], Archives of Control Sciences 2015, tom 25(LXI), nr 1, s. 5–26.
- Lipo T.A., Analysis of Synchronous Machines [Analiza maszyn synchronicznych], Taylor & Francis Group, Boca Raton 2012.
- Grote W., Ein Beitrag zur modellbasierten Regelung von Entnahmedampfturbinen. Fakultät für Maschinenbau der Ruhr-Universität Bochum, Bochum, Niemcy 2009 [po niemiecku].
- Domachowski Z., Regulacja automatyczna turbozespołów cieplnych, Wydawnictwo Politechniki Gdańskiej, Gdańsk 2011.
- IEEE Power Engineering Society: IEEE Recommended Practice for Excitation Systems Models for Power System Stability Studies [Zalecana przez IEEE praktyka modelowania układów wzbudzenia dla celów badania stabilności systemu elektroenergetycznego], IEEE, Nowy Jork, 2006.
- Machowski J., Białek J., Bumby J., Power System Dynamics: Stability and Control [Dynamika systemu elektroenergetycznego: stabilność i regulacja], John Wiley & Sons, 2008.
- Kaczorek T., Teoria układów regulacji automatycznej, t. 1, Wydawnictwo Politechniki Warszawskiej, Warszawa 1972.

Paweł Sokólski

mgr inż.
Politechnika Gdańska
e-mail: psokolski@eia.pg.gda.pl

Doktorant na Wydziale Elektrotechniki i Automatyki Politechniki Gdańskiej. Jego badania koncentrują się na obszarze wytwarzania energii elektrycznej w elektrowniach jądrowych i ich współpracy z systemem elektroenergetycznym. W pracy eksperckiej skupia się na informatyce przemysłowej oraz systemach SCADA.

Karol Kulkowski

mgr inż.
Politechnika Gdańska, Politechnika Warszawska
e-mail: kkulkow@eia.pg.gda.pl

Doktorant na Wydziale Elektrotechniki i Automatyki Politechniki Gdańskiej. Jego dysertacja dotyczy wykrywania uszkodzeń i sterowania odpornego na uszkodzenia w elektrowniach jądrowych.

Anna Kobylarz

mgr inż.
Politechnika Gdańska, Politechnika Warszawska
e-mail: akobylarz@eia.pg.gda.pl

Doktorantka na Wydziale Elektrotechniki i Automatyki Politechniki Gdańskiej. Jej dysertacja dotyczy układów sterowania w elektrowniach jądrowych. W swych badaniach koncentruje się na sterowaniu predykcyjnym i inteligencji obliczeniowej.

Kazimierz Duzinkiewicz

dr hab. inż.
Politechnika Gdańska
e-mail: kazimierz.duzinkiewicz@pg.gda.pl

Tytuł magistra elektrotechniki i doktorat z automatyki uzyskał na Wydziale Elektrotechniki i Automatyki Politechniki Gdańskiej (1973, 1982), a tytuł dr. hab. inż. automatyki na Wydziale Elektrotechniki, Automatyki, Informatyki i Elektroniki Akademii Górniczo-Hutniczej (2009). Od 1973 roku nauczyciel akademicki. Kierownik Katedry Inżynierii Systemów Sterowania i przedstawiciel rektora PG ds. energii jądrowej. Opublikował ponad 100 recenzowanych artykułów naukowych oraz 50 raportów naukowych i technicznych, głównie dotyczących następujących problemów: planowanie produkcji i sterowanie operacyjne w systemach technologicznych z przełączanymi procesami, sterowanie komputerowe elektrownią w warunkach awaryjnych, analiza bezpieczeństwa i niezawodności systemów niebezpiecznych, matematyczne modelowanie złożonych systemów oraz struktury i algorytmy wielohoryzontalnej i wielopoziomowej optymalizacji i sterowania.

Tomasz A. Rutkowski

dr inż.
Politechnika Gdańska
e-mail: tomasz.adam.rutkowski@pg.gda.pl

Absolwent Politechniki Gdańskiej. Uzyskał tytuł mgr. inż. w dziedzinie automatyki oraz dr. inż. w dziedzinach automatyki i robotyki na Wydziale Elektrotechniki i Automatyki (2000, 2004). Adiunkt w Katedrze Inżynierii Systemów Sterowania. Jego główne zainteresowania badawcze obejmują obszary modelowania, identyfikacji, inteligencji obliczeniowej, zaawansowanego sterowania i diagnostyki systemów złożonych (w tym systemów infrastruktury krytycznej: elektrownie jądrowe, systemy dystrybucji wody i systemy oczyszczania ścieków).

Michał Grochowski

dr inż.
Politechnika Gdańska
e-mail: michal.grochowski@pg.gda.pl

Uzyskał tytuł mgr. inż. w dziedzinie automatyki na Wydziale Elektrotechniki i Automatyki Politechniki Gdańskiej (2000). Tytuł dr. inż. w dziedzinach automatyki i robotyki otrzymał na tej samej uczelni (2004). Od 2004 roku adiunkt w Katedrze Inżynierii Systemów Sterowania Politechniki Gdańskiej. Jego badania koncentrują się na sterowaniu predykcyjnym złożonymi systemami, inteligencji obliczeniowej, wykrywaniu uszkodzeń i sterowaniu odpornym na uszkodzenia. Obecny obszar zastosowań to elektrownie jądrowe.